

# LED Indicators

## 3mm Prominent or Recessed

**multicomp** PRO



### Specification Table

Colour	Typical Lumination Intensity (mcd) at $I_F = 20\text{mA}$	$V_F$ (Typical) (V)	$I_F$ (Maximum) (mA)	Refer Drawing	Part Number
Green	30	2 to 2.6	45	D	MC19050001
Pure Orange	20		30	C	MC19041008
	27			D	MC19051008

Operating Temperature ( $T_{OP}$ ) : -55°C to +70°C

Storage Temperature ( $T_{STG}$ ) : -55°C to +100°C

The Led indicator is available in bright or black chrome reflector. The 7th digit has to be coded with 0 or 1

Bright chrome = 0

Black chrome = 1

Example : MC19050001 Green with bright chrome  
MC19041008 Green with black chrome

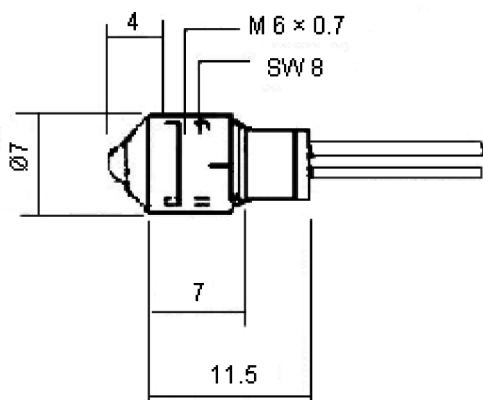
A range of panel mounting LED indicators in high quality bright chrome or black chrome plated brass housings.

Fitted with fixing nut and washer

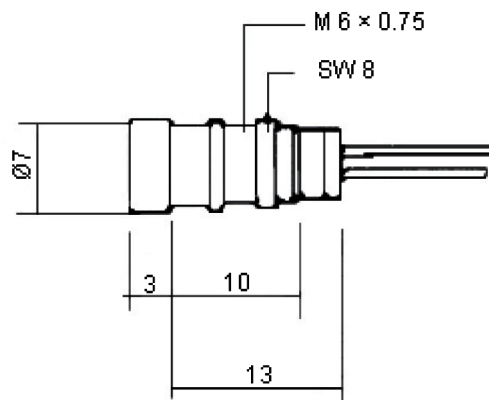
Bezel = 4 × 7 diameter (prominent), 3 × 7 diameter (recessed). Total L behind bezel = 11.5 (prominent) 13 (recessed).

Mounting hole diameter = 6 shorter lead cathode

Drawing Number - A



Drawing Number - B

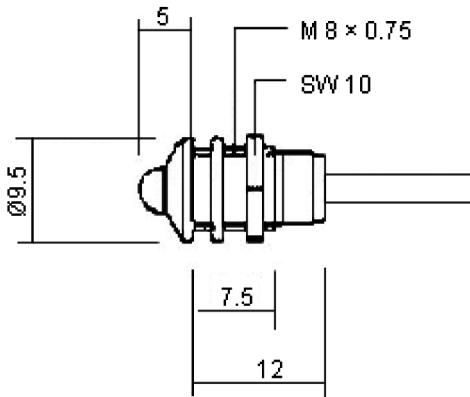


# LED Indicators

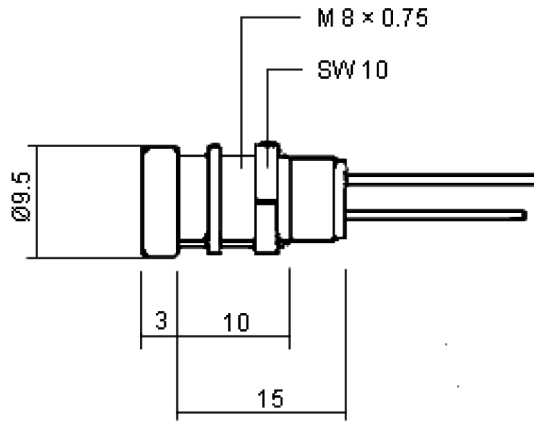
## 3mm Prominent or Recessed



Drawing Number - C



Drawing Number - D



### Part Number Table

Description	Part Number
LED Panel Mount Indicator, Green, 2.6V DC, 8mm, 45mA	MC19050001
LED Panel Mount Indicator, Orange, 2.6V DC, 8mm, 30mA	MC19041008
LED Panel Mount Indicator, Orange, 2.6V DC, 5mm LED, 8mm Hole, 30mA	MC19051008

**Important Notice :** This data sheet and its contents (the "Information") belong to the members of the AVNET group of companies (the "Group") or are licensed to it. No licence is granted for the use of it other than for information purposes in connection with the products to which it relates. No licence of any intellectual property rights is granted. The Information is subject to change without notice and replaces all data sheets previously supplied. The Information supplied is believed to be accurate but the Group assumes no responsibility for its accuracy or completeness, any error in or omission from it or for any use made of it. Users of this data sheet should check for themselves the Information and the suitability of the products for their purpose and not make any assumptions based on information included or omitted. Liability for loss or damage resulting from any reliance on the Information or use of it (including liability resulting from negligence or where the Group was aware of the possibility of such loss or damage arising) is excluded. This will not operate to limit or restrict the Group's liability for death or personal injury resulting from its negligence. Multicomp Pro is the registered trademark of Premier Farnell Limited 2019.

Newark.com/multicomp-pro  
 Farnell.com/multicomp-pro  
 Element14.com/multicomp-pro

