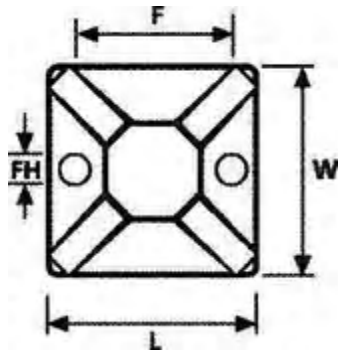


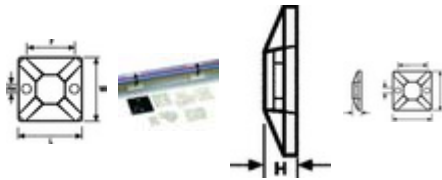
MB4A

151-28412



Each mount is designed to offer the maximum surface area, and in conjunction with the specially developed adhesive ensure that a very high pull-off force is achieved. The MB mounts offer '4-way' entry for the cable tie enabling quicker and more flexible installation.

Where speed, simplicity, and a firm fixing base are required these self adhesive clips are ideal. Particularly suitable for use in control cabinets, telecoms equipment or domestic appliances where the use of holes, screws, or nuts and bolts is impractical or undesirable.



Base Data

Colour

Black (BK)

Label E-Number Finland

13 574 04

Label E-Number Norway

13 302 22

Label E-Number Sweden

15 164 12

Package Content

100

Quantity per

Bag

Material and Specifications

Adhesive

Synthetic rubber with base of Polyethylene foam

Adhesive Operating Temperature (Metric)

-40 °C to +60 °C

Flammability

UL94 V2 (excluding adhesive)

Material

Polyamide 6.6 (PA66)

Material Shortcut

PA66

Operating Temperature (Metric)

-40 °C to +85 °C Continuous, (+105 °C for 500 h)

ROHS Conformity

TRUE

Shortcut Adhesive

Synthetic rubber

Product Dimensions

Cable Tie Width max. (metric)

5.4

ETIM30Key

EC000449

Fixing Hole Centres L (Metric)

20.2

Height H (Metric)

4.7

Hole

4.0

Length L (Metric)

28.0

Thickness of Adhesive TA

0.8

Width W (Metric)

28.0

© HellermannTyton 2006