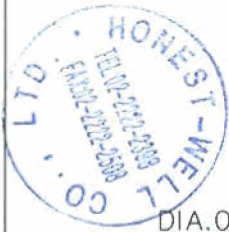
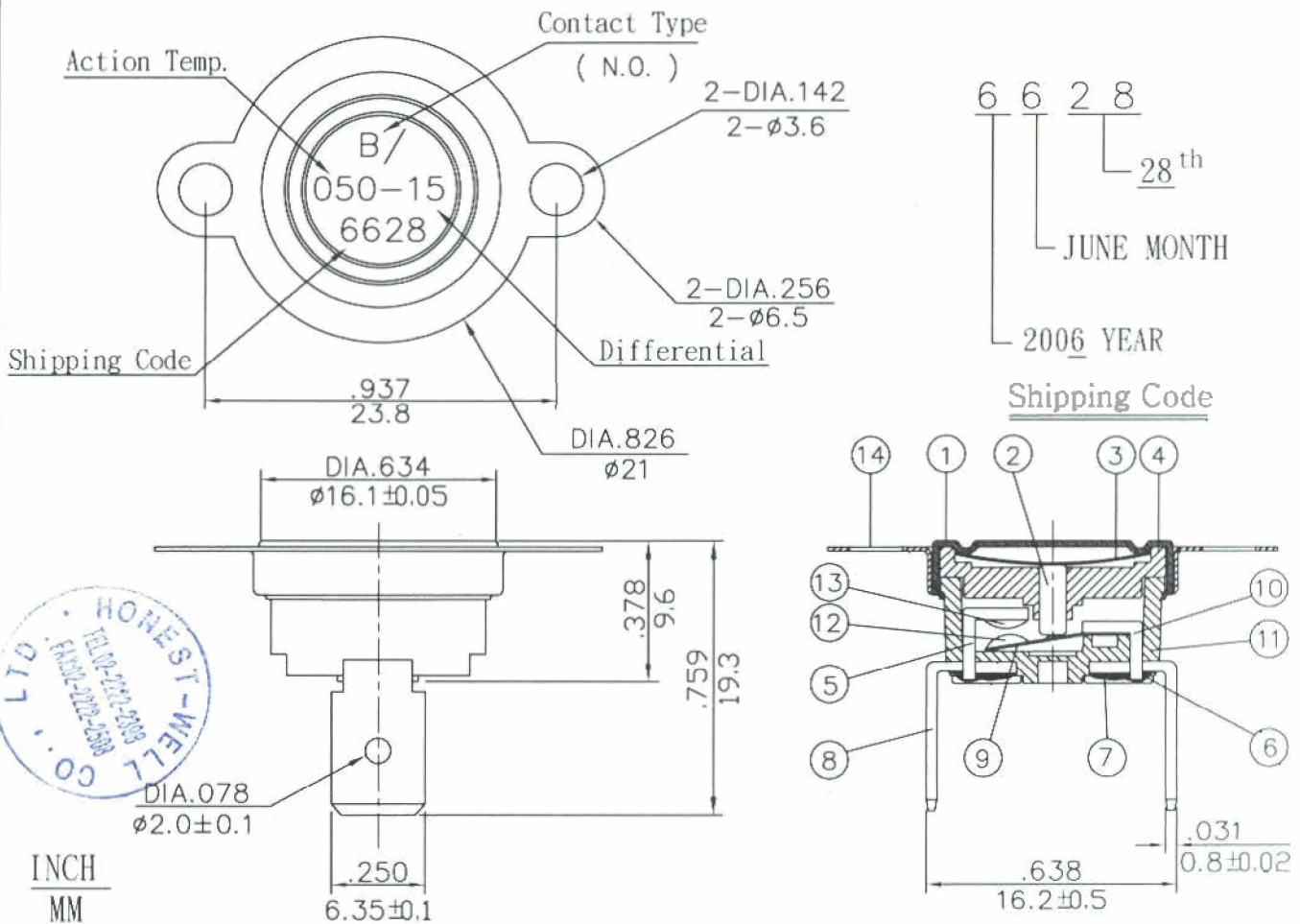


SPECIFICATIONS

| PARTS NAME | MATERIAL | UL FLAME GRADE |
|------------------|---------------------|----------------|
| 1 Sensing cap | Aluminum | |
| 2 Actuating pin | Ceramic | |
| 3 Bimetal disc | Bimetal | |
| 4 Retainer | PPS | |
| 5 Stationary arm | Brass tin plated | |
| 6 Solder | Tin | |
| 7 Glue | Epoxy | |
| 8 Terminal | Brass tin plated | |
| 9 Movable arm | Beryllium copper | |
| 10 Terminal-J | Brass tin plated | |
| 11 Case | PPS | |
| 12 Contact-R | Silver alloy | |
| 13 Contact-F | Silver alloy | |
| 14 Bracket | Steel Nickel plated | |

- * CONTACT TYPE : Normally Open
- * ACTION TEMP : 50°C ± 3K
- * RESET TEMP : 35°C ± 4K
- * TERMINAL SIZE : Amp #250 TAB
- * CIRCUIT RESISTANCE : 50mΩ MAX.
- * INSULATION RESISTANCE : 100MΩ min. at DC 500V
- * DIELECTRIC STRENGTH : AC 1000V For One Minute
Or AC 1800V For One Sec
- * APPROVALS: VDE UL CUL
- * ELECTRICAL RATING & OPERATING LIFE :
VDE - 15A 240VAC 100,000 Cycles (Resistive Load)
16A 250VAC 10,000 Cycles (Resistive Load)
Licence No.127475
(By Standard Differential:10k-15k)
- UL CUL - 15A 120VAC 100,000 Cycles (Resistive Load)
Licence No. E192925
(By Standard Differential:10k-15k)



INCH
MM

SCALE 2:1 (mm) The size remains unchanged, but other technical modification will be made without notice.

| | | | | | |
|------|-------------|-------|-------|--------------|----------------|
| ④ | | | | TITLE | 3B-SR2 |
| ③ | | | | FULL CODE | T23B050ASR2-15 |
| ② | | | | MATERIAL NO. | 1006851 |
| ① | | | | CUSTOMER | PREMIER |
| REV | DESCRIPTION | DFTG. | DATE | DRAWING NO. | 782010 |
| DFTG | FALCO | CHKD | SALES | MFG. | APRVL |