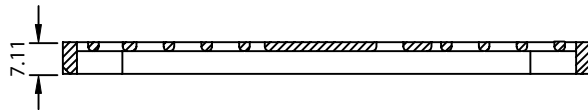
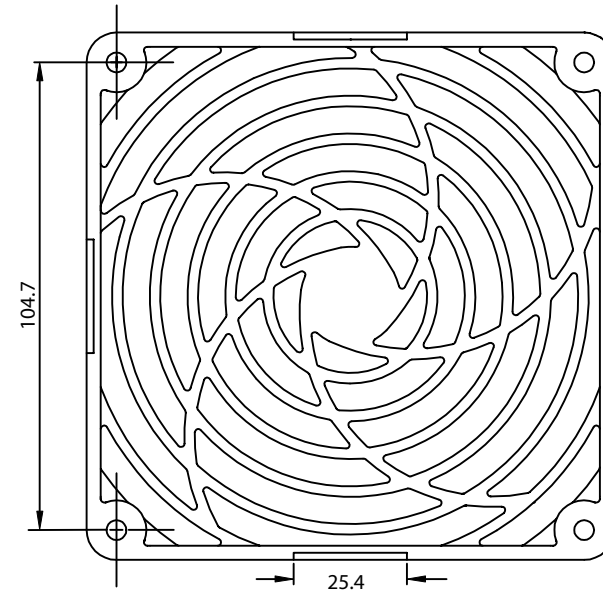
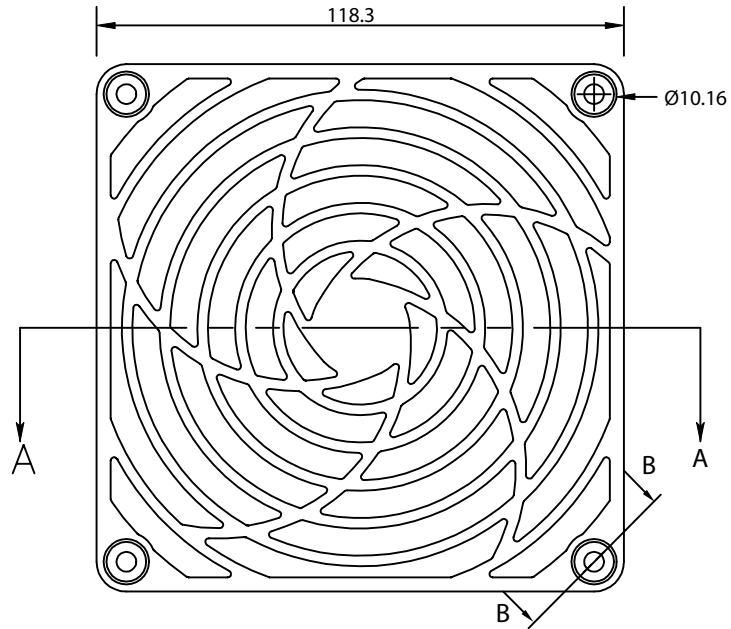


REVISION			
REV.	DESCRIPTION	DATE	APPROVED



Dim range (mm)	Tolerance +/- (mm)	Qualtek Electronics Corp. FAN-S DIVISION		
		Part Number: 09450-G	RoHS Compliant	
0-5	0.1	Description: PLASTIC FAN GUARD		
5-16	0.15	UNIT: mm		
16-64	0.2	Drawn / Date	Checked / Date	Approved / Date
64-250	0.4	B.ZHANG 10-10-03	10-10-03	JJH / 10-10-03
250-1000	0.5			
1000-1500	1.0			