



CGS | CGS TLM

TE Internal #: 2-2176155-1

CGS TLM, Surface Mount Resistors, Current Sensing Resistor, 2 Terminations, Size Code 0805, Taped & Reeled, 1%, Foil, Resistance Range Up to 1kΩ Ω

[View on TE.com >](#)

Passive Components > Resistors > Surface Mount Resistors



Resistor Type: **Current Sensing Resistor**

Number of Terminations: 2

Size Code: 0805

Packaging Method: **Taped & Reeled**

Tolerance: 1%

Features

Product Type Features

Product Type	Fixed Resistor
Resistor Type	Current Sensing Resistor
Size Code	0805
Element Type	Foil

Configuration Features

Number of Resistors	1
---------------------	---

Electrical Characteristics

Tolerance	1%
Resistance Range	Up to 1kΩ Ω
Resistance	.02 Ω
Power Rating	.25 W

Termination Features

Number of Terminations	2
Termination Type	Solder

Dimensions

Dimensions	2 x 1.25 x .55 mm
------------	-------------------

Usage Conditions

Temperature Coefficient	±50 ppm/°C
-------------------------	------------

Packaging Features

Packaging Method	Taped & Reeled
------------------	----------------

Product Compliance

[For compliance documentation, visit the product page on TE.com>](#)

EU RoHS Directive 2011/65/EU	Compliant
EU ELV Directive 2000/53/EC	Compliant
China RoHS 2 Directive MIIT Order No 32, 2016	No Restricted Materials Above Threshold
EU REACH Regulation (EC) No. 1907/2006	Current ECHA Candidate List: JAN 2020 (205) Candidate List Declared Against: JUL 2019 (201) Does not contain REACH SVHC
EU REACH Regulation (EC) No. 1907/2006	Current ECHA Candidate List: JAN 2020 (205) Candidate List Declared Against: JUL 2019 (201)
Halogen Content	Low Halogen - Br, Cl, F, I < 900 ppm per homogenous material. Also BFR/CFR/PVC Free
Solder Process Capability	Reflow solder capable to 260°C

Product Compliance Disclaimer

This information is provided based on reasonable inquiry of our suppliers and represents our current actual knowledge based on the information they provided. This information is subject to change. The part numbers that TE has identified as EU RoHS compliant have a maximum concentration of 0.1% by weight in homogenous materials for lead, hexavalent chromium, mercury, PBB, PBDE, DBP, BBP, DEHP, DIBP, and 0.01% for cadmium, or qualify for an exemption to these limits as defined in the Annexes of Directive 2011/65/EU (RoHS2). Finished electrical and electronic equipment products will be CE marked as required by Directive 2011/65/EU. Components may not be CE marked. Additionally, the part numbers that TE has identified as EU ELV compliant have a maximum concentration of 0.1% by weight in homogenous materials for lead, hexavalent chromium, and mercury, and 0.01% for cadmium, or qualify for an exemption to these limits as defined in the Annexes of Directive 2000/53/EC (ELV). Regarding the REACH Regulations, TE's information on SVHC in articles for this part number is still based on the European Chemical Agency (ECHA) 'Guidance on requirements for substances in articles' (Version: 2, April 2011), applying the 0.1% weight on weight concentration threshold at the finished product level. TE is aware of the European Court of Justice ruling of September 10th, 2015 also known as O5A (Once An Article Always An Article) stating that, in case of 'complex object', the threshold for a SVHC must be applied to both the product as a whole and simultaneously to each of the articles forming part of its composition. TE has evaluated this ruling based on the new ECHA "Guidance on requirements for substances in articles" (June 2017, version 4.0) and will be updating its statements accordingly.

Compatible Parts



TE Model / Part # 3-2176155-6
TLM 0805 0.25W R082 1% 50PPM 5K RL



TE Model / Part # 1-2176155-6
TLM 0805 0.25W R012 1% 100PPM 5K RL



TE Model / Part # 3-2176156-5
TLM 1206 0.5W R075 1% 50PPM 5K RL



TE Model / Part # 3-2176157-8
TLM 2010 0.75W R10 1% 50PPM 4K RL



TE Model / Part # 3-2176158-6
TLM 2512 1.0W R082 1% 50PPM 4K RL

Also in the Series | **CGS TLM**



Surface Mount Resistors(152)

Customers Also Bought



TE Model / Part #6-1625876-5
CBT 1/2 5% 6R8




TE Model / Part #2-2176155-7
TLM 0805 0.25W R036 1% 50PPM 5K RL



TE Model / Part #7-1614893-7
CPF 0805 88K7 0.1% 25PPM 1K RL



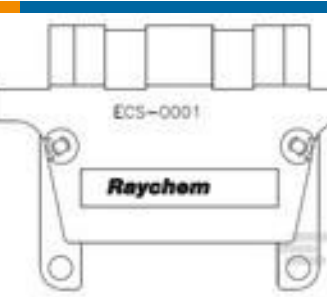
TE Model / Part #1-1415544-2
RT334F03



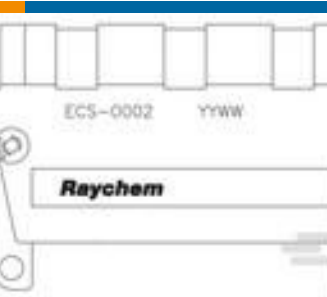
TE Model / Part #1-796922-9
NC6-P108-03-289=NC6 ASSEMBLY



TE Model / Part #3-1623772-9
C7 330R 5% AMMO PK



TE Model / Part #184437-000
ECS-0001



TE Model / Part #114123-000
ECS-0002



Documents

Datasheets & Catalog Pages

SMD Current Sense Metal Chip Resistor

English