

RL73H2HR13FTDF ✓ ACTIVE

CGS | CGS RL73

TE Internal #: 2-1879464-6

CGS RL73, Surface Mount Resistors, Current Sensing Resistor, 2 Terminations, Size Code 2010, Taped & Reeled, 1%, Thick Film

[View on TE.com >](#)



Passive Components > Resistors > Surface Mount Resistors



Resistor Type: **Current Sensing Resistor**

Number of Terminations: **2**

Size Code: **2010**

Packaging Method: **Taped & Reeled**

Tolerance: **1%**

Features

Product Type Features

Product Type	Fixed Resistor
Resistor Type	Current Sensing Resistor
Size Code	2010
Element Type	Thick Film

Configuration Features

Number of Resistors	1
---------------------	---

Electrical Characteristics

Tolerance	1%
Resistance Range	Up to 1k Ω
Resistance	13 Ω
Power Rating	.75 W

Termination Features

Number of Terminations	2
Termination Type	Solder

Mechanical Attachment

Mount Style	Surface Mount
-------------	---------------

Dimensions

Dimensions	.58 x .29 x .23 mm
------------	--------------------

Usage Conditions

Temperature Coefficient	±100 ppm/°C
-------------------------	-------------

Packaging Features

Packaging Method	Taped & Reeled
------------------	----------------

Product Compliance

[For compliance documentation, visit the product page on TE.com>](#)

EU RoHS Directive 2011/65/EU	Not Compliant
EU ELV Directive 2000/53/EC	Compliant with Exemptions
China RoHS 2 Directive MIIT Order No 32, 2016	Restricted Materials Above Threshold
EU REACH Regulation (EC) No. 1907/2006	Current ECHA Candidate List: JAN 2020 (205) Candidate List Declared Against: JUL 2019 (201) Does not contain REACH SVHC
EU REACH Regulation (EC) No. 1907/2006	Current ECHA Candidate List: JAN 2020 (205) Candidate List Declared Against: JUL 2019 (201)
Halogen Content	Low Halogen - Br, Cl, F, I < 900 ppm per homogenous material. Also BFR/CFR/PVC Free
Solder Process Capability	Reflow solder capable to 260°C

Product Compliance Disclaimer

This information is provided based on reasonable inquiry of our suppliers and represents our current actual knowledge based on the information they provided. This information is subject to change. The part numbers that TE has identified as EU RoHS compliant have a maximum concentration of 0.1% by weight in homogenous materials for lead, hexavalent chromium, mercury, PBB, PBDE, DBP, BBP, DEHP, DIBP, and 0.01% for cadmium, or qualify for an exemption to these limits as defined in the Annexes of Directive 2011/65/EU (RoHS2). Finished electrical and electronic equipment products will be CE marked as required by Directive 2011/65/EU. Components may not be CE marked. Additionally, the part numbers that TE has identified as EU ELV compliant have a maximum concentration of 0.1% by weight in homogenous materials for lead, hexavalent chromium, and mercury, and 0.01% for cadmium, or qualify for an exemption to these limits as defined in the Annexes of Directive 2000/53/EC (ELV). Regarding the REACH Regulations, TE's information on SVHC in articles for this part number is still based on the European Chemical Agency (ECHA) 'Guidance on requirements for substances in articles' (Version: 2, April 2011), applying the 0.1% weight on weight concentration threshold at the finished product level. TE is aware of the European Court of Justice ruling of September 10th, 2015 also known as O5A (Once An Article Always An Article) stating that, in case of 'complex object', the threshold for a SVHC must be applied to both the product as a whole and simultaneously to each of the articles forming part of its composition. TE has evaluated this ruling based on the new ECHA "Guidance on requirements for substances in articles" (June 2017, version 4.0) and will be updating its statements accordingly.

Compatible Parts



TE Model / Part # 1622825-9
RL73K 3A R10 5%

TE Model / Part # 1-1622824-7
RL73H 2A R22 1% 5K RL

TE Model / Part # 1879462-1
RL73H 2B R10 1% 5K RL

TE Model / Part # 6-1622824-1
RL73N 1J R10 5% 5K RL

TE Model / Part # 6-1879464-7
RL73K 2H R68 5% 4K RL

Also in the Series | **CGS RL73**

Surface Mount Resistors(856)

Customers Also Bought

TE Model / Part #2-1393243-4
RTE25524

TE Model / Part #2331373-1
DET SW3.50X2.8X1.5 JB VERT. NO AG
RL

TE Model / Part #1-2176411-0
1/2W SM M/OX 5% 27K

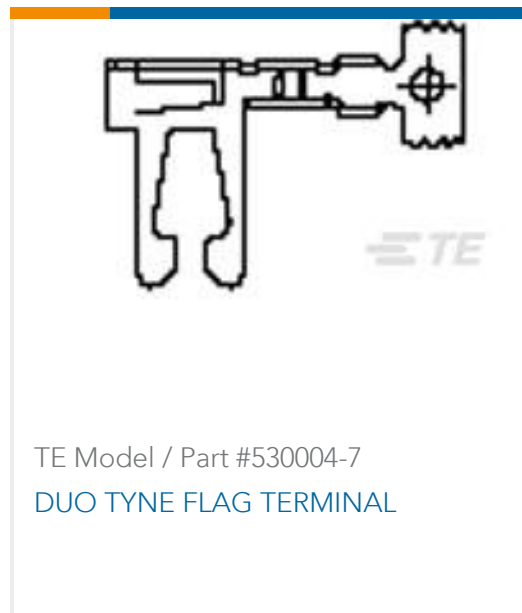
TE Model / Part #5-2176412-7
5W XSM M/OX 5% 1K1

TE Model / Part #3-2176415-7
8W STD M/OX 5% 910R

TE Model / Part #5-2176379-2
RQ 0805 365R 0.1% 10PPM 5K RL

TE Model / Part #1-2176315-1
MELF SMA_A 680R 0.1% 15PPM 0204
0.4W

TE Model / Part #5-103911-3
60 SYSTEM 50 RCPT ASSY DRRA



Documents

Datasheets & Catalog Pages

[SMD Low Ohmic Current Sense Resistors - Type RL73 Series](#)

English