



Neohm | Neohm CPF

TE Internal #: 4-1879337-4

Neohm CPF, Surface Mount Resistors, Precision Resistor, 2 Terminations, Size Code 0603, Taped & Reeled, 1%, Thin Film, Resistance Range 1kΩ – 1MΩ Ω

[View on TE.com >](#)

Passive Components > Resistors > Surface Mount Resistors



Resistor Type: **Precision Resistor**

Number of Terminations: **2**

Size Code: **0603**

Packaging Method: **Taped & Reeled**

Tolerance: **1%**

Features

Product Type Features

Product Type	Fixed Resistor
Resistor Type	Precision Resistor
Size Code	0603
Element Type	Thin Film

Configuration Features

Number of Resistors	1
---------------------	---

Electrical Characteristics

Voltage Rating	50 V
Tolerance	1%
Resistance Range	1kΩ – 1MΩ Ω
Resistance	6.98K Ω
Power Rating	.063 W

Termination Features

Number of Terminations	2
Termination Type	Solder

Mechanical Attachment

Mount Style	Surface Mount
-------------	---------------

Dimensions



Dimensions	1.55 x .8 x .45 mm
------------	--------------------

Usage Conditions

Temperature Coefficient	±50 ppm/°C
-------------------------	------------

Packaging Features

Packaging Method	Taped & Reeled
------------------	----------------

Product Compliance

[For compliance documentation, visit the product page on TE.com>](#)

EU RoHS Directive 2011/65/EU	Compliant
EU ELV Directive 2000/53/EC	Compliant
China RoHS 2 Directive MIIT Order No 32, 2016	No Restricted Materials Above Threshold
EU REACH Regulation (EC) No. 1907/2006	Current ECHA Candidate List: JAN 2020 (205) Candidate List Declared Against: JAN 2020 (205) Does not contain REACH SVHC
EU REACH Regulation (EC) No. 1907/2006	Current ECHA Candidate List: JAN 2020 (205) Candidate List Declared Against: JAN 2020 (205)
Halogen Content	Not Low Halogen - contains Br or Cl > 900 ppm.
Solder Process Capability	Reflow solder capable to 260°C

Product Compliance Disclaimer

This information is provided based on reasonable inquiry of our suppliers and represents our current actual knowledge based on the information they provided. This information is subject to change. The part numbers that TE has identified as EU RoHS compliant have a maximum concentration of 0.1% by weight in homogenous materials for lead, hexavalent chromium, mercury, PBB, PBDE, DBP, BBP, DEHP, DIBP, and 0.01% for cadmium, or qualify for an exemption to these limits as defined in the Annexes of Directive 2011/65/EU (RoHS2). Finished electrical and electronic equipment products will be CE marked as required by Directive 2011/65/EU. Components may not be CE marked. Additionally, the part numbers that TE has identified as EU ELV compliant have a maximum concentration of 0.1% by weight in homogenous materials for lead, hexavalent chromium, and mercury, and 0.01% for cadmium, or qualify for an exemption to these limits as defined in the Annexes of Directive 2000/53/EC (ELV). Regarding the REACH Regulations, TE's information on SVHC in articles for this part number is still based on the European Chemical Agency (ECHA) 'Guidance on requirements for substances in articles' (Version: 2, April 2011), applying the 0.1% weight on weight concentration threshold at the finished product level. TE is aware of the European Court of Justice ruling of September 10th, 2015 also known as O5A (Once An Article Always An Article) stating that, in case of 'complex object', the threshold for a SVHC must be applied to both the product as a whole and simultaneously to each of the articles forming part of its composition. TE has evaluated this ruling based on the new ECHA "Guidance on requirements for substances in articles" (June 2017, version 4.0) and will be updating its statements accordingly.

Compatible Parts



TE Model / Part # 3-1879216-5
CPF0402 200K 0.1% 25PPM 1K RL



TE Model / Part # 1-1879417-9
CPF 0603 1M0 0.1% 25PPM 1K RL



TE Model / Part # 1879417-8
CPF0603 1M0 0.1% 25PPM 5K RL



TE Model / Part # 1-1614959-4
CPF0805 2M0 0.1% 25PPM 1K RL

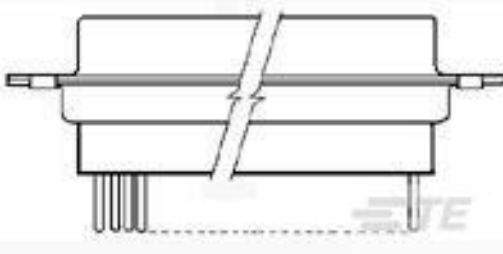
TE Model / Part # 9-1879216-1
CPF 0402 158K 0.1% 25PPM 5K RL

Also in the Series | Neohm CPF



Surface Mount Resistors(3022)

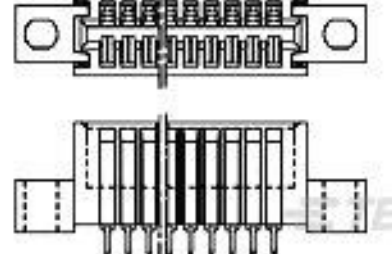
Customers Also Bought



TE Model / Part #208875-1
RECEPT ASSY,62 POSN,AMPLIMITE



TE Model / Part #2309567-1
12G SAS REC RIGHT ANGLE CONNECTOR



TE Model / Part #1-166088-3
SINGLE LOADED/WITH EARS



TE Model / Part #6-1879337-1
CPF 0603 10K5 1% 50PPM 1K RL



TE Model / Part #1-1879339-0
CPF 0603 357K 1% 50PPM 1K RL



TE Model / Part #5-1879337-0
CPF 0603 8K06 1% 50PPM 1K RL



Documents

Product Drawings

[CPF 0603 6K98 1% 50PPM 1K RL](#)

English

CAD Files

[3D PDF](#)

3D

Customer View Model

[ENG_CVM_CVM_4-1879337-4_BA.2d_dxf.zip](#)

English

Customer View Model

[ENG_CVM_CVM_4-1879337-4_BA.3d_igs.zip](#)

English

Customer View Model

[ENG_CVM_CVM_4-1879337-4_BA.3d_stp.zip](#)

English

By downloading the CAD file I accept and agree to the [Terms and Conditions](#) of use.

Datasheets & Catalog Pages

[1309350_PASSIVE_COMPONENT](#)

English

[CPF-1016](#)

English

[8-1773459-4_POWER_FILTERING_AND_RESISTIVE_SOLUTIONS_FOR_ELEVATORS_AND_ESCALATORS](#)

English