



CGS | CGS RLP73

TE Internal #: 2-2176049-2

CGS RLP73, Surface Mount Resistors, Low Ohmic Resistor, 2 Terminations, Size Code 0402, Taped & Reeled, 1%, Thick Film, Resistance Range Up to 1kΩ Ω

[View on TE.com >](#)

Passive Components > Resistors > Surface Mount Resistors



Resistor Type: **Low Ohmic Resistor**

Number of Terminations: **2**

Size Code: **0402**

Packaging Method: **Taped & Reeled**

Tolerance: **1%**

**Features**

**Product Type Features**

Product Type	Fixed Resistor
Resistor Type	Low Ohmic Resistor
Size Code	0402
Element Type	Thick Film

**Configuration Features**

Number of Resistors	1
---------------------	---

**Electrical Characteristics**

Tolerance	1%
Resistance Range	Up to 1kΩ Ω
Resistance	.39 Ω
Power Rating	.125 W

**Termination Features**

Number of Terminations	2
Termination Type	Solder

**Mechanical Attachment**

Mount Style	Surface Mount
-------------	---------------

**Dimensions**

Dimensions	1 x .5 x .2 mm
------------	----------------



**Usage Conditions**

Temperature Coefficient	±300 ppm/°C
-------------------------	-------------

**Packaging Features**

Packaging Method	Taped & Reeled
------------------	----------------

**Product Compliance**

[For compliance documentation, visit the product page on TE.com>](#)

EU RoHS Directive 2011/65/EU	Compliant
EU ELV Directive 2000/53/EC	Compliant with Exemptions
China RoHS 2 Directive MIIT Order No 32, 2016	No Restricted Materials Above Threshold
EU REACH Regulation (EC) No. 1907/2006	Current ECHA Candidate List: JAN 2020 (205) Candidate List Declared Against: JUL 2019 (201) Does not contain REACH SVHC
EU REACH Regulation (EC) No. 1907/2006	Current ECHA Candidate List: JAN 2020 (205) Candidate List Declared Against: JUL 2019 (201)
Halogen Content	Low Halogen - Br, Cl, F, I < 900 ppm per homogenous material. Also BFR/CFR/PVC Free
Solder Process Capability	Reflow solder capable to 260°C

**Product Compliance Disclaimer**

This information is provided based on reasonable inquiry of our suppliers and represents our current actual knowledge based on the information they provided. This information is subject to change. The part numbers that TE has identified as EU RoHS compliant have a maximum concentration of 0.1% by weight in homogenous materials for lead, hexavalent chromium, mercury, PBB, PBDE, DBP, BBP, DEHP, DIBP, and 0.01% for cadmium, or qualify for an exemption to these limits as defined in the Annexes of Directive 2011/65/EU (RoHS2). Finished electrical and electronic equipment products will be CE marked as required by Directive 2011/65/EU. Components may not be CE marked. Additionally, the part numbers that TE has identified as EU ELV compliant have a maximum concentration of 0.1% by weight in homogenous materials for lead, hexavalent chromium, and mercury, and 0.01% for cadmium, or qualify for an exemption to these limits as defined in the Annexes of Directive 2000/53/EC (ELV). Regarding the REACH Regulations, TE's information on SVHC in articles for this part number is still based on the European Chemical Agency (ECHA) 'Guidance on requirements for substances in articles' (Version: 2, April 2011), applying the 0.1% weight on weight concentration threshold at the finished product level. TE is aware of the European Court of Justice ruling of September 10th, 2015 also known as O5A (Once An Article Always An Article) stating that, in case of 'complex object', the threshold for a SVHC must be applied to both the product as a whole and simultaneously to each of the articles forming part of its composition. TE has evaluated this ruling based on the new ECHA "Guidance on requirements for substances in articles" (June 2017, version 4.0) and will be updating its statements accordingly.

**Compatible Parts**




TE Model / Part # 2-2176051-5  
RLP73K 1J R51 1% 1K RL



TE Model / Part # 4-2176055-0  
RLP73K 2B R43 1% 1K RL



TE Model / Part # 1-2176057-5  
RLP73M 3A R039 1% 1K RL



TE Model / Part # 2176050-8  
RLP73N 1E R10 5% 5K RL



TE Model / Part # 2176053-9  
RLP73N 2A R11 1% 1K RL

Also in the Series | **CGS RLP73**




Surface Mount Resistors(396)

Customers Also Bought



TE Model / Part #4-644615-0  
10P MTA156 POL LOCK ASSY LF



TE Model / Part #1-1776113-0  
10P,3.81MM,SIDE ENTRY,HIGH TMP



TE Model / Part #1-2176049-7  
RLP73N 1E R24 1% 1K RL



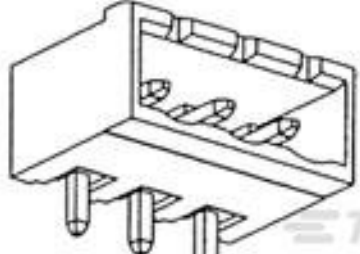
TE Model / Part #1-2176049-1  
RLP73N 1E R13 1% 1K RL



TE Model / Part #2-2176049-4  
RLP73N 1E R47 1% 1K RL



TE Model / Part #4-176891-4  
1.25FP,P14,DL,O,N,TR,5.00,6.90



TE Model / Part #1-796638-6  
16POS 5.08MM CE R/A HDR,TRM BK



TE Model / Part #4-174639-4  
1.25FP,R14,DL,B,N,BG



## Documents

### Product Drawings

[RLP73N 1E R39 1% 1K RL](#)

English

### CAD Files

[3D PDF](#)

3D

Customer View Model

[ENG\\_CVM\\_CVM\\_2-2176049-2\\_BA.2d\\_dxf.zip](#)

English

Customer View Model

[ENG\\_CVM\\_CVM\\_2-2176049-2\\_BA.3d\\_igs.zip](#)

English

Customer View Model

[ENG\\_CVM\\_CVM\\_2-2176049-2\\_BA.3d\\_stp.zip](#)

English

By downloading the CAD file I accept and agree to the [Terms and Conditions](#) of use.

### Datasheets & Catalog Pages

[SMD Low Ohmic Current Sense Resistors - Type RL73 Series](#)

English