

# RN73C1E750RBTG

✓ ACTIVE

Holswothy | Holswothy RN73

TE Internal #: 4-1879128-0

Holswothy RN73, Surface Mount Resistors, Precision Resistor, 2 Terminations, Size Code 0402, Cut Tape Length, .1%, Thin Film

[View on TE.com >](#)



Passive Components > Resistors > Surface Mount Resistors



Resistor Type: **Precision Resistor**

Number of Terminations: **2**

Size Code: **0402**

Packaging Method: **Cut Tape Length**

Tolerance: **.1%**

## Features

### Product Type Features

|               |                    |
|---------------|--------------------|
| Product Type  | Fixed Resistor     |
| Resistor Type | Precision Resistor |
| Size Code     | 0402               |
| Element Type  | Thin Film          |

### Configuration Features

|                     |   |
|---------------------|---|
| Number of Resistors | 1 |
|---------------------|---|

### Electrical Characteristics

|                  |                   |
|------------------|-------------------|
| Voltage Rating   | 25 V              |
| Tolerance        | .1%               |
| Resistance Range | Up to 1k $\Omega$ |
| Resistance       | 750 $\Omega$      |
| Power Rating     | .063 W            |

### Termination Features

|                        |        |
|------------------------|--------|
| Number of Terminations | 2      |
| Termination Type       | Solder |

### Mechanical Attachment

|             |               |
|-------------|---------------|
| Mount Style | Surface Mount |
|-------------|---------------|

### Dimensions

|            |                |
|------------|----------------|
| Dimensions | 1 x .5 x .3 mm |
|------------|----------------|

### Usage Conditions

|                         |            |
|-------------------------|------------|
| Temperature Coefficient | ±10 ppm/°C |
|-------------------------|------------|

### Packaging Features

|                  |                 |
|------------------|-----------------|
| Packaging Method | Cut Tape Length |
|------------------|-----------------|

## Product Compliance


[For compliance documentation, visit the product page on TE.com>](#)

|   |   |
|---|---|
| EU RoHS Directive 2011/65/EU                  | Compliant   |
| EU ELV Directive 2000/53/EC                   | Compliant   |
| China RoHS 2 Directive MIIT Order No 32, 2016 | No Restricted Materials Above Threshold   |
| EU REACH Regulation (EC) No. 1907/2006        | Current ECHA Candidate List: JAN 2020 (205)<br>Candidate List Declared Against: JUL 2019 (201)<br>Does not contain REACH SVHC |
| EU REACH Regulation (EC) No. 1907/2006        | Current ECHA Candidate List: JAN 2020 (205)<br>Candidate List Declared Against: JUL 2019 (201)                                |
| Halogen Content                               | Low Halogen - Br, Cl, F, I < 900 ppm per homogenous material. Also BFR/CFR/PVC Free   |
| Solder Process Capability                     | Reflow solder capable to 260°C  |

#### Product Compliance Disclaimer

This information is provided based on reasonable inquiry of our suppliers and represents our current actual knowledge based on the information they provided. This information is subject to change. The part numbers that TE has identified as EU RoHS compliant have a maximum concentration of 0.1% by weight in homogenous materials for lead, hexavalent chromium, mercury, PBB, PBDE, DBP, BBP, DEHP, DIBP, and 0.01% for cadmium, or qualify for an exemption to these limits as defined in the Annexes of Directive 2011/65/EU (RoHS2). Finished electrical and electronic equipment products will be CE marked as required by Directive 2011/65/EU. Components may not be CE marked. Additionally, the part numbers that TE has identified as EU ELV compliant have a maximum concentration of 0.1% by weight in homogenous materials for lead, hexavalent chromium, and mercury, and 0.01% for cadmium, or qualify for an exemption to these limits as defined in the Annexes of Directive 2000/53/EC (ELV). Regarding the REACH Regulations, TE's information on SVHC in articles for this part number is still based on the European Chemical Agency (ECHA) 'Guidance on requirements for substances in articles' (Version: 2, April 2011), applying the 0.1% weight on weight concentration threshold at the finished product level. TE is aware of the European Court of Justice ruling of September 10th, 2015 also known as O5A (Once An Article Always An Article) stating that, in case of 'complex object', the threshold for a SVHC must be applied to both the product as a whole and simultaneously to each of the articles forming part of its composition. TE has evaluated this ruling based on the new ECHA "Guidance on requirements for substances in articles" (June 2017, version 4.0) and will be updating its statements accordingly.

## Compatible Parts



TE Model / Part # 1676153-2  
RN 0805 10K 0.1% 10PPM 1KRL



TE Model / Part # 1614349-9  
RN 0603 10K 0.1% 10PPM CUT LENGTH



TE Model / Part # 1676153-3  
RN 0805 10K 0.1% 10PPM 5KRL

TE Model / Part # 1-1676142-3  
RN 0805 100K 0.01% 10PPM 5K RL


TE Model / Part # 8-1879130-4  
RN 0402 5K11 0.1% 10PPM 5K RL

## Also in the Series | [Holswothy RN73](#)



[Surface Mount Resistors\(2570\)](#)

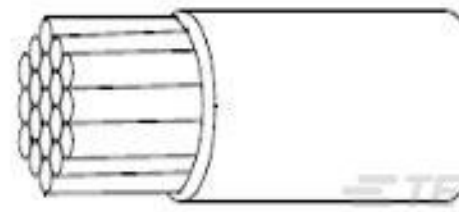
## Customers Also Bought



TE Model / Part #D812003001  
55M0424-30-2/6



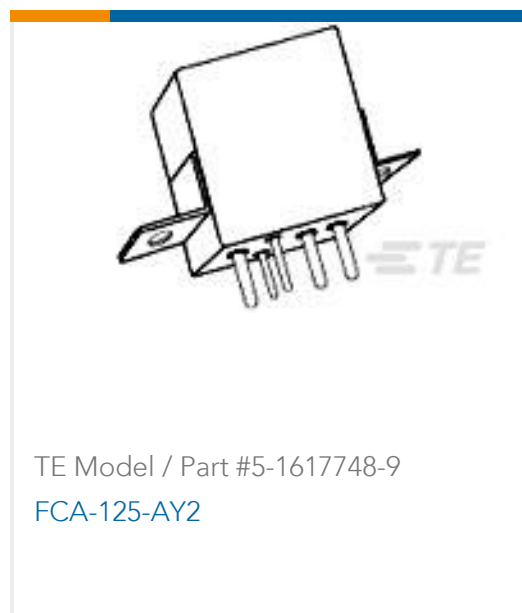
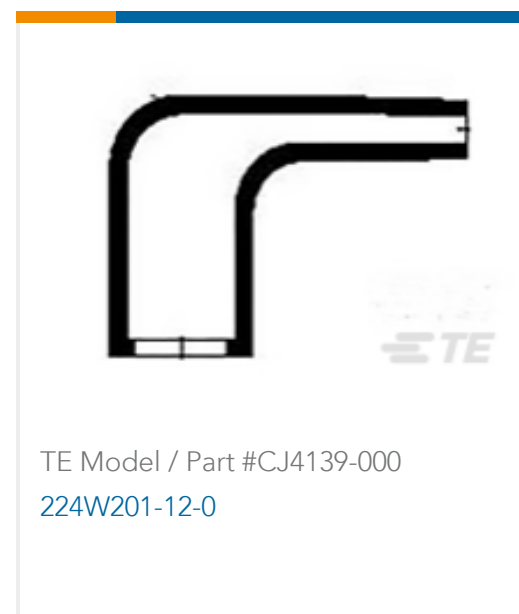
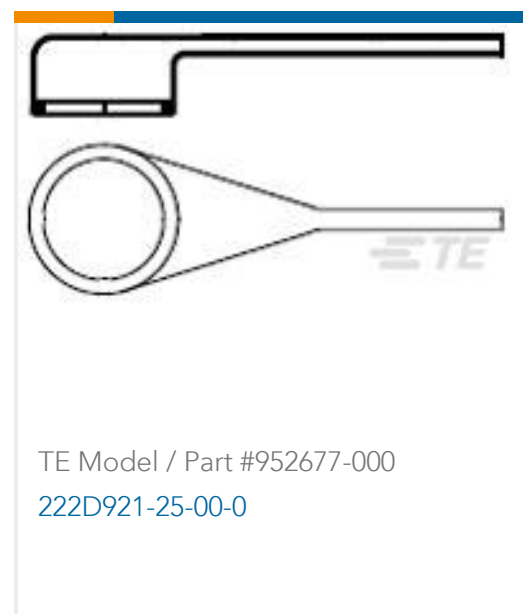
TE Model / Part #776203-000  
222A111-25-G06-0



TE Model / Part #5795953001  
55M0414-28-5



TE Model / Part #6-1879127-7  
RN 0402 422R 0.1% 10PPM CUT LENGTH



## Documents

### CAD Files

#### 3D PDF

3D

#### Customer View Model

[ENG\\_CVM\\_CVM\\_4-1879128-0\\_BA.2d\\_dxf.zip](#)

English

#### Customer View Model

[ENG\\_CVM\\_CVM\\_4-1879128-0\\_BA.3d\\_igs.zip](#)

English

#### Customer View Model

[ENG\\_CVM\\_CVM\\_4-1879128-0\\_BA.3d\\_stp.zip](#)

English

By downloading the CAD file I accept and agree to the [Terms and Conditions](#) of use.

### Datasheets & Catalog Pages

[1309350\\_PASSIVE\\_COMPONENT](#)

English

[High Precision Resistors \(SMD\) - Type RN73 Series - Tyco Electronics Passives](#)

English

[8-1773459-4\\_POWER\\_FILTERING\\_AND\\_RESISTIVE\\_SOLUTIONS\\_FOR\\_ELEVATORS\\_AND\\_ESCALATORS](#)

English