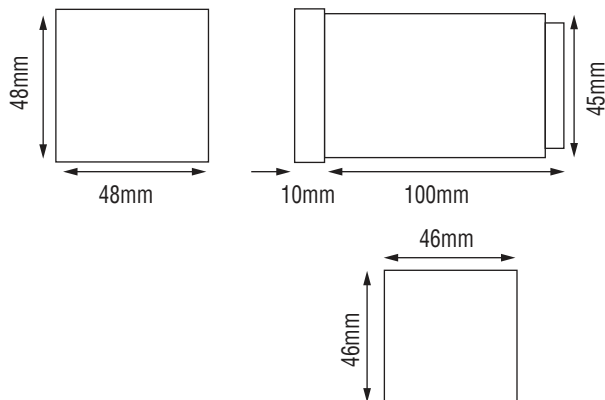




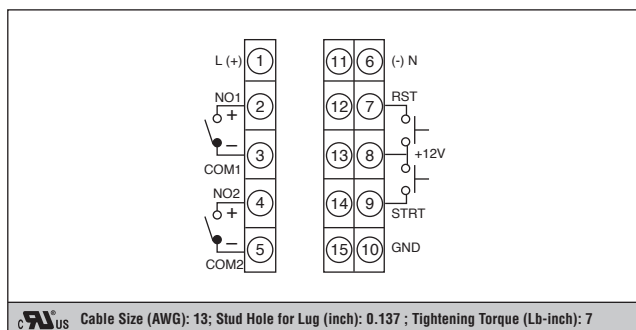
## Multifunction, Multi Range Timer Counter

- Dual Display, 4 digit, 7 segment LED
- LED Status Indicator: Relay 1, Relay 2, Seconds, Minutes, Hours
- 2 Setpoints
- Programmable Input Scaling
- Down Counting for Timer, Up/Down Counting for Counter
- Batch Counting

### DIMENSIONS (MILLIMETERS)



### TERMINAL CONNECTIONS



UL US Cable Size (AWG): 13; Stud Hole for Lug (inch): 0.137; Tightening Torque (Lb-inch): 7

### SPECIFICATIONS

<b>SENSOR TYPE</b>	NPN / PNP
<b>INPUT TYPE</b>	Voltage pulse (3 to 30 V DC) from Proximity switches, Solid state devices, Potential free contact encoder
<b>INPUT SPEED</b>	a) 3Hz, b) 30Hz, c) 5kHz
<b>ACCURACY</b>	Timer: $\pm 0.05\%$ of setting Counter: $\pm 0$ counts
<b>SCALE FACTOR</b>	0.001 to $9.999 \times 10^n$ $n = -3, -2, -1, 0, 1, 2$
<b>RESET</b>	Front, Remote, Power Interruption
<b>SENSOR SUPPLY</b>	Built-in, 12V DC, 30mA (short circuit protected)
<b>OUTPUT</b>	2 SPST (2 NO)
<b>RELAY RATING</b>	5A @ 230V AC
<b>OPERATING MODES</b>	Timer: ON delay, Interval, Cyclic ON first, Cyclic OFF first, Batch Counter: ON delay, Interval, Auto reset, Time pulse Repeat, Batch
<b>RANGE</b>	Timer: 0-99.99 0-99.59 0-999.9 Counter: -999 to 9999 counts
<b>COUNTING DIRECTION</b>	Timer: Down Counter: Up / down
<b>MEMORY RETENTION</b>	Yes
<b>SUPPLY VOLTAGE</b>	85 to 270V AC/DC (50 / 60Hz)
<b>POWER CONSUMPTION</b>	5VA max
<b>TEMPERATURE/ HUMIDITY (NON-CONDENSING)</b>	Operating: 0 to 50°C Storage: -20 to 75°C, 95% RH
<b>WEIGHT</b>	6 oz.
<b>PROTECTION LEVEL</b>	IP65 for faceplate

### ORDERING INFORMATION

PART NO.	SUPPLY VOLTAGE
385AR-100-T5X	85 to 270V AC/DC
	24V AC/DC Model Available: Please Consult Factory