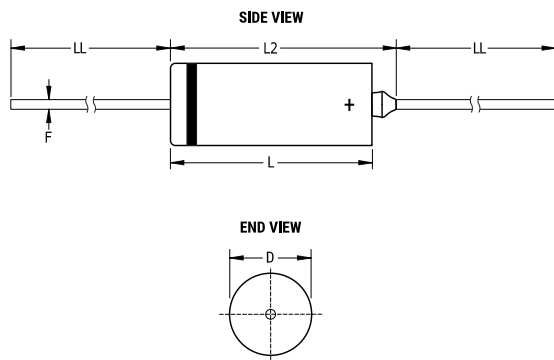


KEMET Part Number: M39003/11-2008S
(T266D337J006BS, CSS21B337JBS)

T266 CSS21, Tantalum, MnO2 Tantalum, Space, 330 uF, 5%, 6 VDC



| Dimensions | |
|------------|----------------------|
| D | 8.92mm +0.41/-0.38mm |
| L | 19.96mm +/-0.79mm |
| L2 | 23.42mm MAX |
| LL | 38.1mm +/-6.35mm |
| F | 0.64mm +/-0.05mm |

| Packaging Specifications | |
|--------------------------|------|
| Packaging: | Tray |
| Packaging Quantity: | 20 |

| General Information | |
|---------------------|---|
| Series: | T266 CSS21 |
| Dielectric: | MnO2 Tantalum |
| Style: | Axial Hermetic |
| Description: | Axial, Solid Tantalum, Hermetically Sealed, Military, CSS21 Style |
| RoHS: | No |
| Prop 65: |  WARNING: Cancer and reproductive harm - www.p65warnings.ca.gov |
| REACH: | SVHC (Pb – CAS 7439-92-1) |
| Termination: | Lead (SnPb) |
| Lead: | Wire Leads |
| Qualifications: | CSS21 |
| AEC-Q200: | No |
| Construction: | Hermetic |

| Specifications | |
|------------------------|-------------------|
| Capacitance: | 330 uF |
| Capacitance Tolerance: | 5% |
| Voltage DC: | 6 VDC (85C) |
| Temperature Range: | -55/+125°C |
| Rated Temperature: | 85°C |
| Dissipation Factor: | 12% 1kHz 25C |
| Failure Rate: | B (0.1%/1000 Hrs) |
| Leakage Current: | 7.5 uA |