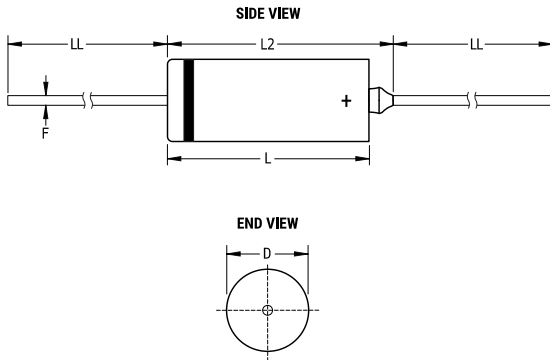


**KEMET Part Number: M39003/11-3045U**  
(T266D686J020CS0100, CSS21E686JCU)

T266 CSS21, Tantalum, MnO2 Tantalum, Space, 68 uF, 5%, 20 VDC, 100 mOhms



| Dimensions |                      |
|------------|----------------------|
| D          | 8.66mm +0.41/-0.38mm |
| L          | 19.05mm +/-0.79mm    |
| L2         | 23.42mm MAX          |
| LL         | 38.1mm +/-6.35mm     |
| F          | 0.64mm +/-0.05mm     |

| Packaging Specifications |      |
|--------------------------|------|
| Packaging:               | Tray |
| Packaging Quantity:      | 20   |

| General Information |   |
|---------------------|---|
| Series:             | T266 CSS21  |
| Dielectric:         | MnO2 Tantalum   |
| Style:              | Axial Hermetic  |
| Description:        | Axial, Solid Tantalum, Hermetically Sealed, Military, CSS21 Style   |
| RoHS:               | No  |
| Prop 65:            | <b>WARNING:</b> Cancer and reproductive harm - <a href="http://www.p65warnings.ca.gov">www.p65warnings.ca.gov</a> . |
| REACH:              | SVHC (Pb – CAS 7439-92-1)   |
| Termination:        | Lead (SnPb)   |
| Lead:               | Wire Leads  |
| Qualifications:     | CSS21   |
| AEC-Q200:           | No  |
| Construction:       | Hermetic  |

| Specifications         |                    |
|------------------------|--------------------|
| Capacitance:           | 68 uF              |
| Capacitance Tolerance: | 5%                 |
| Voltage DC:            | 20 VDC (85C)       |
| Temperature Range:     | -55/+125°C         |
| Rated Temperature:     | 85°C               |
| Dissipation Factor:    | 6% 1kHz 25C        |
| Failure Rate:          | C (0.01%/1000 Hrs) |
| Resistance:            | 0.1 Ohms (100kHz)  |
| Leakage Current:       | 7 uA               |