

Toggle Switches

Sub-Miniature

multicomp PRO



Specifications:

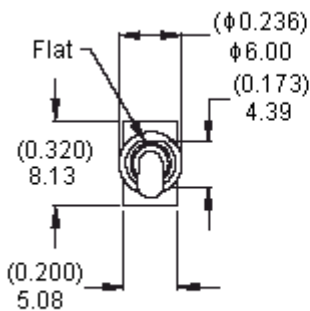
Contact Rating	: 0.4 volt-amps (VA) max. at 20V max. (AC or DC)
Mechanical Life	: 30,000 make-and-break cycles
Contact Resistance	: 20mΩ max. initial at 2 to 4V DC 100mA for both silver and gold plated contacts
Min. Insulation Resistance	: 1,000MΩ
Dielectric Strength	: 1,000VRms at sea level
Operating Temperature	: -30°C to +85°C

Materials:

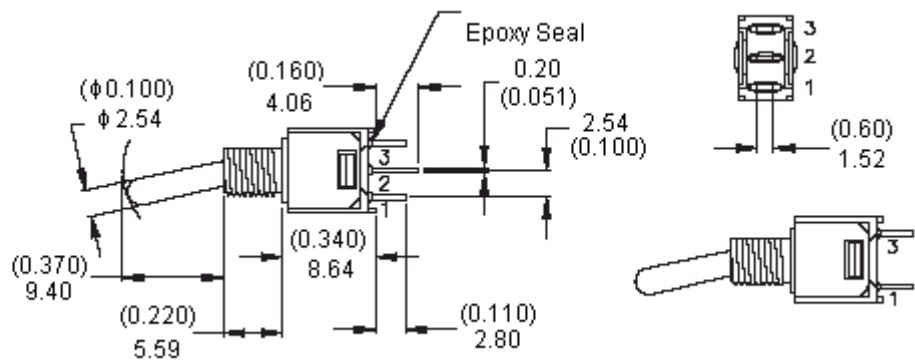
Case and Bushing	: Diallyl phthalate (DAP)
Actuator	: Brass, chrome plated
Bushing	: Brass, nickel plated
Housing	: Stainless steel
Switch Support	: Brass, tin plated
Terminals/Contact	: Brass with gold plated

Pole Option

M2RE

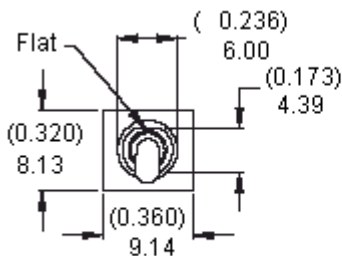


SPDT

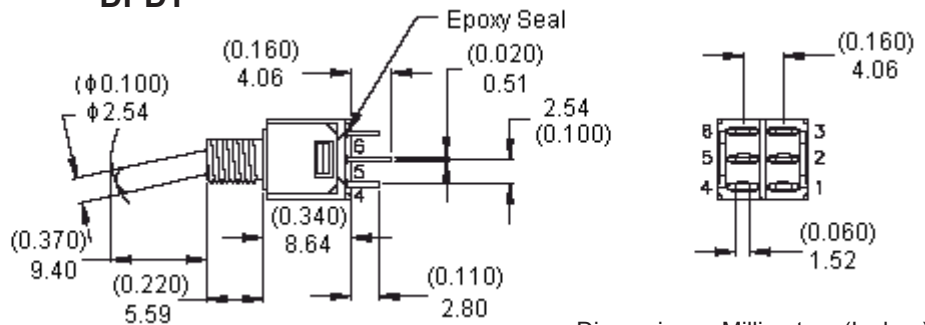


Pole Option

M2RE



DPDT



Dimensions : Millimetres (Inches)

Newark.com/multicomp-pro
Farnell.com/multicomp-pro
Element14.com/multicomp-pro

multicomp PRO

Toggle Switches

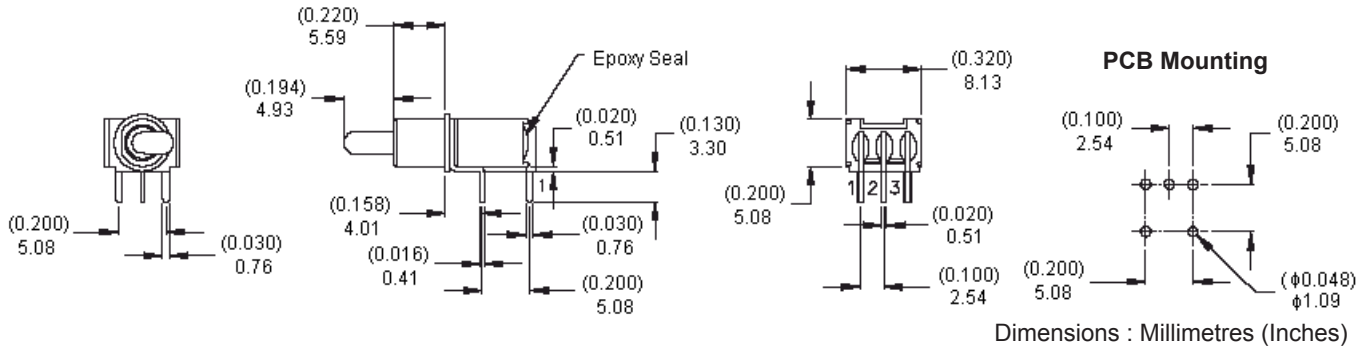
Sub-Miniature

multicomp PRO

Pole Option

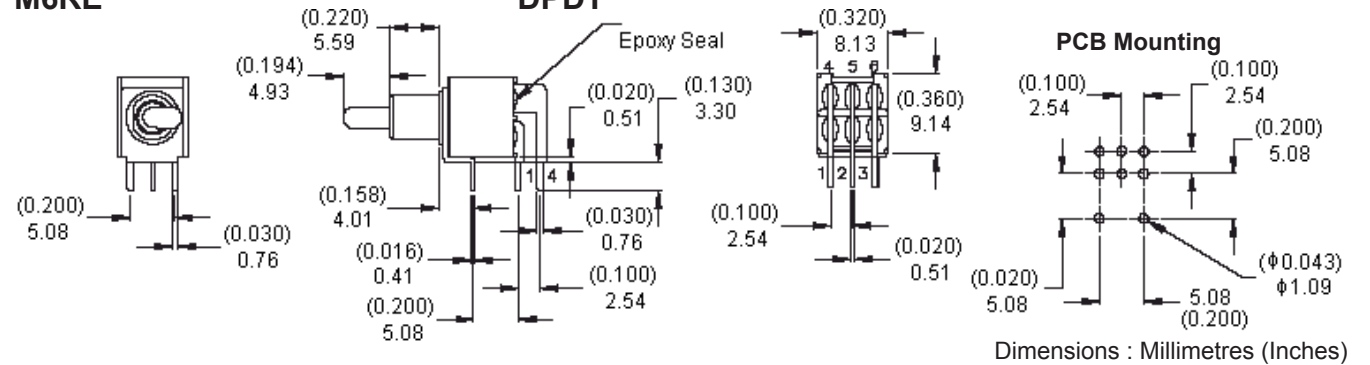
M6RE

SPDT



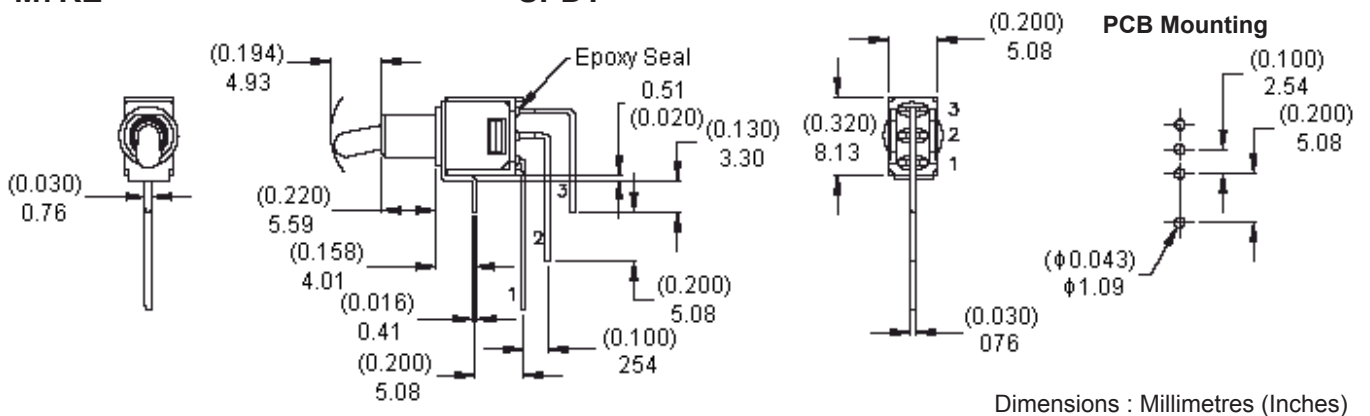
M6RE

DPDT



M7RE

SPDT



multicomp PRO

Toggle Switches

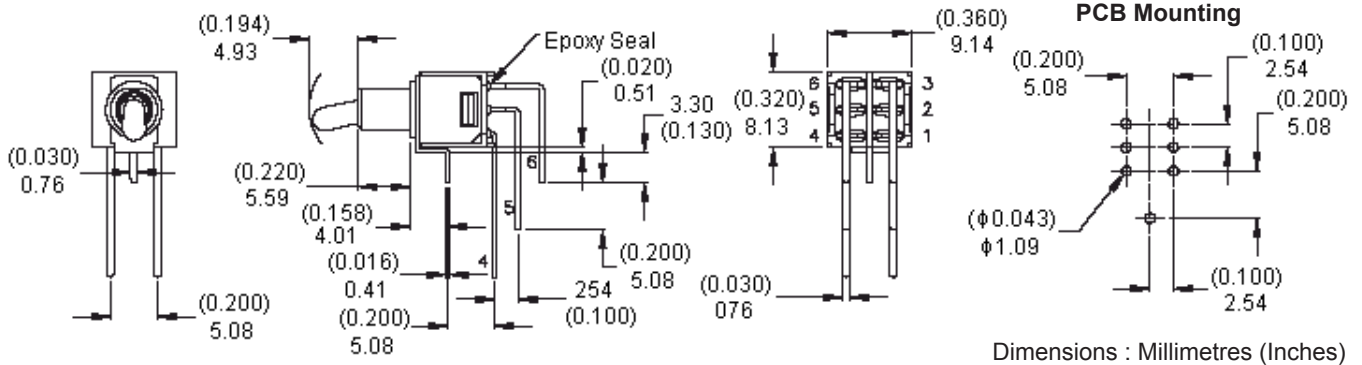
Sub-Miniature

multicomp PRO

Pole Option

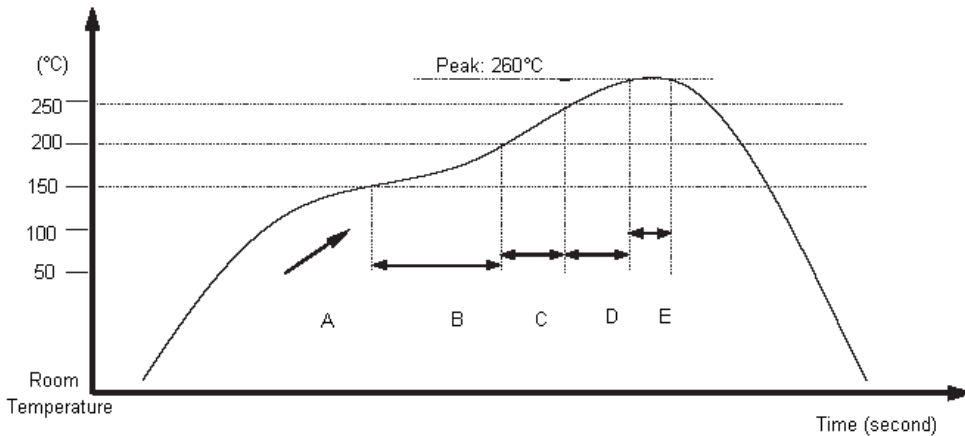
M6RE

SPDT



Soldering Process:

- Manual soldering : Use soldering iron of 30 watts, controlled at 350°C approximately 5 seconds while applying solder
- Wave soldering:
- Recommended soldering temperature : 260 ±5°C.
 - Duration of solder immersion : 5 ±1 seconds (PCB is 1.6mm in thickness).
 - Soldering : Vapour phase.



Temperature Profile		
Zone	Room Temperature (°C)	Time (seconds)
Pre-heat (A)	150°C	Min. 120
Soak (B)	180°C to 200°C	Min. 150
Peak (C)	200°C to 235°C	Min. 30
Peak (D)	235°C to 260°C	Min. 40
Peak (E)	260°C	Max. 10

Newark.com/multicomp-pro
 Farnell.com/multicomp-pro
 Element14.com/multicomp-pro

multicomp PRO

Toggle Switches

Sub-Miniature

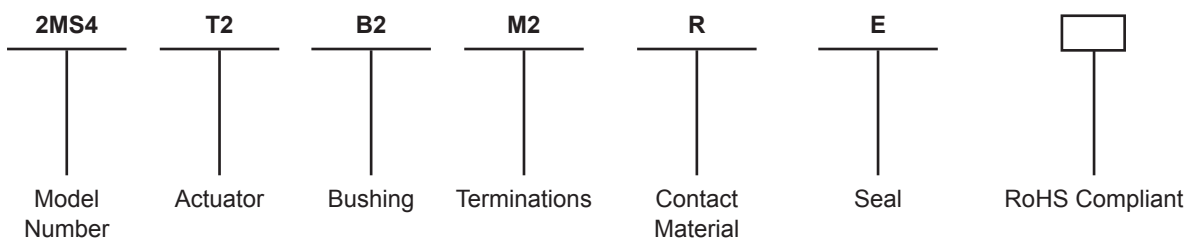
multicomp PRO

Specifications

Number of Poles	Switch Function			Connected Terminals/Schematic			Model Number			
	Position 1	Position 2	Position 3	Position 1	Position 2	Position 3				
SP	On	None	On		N/A		2MS1			
			Mom				2MS2			
	Mom	Off	On				Open		2MS3	
			Mom						2MS4	
			On						2MS5	
DP	On	None	On		-		2MD1			
			Mom				2MD2			
		Off	On					-		2MD3
		On								2MD6

Mom = Momentary

Part Number Explanation:



Model Number : 2MS1 = SP On-None-On, 2MS2 = SP On-None-Mom, 2MS3 = SP On-Off-On, 2MS4 = SP Mom-Off-Mom, 2MS5 = SP On-Off-Mom, 2MD1 = DP On-None-On, 2MD2 = DP On-None-Mom, 2MD3 = DP On-Off-On and 2MD6 = DP On-On-On

Actuator : T1 = 9.40 High and T2 = 5.33 High

Bushing : B2 = 5.59 High, Flat (Non-thd) and B5 = 7.87 High, Flat (thd)

Terminations : M2 = PVC Through Hole, M6 = Right Angle, PVC Through Hole and M7 = Vertical Right Angle, PVC Through Hole

Contact Material : R = Gold

Seal : E = Epoxy (STD)

multicomp PRO

Toggle Switches

Sub-Miniature

Part Number Table

Description	Part Number
Switch, Toggle, SPDT, Vertical, Mom-Off-Mom	2MS4T2B2M2RE
Switch, Toggle, SPDT, Vertical, On-Off-Mom	2MS5T2B2M2RE
Switch, Toggle, DPDT, Vertical, On-Mom	2MD2T2B2M2RE
Switch, Toggle, DPDT, Vertical, On-On-On	2MD6T2B2M2RE
Switch, Toggle, SPDT, Horizontal R/A, On-Mom	2MS2T2B2M6RE
Switch, Toggle, SPDT, Horizontal R/A, Mom-Off-Mom	2MS4T2B2M6RE
Switch, Toggle, SPDT, Horizontal R/A, On-Off-Mom	2MS5T2B2M6RE
Switch, Toggle, DPDT, Horizontal R/A, On-Mom	2MD2T2B2M6RE
Switch, Toggle, DPDT, Horizontal R/A, On-Off-On	2MD3T2B2M6RE
Switch, Toggle, DPDT, Horizontal R/A, On-On-On	2MD6T2B2M6RE
Switch, Toggle, SPDT, Vertical R/A, On-Mom	2MS2T2B2M7RE
Switch, Toggle, SPDT, Vertical R/A, On-On	2MS1T2B2M7RE
Switch, Toggle, SPDT, Vertical R/A, Mom-Off-Mom	2MS4T2B2M7RE
Switch, Toggle, SPDT, Vertical R/A, On-Off-On	2MS3T2B2M7RE
Switch, Toggle, SPDT, Vertical R/A, On-Off-Mom	2MS5T2B2M7RE
Switch, Toggle, DPDT, Vertical R/A, On-Mom	2MD2T2B2M7RE
Switch, Toggle, DPDT, Vertical R/A, On-On	2MD1T2B2M7RE
Switch, Toggle, DPDT, Vertical R/A, On-Off-On	2MD3T2B2M7RE
Switch, Toggle, DPDT, Vertical R/A, On-On-On	2MD6T2B2M7RE
Switch, Toggle, SPDT, Vertical Threaded, On-Mom	2MS2T1B5M2RE
Switch, Toggle, SPDT, Vertical Threaded, Mom-Off-Mom	2MS4T1B5M2RE
Switch, Toggle, SPDT, Vertical Threaded, On-Off-Mom	2MS5T1B5M2RE
Switch, Toggle, DPDT, Vertical Threaded, On-Mom	2MD2T1B5M2RE
Switch, Toggle, DPDT, Vertical Threaded, On-On-On	2MD6T1B5M2RE

Important Notice : This data sheet and its contents (the "Information") belong to the members of the AVNET group of companies (the "Group") or are licensed to it. No licence is granted for the use of it other than for information purposes in connection with the products to which it relates. No licence of any intellectual property rights is granted. The Information is subject to change without notice and replaces all data sheets previously supplied. The Information supplied is believed to be accurate but the Group assumes no responsibility for its accuracy or completeness, any error in or omission from it or for any use made of it. Users of this data sheet should check for themselves the Information and the suitability of the products for their purpose and not make any assumptions based on information included or omitted. Liability for loss or damage resulting from any reliance on the Information or use of it (including liability resulting from negligence or where the Group was aware of the possibility of such loss or damage arising) is excluded. This will not operate to limit or restrict the Group's liability for death or personal injury resulting from its negligence. Multicomp Pro is the registered trademark of Premier Farnell Limited 2019.