

PCB Mount Solid State Relay

Single Phase DC Output

multicomp PRO

**RoHS
Compliant**



Description

This is printed board mounted DC output solid state relay. Compact size, high inrush current, suitable for control and isolation between control signal and high current. Widely used in different kinds of DC motor, DC power supply, electromechanical device etc. Load voltage is 60VDC and 100VDC

Application

Suitable for control and isolation between control signal and high current as interface, widely used in different kinds of DC motor, DC power supply, electromechanical device etc.

Features

- MOSFET output
- Low on-state resistance
- Opto-isolation
- Dielectric strength $\geq 2500V_{rms}$
- PCB mounted

Technical Specification

Input Circuit		
Control Voltage Range		3-10V DC
		10-28V DC
Minimum Turn-On Voltage		3V DC
		10V DC
Minimum Turn-Off Voltage		1V DC
Maximum Input Current		15mA
Output Circuit		
Load Voltage Range	60V DC	0-60V DC
	100V DC	0-100V DC
Transient Over voltage	60V DC	80Vpk
	100V DC	120Vpk
Maximum Surge Current (@10 ms)	10A	50A
	20A	100A
Maximum Turn-On Time		1ms
Maximum Turn-Off Time		1ms
Maximum Off-State Leakage Current [@ Rated Voltage]		0.1mA
Maximum On Resistance	10A	15m Ω
	20A	3.6m Ω
General Information		
Dielectric Strength, Input/Output (50/60Hz)		$\geq 2500V_{rms}$
Ambient Operating Temperature Range		-30°C ~ +80°C

Newark.com/multicomp-pro
Farnell.com/multicomp-pro
Element14.com/multicomp-pro

multicomp PRO

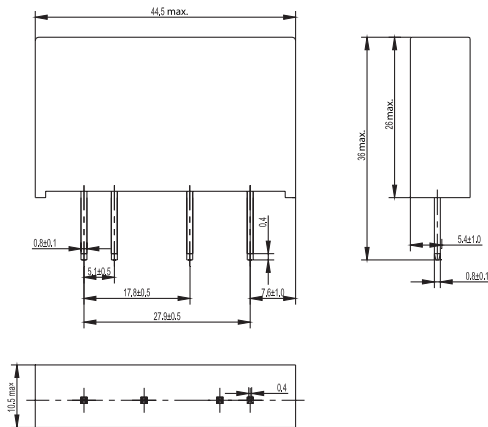
PCB Mount Solid State Relay

Single Phase DC Output

multicomp PRO

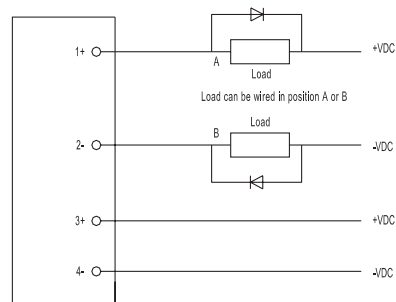
Ambient Storage Temperature Range	-30°C ~ +100°C
Weight (Typical)	20g

Installation Drawing

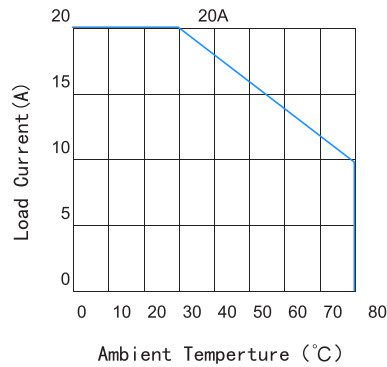
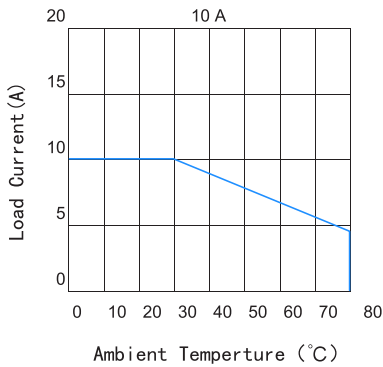


Dimensions : Millimetres

Wiring Diagram



Thermal Curve



Part Number Table

Description	Part Number
SSR, PCB Mount, 10A, 100V DC, 10-28V DC, DC Switch	MC002254
SSR, PCB Mount, 10A, 100V DC, 3-10V DC, DC Switch	MC002255
SSR, PCB Mount, 20A, 60V DC, 3-10V DC, DC Switch	MC002256

Important Notice : This data sheet and its contents (the "Information") belong to the members of the AVNET group of companies (the "Group") or are licensed to it. No licence is granted for the use of it other than for information purposes in connection with the products to which it relates. No licence of any intellectual property rights is granted. The Information is subject to change without notice and replaces all data sheets previously supplied. The Information supplied is believed to be accurate but the Group assumes no responsibility for its accuracy or completeness, any error in or omission from it or for any use made of it. Users of this data sheet should check for themselves the Information and the suitability of the products for their purpose and not make any assumptions based on information included or omitted. Liability for loss or damage resulting from any reliance on the Information or use of it (including liability resulting from negligence or where the Group was aware of the possibility of such loss or damage arising) is excluded. This will not operate to limit or restrict the Group's liability for death or personal injury resulting from its negligence. Multicomp Pro is the registered trademark of Premier Farnell Limited 2019.

Newark.com/multicomp-pro
Farnell.com/multicomp-pro
Element14.com/multicomp-pro

multicomp PRO