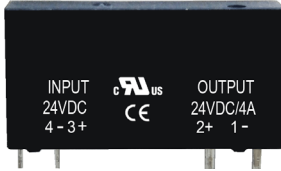


PCB Mount Solid State Relay

Single Phase DC Output

multicomp PRO

**RoHS
Compliant**



Description

This is printed board mounted DC output solid state relay. Control voltage is 12V DC and 24V DC, load current is 0.1A or 4A load voltage is 24V DC or 48V DC, dielectric strength is 2500V AC, suitable for PLC control of socket installation.

Application

Suitable for PLC control of socket installation.

Features

- Control voltage: 12V DC and 24V DC
- Load voltage: 24V DC, 48V DC
- Load current is 0.1A or 4A
- MOSFET output (for 4A)
- Dielectric strength: 2500Vrms
- PCB or socket mounted

Technical Specification

Input Circuit		
Control Voltage Range	12	9.6-14.4V DC
	24	19.2-28.8V DC
Must Turn-On Voltage	12	9.6V DC
	24	19.2V DC
Must Turn-Off Voltage		1V DC
Maximum Input Current		25mA
Output Circuit		
Load Voltage Range	24	3-28V DC
	48	3-58VDC
Transient Over voltage	24	33V DC
	48	58V DC
Load Current Range	0.1A	0.001 - 0.1A
	4A	0.02 - 4A
Maximum Turn-On Time		300µs
Maximum Turn-Off Time		300µs
Maximum Surge Current (@10 ms)	0.1A	1A
	4A	48A
Maximum Off-State Leakage Current [@ Rated Voltage]		0.1mA
Maximum On-State Voltage Drop	0.1A	1.5V DC
Maximum On-state Resistance	4A	37mΩ

Newark.com/multicomp-pro
Farnell.com/multicomp-pro
Element14.com/multicomp-pro

multicomp PRO

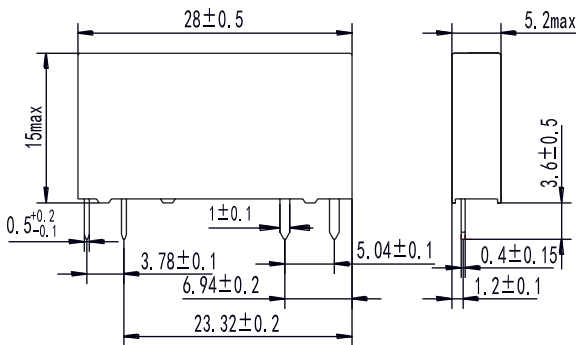
PCB Mount Solid State Relay

Single Phase DC Output

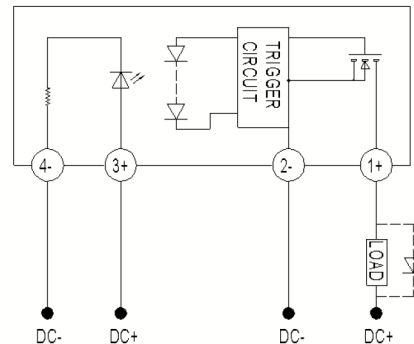
multicomp PRO

General Information	
Dielectric strength Input/Output (50/60Hz)	2500Vrms
Ambient Operating Temperature Range	-30°C ~ +80°C
Ambient Storage Temperature Range	-30°C ~ +100°C
Weight (Typical)	4g

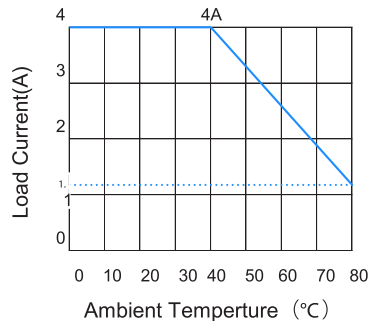
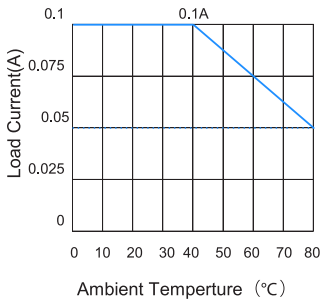
Installation Drawing



Wiring Diagram



Thermal Curve



Part Number Table

Description	Part Number
SSR, PCB Mount, 4A, 24V DC, 12V DC, Zero Crossing	MC002259
SSR, PCB Mount, 4A, 24V DC, 24V DC, Zero Crossing	MC002260
SSR, PCB Mount, 0.1A, 48V DC, 12V DC, Zero Crossing	MC002261

Important Notice : This data sheet and its contents (the "Information") belong to the members of the AVNET group of companies (the "Group") or are licensed to it. No licence is granted for the use of it other than for information purposes in connection with the products to which it relates. No licence of any intellectual property rights is granted. The Information is subject to change without notice and replaces all data sheets previously supplied. The Information supplied is believed to be accurate but the Group assumes no responsibility for its accuracy or completeness, any error in or omission from it or for any use made of it. Users of this data sheet should check for themselves the Information and the suitability of the products for their purpose and not make any assumptions based on information included or omitted. Liability for loss or damage resulting from any reliance on the Information or use of it (including liability resulting from negligence or where the Group was aware of the possibility of such loss or damage arising) is excluded. This will not operate to limit or restrict the Group's liability for death or personal injury resulting from its negligence. Multicomp Pro is the registered trademark of Premier Farnell Limited 2019.

Newark.com/multicomp-pro
 Farnell.com/multicomp-pro
 Element14.com/multicomp-pro

multicomp PRO