

# 150lb. Dual Loop Cable Ties with 1/4" Mounting Hole



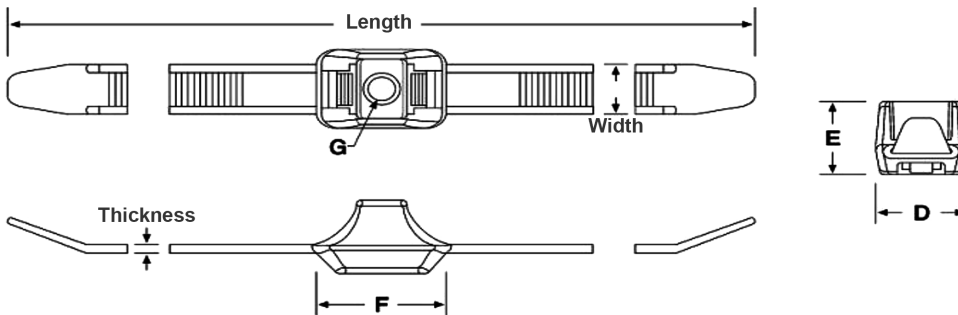
## Features

- Designed to mount and wrap two separate bundles of hoses, wires, cables, or tubing, in parallel to protect them from abrasion or chafing
- Increased flexibility and toughness
- Impact resistant material prevents cracking and breaking due to repeated high impacts and vibration
- 150lb. tensile strength for heavy duty applications
- Heat stabilized to provide high operating temperatures of 230°F
- Mounting hole provides option of securing bundles in heavy duty equipment
- Weather resistant UV Black for outdoor use and sun protection

## Specifications

Type : Dual Loop Cable Tie with 1/4" Mounting Hole  
 Material : Nylon 6.6 / Polyamide  
 Colour : Impact Resistant, UV Black Heat Stabilized  
 Min. Loop Tensile Strength : 150lb. (670N)  
 Flammability Rating : UL 94HB

## Diagram



## Dimensions

Part Number	Bundle Diameter	Length	Thickness	Width	D	E	F	G
	Max. Inches (mm)	Inches (mm)	Inches (mm)	Inches (mm)	Inches (mm)	Inches (mm)	Inches (mm)	Inches (mm)
PP002265	1.3 (33.02)	13.547 (344.093)	0.054 (1.371)	0.503 (12.776)	0.747 (18.973)	0.741 (18.821)	1.107 (28.117)	0.244 (6.197)
PP002266	2.3 (58.42)	19.818 (503.377)	0.057 (1.447)	0.505 (12.827)			1.122 (28.498)	

Newark.com/multicomp-pro  
 Farnell.com/multicomp-pro  
 Element14.com/multicomp-pro



# 150lb. Dual Loop Cable Ties with 1/4" Mounting Hole

**multicomp** PRO

## Part Number Table

Description	Part Number
150lb. Dual Loop Cable Tie with 1/4" Mounting Hole, Impact Resistant & Heat Stabilized, 13", Nylon 6.6. UV Black, PK50	PP002265
150lb. Dual Loop Cable Tie with 1/4" Mounting Hole, Impact Resistant & Heat Stabilized, 19", Nylon 6.6. UV Black, PK50	PP002266

**Important Notice :** This data sheet and its contents (the "Information") belong to the members of the AVNET group of companies (the "Group") or are licensed to it. No licence is granted for the use of it other than for information purposes in connection with the products to which it relates. No licence of any intellectual property rights is granted. The Information is subject to change without notice and replaces all data sheets previously supplied. The Information supplied is believed to be accurate but the Group assumes no responsibility for its accuracy or completeness, any error in or omission from it or for any use made of it. Users of this data sheet should check for themselves the Information and the suitability of the products for their purpose and not make any assumptions based on information included or omitted. Liability for loss or damage resulting from any reliance on the Information or use of it (including liability resulting from negligence or where the Group was aware of the possibility of such loss or damage arising) is excluded. This will not operate to limit or restrict the Group's liability for death or personal injury resulting from its negligence. Multicomp Pro is the registered trademark of Premier Farnell Limited 2019.

Newark.com/multicomp-pro  
Farnell.com/multicomp-pro  
Element14.com/multicomp-pro

**multicomp** PRO