

RoHS  
Compliant



## Specifications

Connector Body Style	: Straight Plug
Coaxial Termination	: Crimp
Connector Mounting	: Cable Mount
Coaxial Cable Type	: RG-174/U

## Electrical Specifications

Frequency Range	: DC – 4GHz
Nominal Impedance	: 50Ω
Voltage Rating	: 335V Max.
VSWR	: 1.3 Max

## Material Specifications

Bodies	: Brass per JIS-C3604 Beryllium Copper per ASTM B196 UNS C17300
Centre Contact	: Beryllium Copper per ASTM B196 UNS C17300
Insulation	: PTFE per ASTM D1457 and ASTM D1710
Crimp Ferrule	: Brass per JIS-C2700

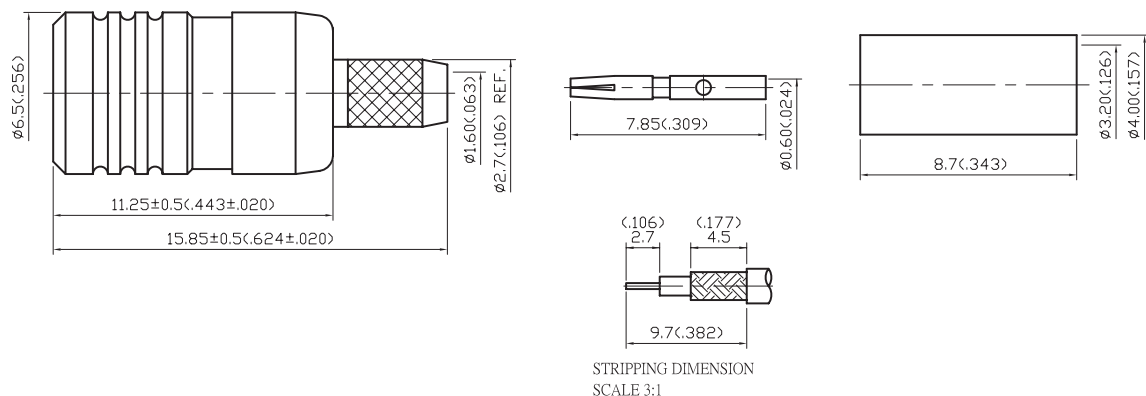
## Mechanical Specifications

Interface in accordance with	: MIL-STD-348A
Cable Attachment	: Outer: Crimp; Inner: Solder
Crimp Size Required	: Ferrule: 3.5mm (0.138") Hex. Crimp Tool

## Environmental Specifications

Operating Temperature	: -65°C to +165°C
-----------------------	-------------------

## Diagram



Dimensions : Millimetres (Inches)

No.	Description	Material	Finish
1	Spring	Beryllium Copper	Gold
2	Shell	Brass	Gold 3μ" Min.
3	Body	Brass	Gold 3μ" Min.
4	Insulation	PTFE	-
5	Chassis	Brass	Gold 3μ" Min.
6	Centre Contact	Beryllium Copper	Gold 30μ" Min.
7	Crimp Ferrule	Brass	Gold

## Part Number Table

Description	Part Number
SMB Straight Plug, Crimp, 50Ω, RG-174/U	24-05L-15-TGG

**Important Notice :** This data sheet and its contents (the "Information") belong to the members of the AVNET group of companies (the "Group") or are licensed to it. No licence is granted for the use of it other than for information purposes in connection with the products to which it relates. No licence of any intellectual property rights is granted. The Information is subject to change without notice and replaces all data sheets previously supplied. The Information supplied is believed to be accurate but the Group assumes no responsibility for its accuracy or completeness, any error in or omission from it or for any use made of it. Users of this data sheet should check for themselves the Information and the suitability of the products for their purpose and not make any assumptions based on information included or omitted. Liability for loss or damage resulting from any reliance on the Information or use of it (including liability resulting from negligence or where the Group was aware of the possibility of such loss or damage arising) is excluded. This will not operate to limit or restrict the Group's liability for death or personal injury resulting from its negligence. Multicomp Pro is the registered trademark of Premier Farnell Limited 2019.