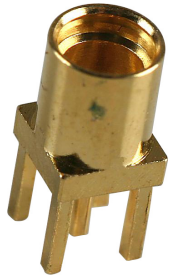


MMCX Straight PCB Mount Jack Receptacle

multicomp PRO



Specifications

Connector Body Style : Straight Jack Receptacle
 Coaxial Termination : Through Hole
 Connector Mounting : PCB Mount

**RoHS
Compliant**

Electrical Specifications

Frequency Range : DC – 6GHz
 Nominal Impedance : 50Ω
 Voltage Rating : 250V Max.
 VSWR : 1.22 Max.

Material Specifications

Bodies : Brass per JIS-C3604
 Centre Contact : Beryllium Copper per ASTM B196 UNS C17300
 Insulation : PTFE per ASTM D1457 and ASTM D1710

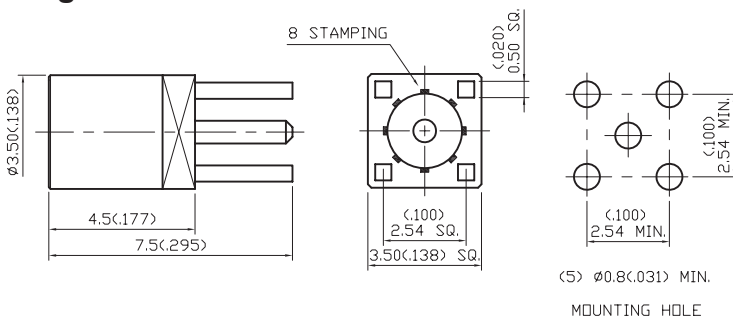
Mechanical Specifications

Interface in accordance with : BS EN 122340

Environmental Specifications

Operating Temperature : -55°C to +155°C

Diagram



Dimensions : Millimetres (Inches)

No.	Description	Material	Finish
1	Body	Brass	Gold 3μ" Min.
2	Insulation	PTFE	-
3	Centre Contact	Beryllium Copper	Gold 30μ" Min.

Part Number Table

Description	Part Number
MMCX Straight PCB Mount Jack Receptacle, 50Ω	37-06-TGG

Important Notice : This data sheet and its contents (the "Information") belong to the members of the AVNET group of companies (the "Group") or are licensed to it. No licence is granted for the use of it other than for information purposes in connection with the products to which it relates. No licence of any intellectual property rights is granted. The Information is subject to change without notice and replaces all data sheets previously supplied. The Information supplied is believed to be accurate but the Group assumes no responsibility for its accuracy or completeness, any error in or omission from it or for any use made of it. Users of this data sheet should check for themselves the Information and the suitability of the products for their purpose and not make any assumptions based on information included or omitted. Liability for loss or damage resulting from any reliance on the Information or use of it (including liability resulting from negligence or where the Group was aware of the possibility of such loss or damage arising) is excluded. This will not operate to limit or restrict the Group's liability for death or personal injury resulting from its negligence. Multicomp Pro is the registered trademark of Premier Farnell Limited 2019.

Newark.com/multicomp-pro
 Farnell.com/multicomp-pro
 Element14.com/multicomp-pro

multicomp PRO