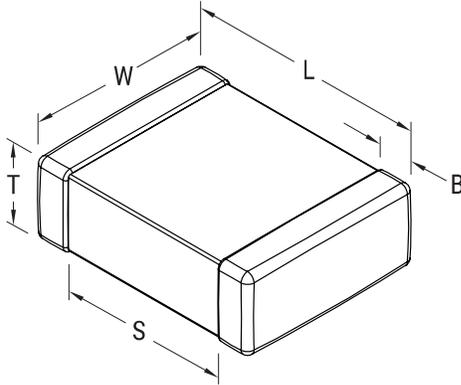


CAS SMD SFTY 250, Ceramic, 56 pF, 5%, COG, Industrial Grade, Safety MLCC, X2, 1812



Dimensions	
Chip Size	1812
L	4.5mm +0.5/-0.3mm
W	3.2mm +/-0.4mm
T	1.25mm +/-0.1mm
S	3.5mm MIN
B	0.5mm +/-0.25mm

Packaging Specifications	
Packaging:	T&R
Packaging Quantity:	1000

General Information	
Series:	CAS SMD SFTY 250
Style:	SMD Chip
Description:	Industrial Grade, Safety MLCC
RoHS:	Yes
Termination:	Tin
Safety Class:	X2
AEC-Q200:	No
Halogen Free:	Yes

Specifications	
Capacitance:	56 pF
Measurement Condition:	1 MHz 1Vrms
Capacitance Tolerance:	5%
Voltage AC:	250 VAC (X2)
Temperature Range:	-55/+125°C
Temperature Coefficient:	COG
Capacitance Change with Reference to +25°C and 0 VDC Applied (TCC):	30 ppm/C, 1kHz 1.0Vrms
Insulation Resistance:	100 GOhms
Quality Factor:	1000