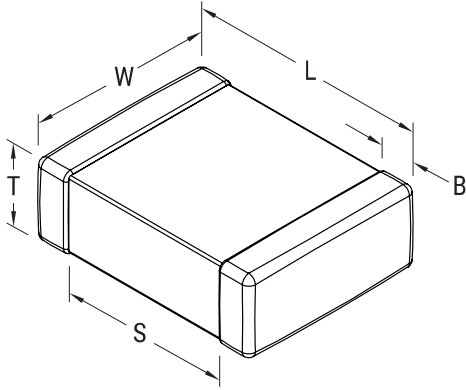


CAS SMD SFTY 250, Ceramic, 22 pF, 1%, COG, Industrial Grade, Safety MLCC, X1/Y2, 2211



**Dimensions**

| Dimensions |                |
|------------|----------------|
| Chip Size  | 2211           |
| L          | 5.7mm +/-0.4mm |
| W          | 2.8mm +/-0.3mm |
| T          | 2mm +/-0.2mm   |
| S          | 4mm MIN        |
| B          | 0.6mm +/-0.3mm |

**Packaging Specifications**

|                     |      |
|---------------------|------|
| Packaging:          | T&R  |
| Packaging Quantity: | 1000 |

**General Information**

|               |                               |
|---------------|-------------------------------|
| Series:       | CAS SMD SFTY 250              |
| Style:        | SMD Chip                      |
| Description:  | Industrial Grade, Safety MLCC |
| RoHS:         | Yes                           |
| Termination:  | Tin                           |
| Safety Class: | X1/Y2                         |
| AEC-Q200:     | No                            |
| Halogen Free: | Yes                           |

**Specifications**

|   |                            |
|---|----------------------------|
| Capacitance:  | 22 pF                      |
| Measurement Condition:  | 1 MHz 1Vrms                |
| Capacitance Tolerance:  | 1%                         |
| Voltage AC:   | 250 VAC (X1), 250 VAC (Y2) |
| Temperature Range:  | -55/+125°C                 |
| Temperature Coefficient:  | COG                        |
| Capacitance Change with Reference to +25°C and 0 VDC Applied (TCC): | 30 ppm/C, 1kHz 1.0Vrms     |
| Insulation Resistance:  | 100 GOhms                  |
| Quality Factor:   | 840                        |