

Product Name: STRETCH SPOUT HOSE EXTENSION

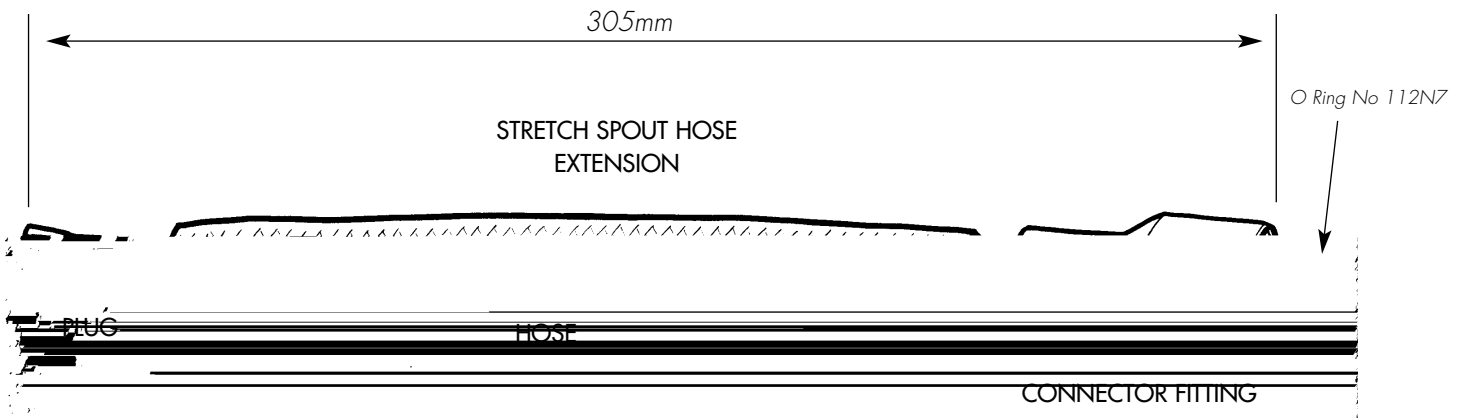
Part Number: 062499

Dimensions:
Length - 305 mm / 12.0 inches
Hose Diameter - 19mm / 0.75 inches
Outlet Size - 12mm / 0.5 inches

Weight: 70 grams / 2.5 ounces

Material:
Connector Fitting - High Density Polyethylene (HDPE)
Hose - Reinforced PVC Hose
Plug - High Density Polyethylene (HDPE)
O Ring - Nitrile (Bung N)

NOT SUITABLE FOR USE WITH FUELS OR SOLVENTS



Product Name: STRETCH SPOUT LID

Dimensions: Width - 147mm / 5.80 inches
Length - 390 mm / 12.60 inches
Height - 235 mm / 9.25 inches

Spout outlet size - 12mm / 0.5 inches

Weight: 440 grams / 15.5 ounces

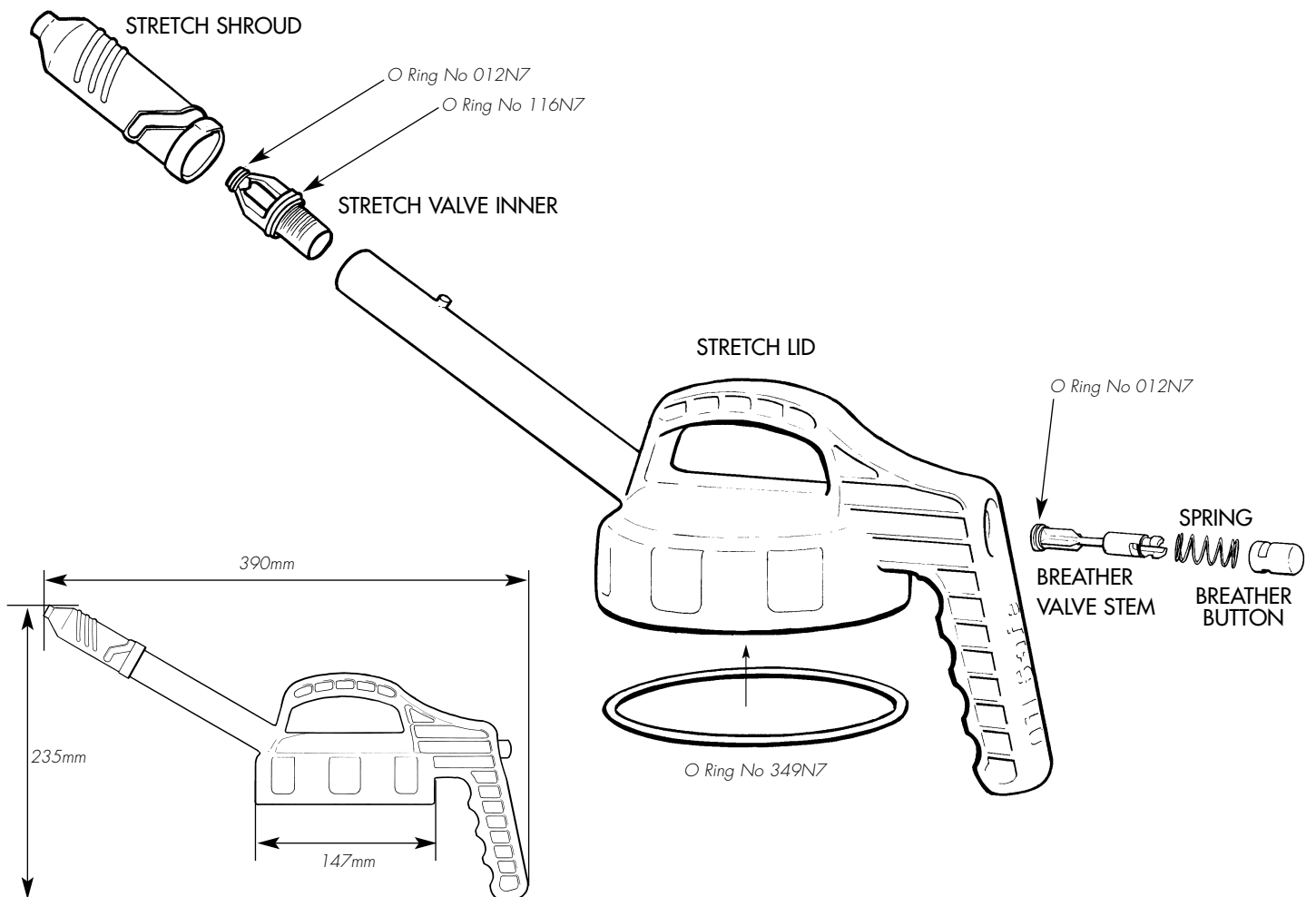
Material: High Density Polyethylene (HDPE)
Very chemically - resistant plastic however, contact with strong oxidising acids (eg. Ozone, Hydrogen Peroxide, Halogen etc) should be avoided.

NOT SUITABLE FOR USE WITH FUELS OR SOLVENTS

Service Temperature: - 40 Deg C to 80 Deg C / - 40 Deg F to 176 Deg F

Additives: UV Stabiliser
Anti Static Additive

Sealing Components: Nitrile O Ring (Buna N)



Product Name: UTILITY LID

Dimensions: Diameter - 147 mm / 5.84 inches
Height - 121 mm / 4.76 inches
Outlet Size - 48 mm / 1.89 inches

Weight: 240 grams / 8.4 ounces

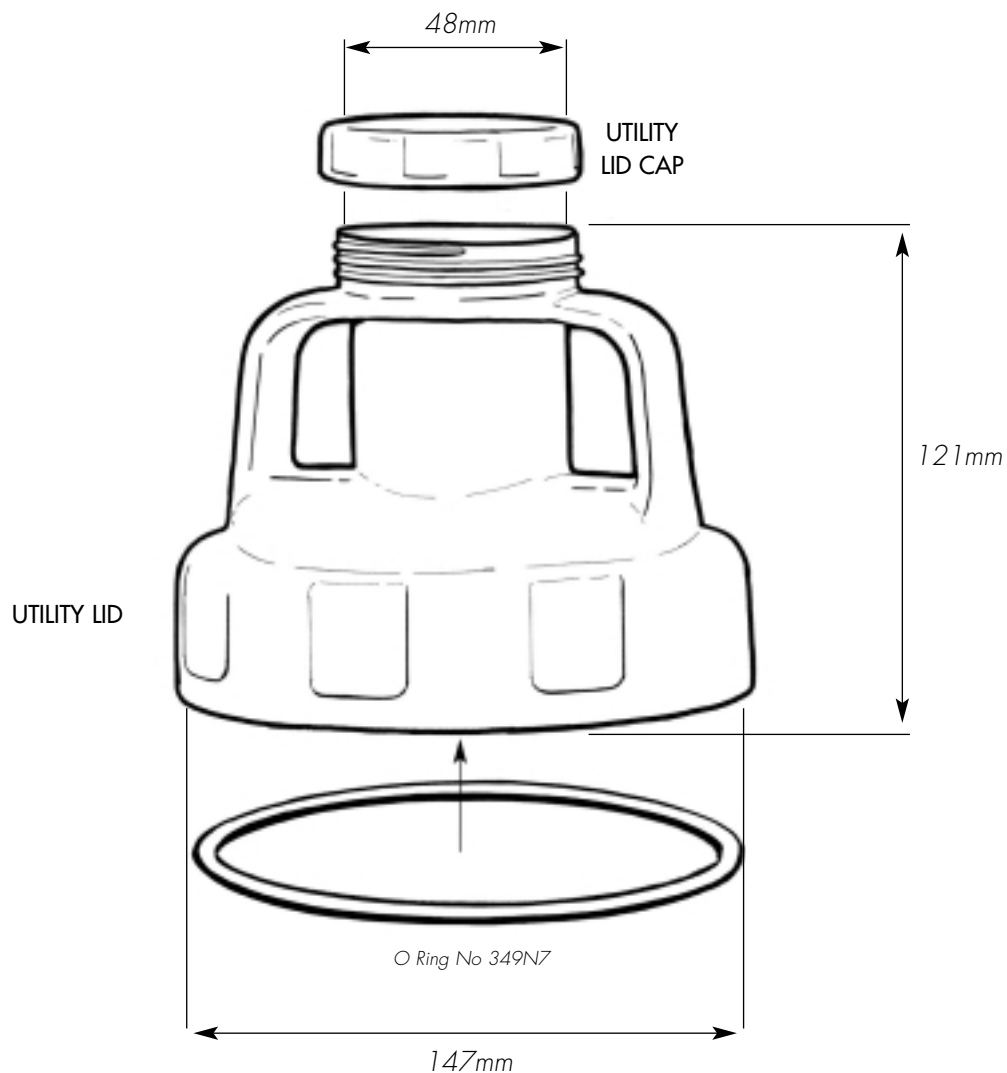
Material: High Density Polyethylene (HDPE)
Very chemically - resistant plastic however, contact with strong oxidising acids (eg. Ozone, Hydrogen Peroxide, Halogen etc) should be avoided.

NOT SUITABLE FOR USE WITH FUELS OR SOLVENTS

Service Temperature: - 40 Deg C to 80 Deg C / - 40 Deg F to 176 Deg F

Additives: UV Stabiliser
Anti Static Additive

Sealing Components: Nitrile O Ring (Buna N)



Product Name: 3 LITRE / 3 US QUART DRUM

Product Code: 063595

Dimensions: Width - 160mm / 6.3 inches
Height - 269mm / 10.6 inches
Outlet Size - 120mm / 4.7 inches

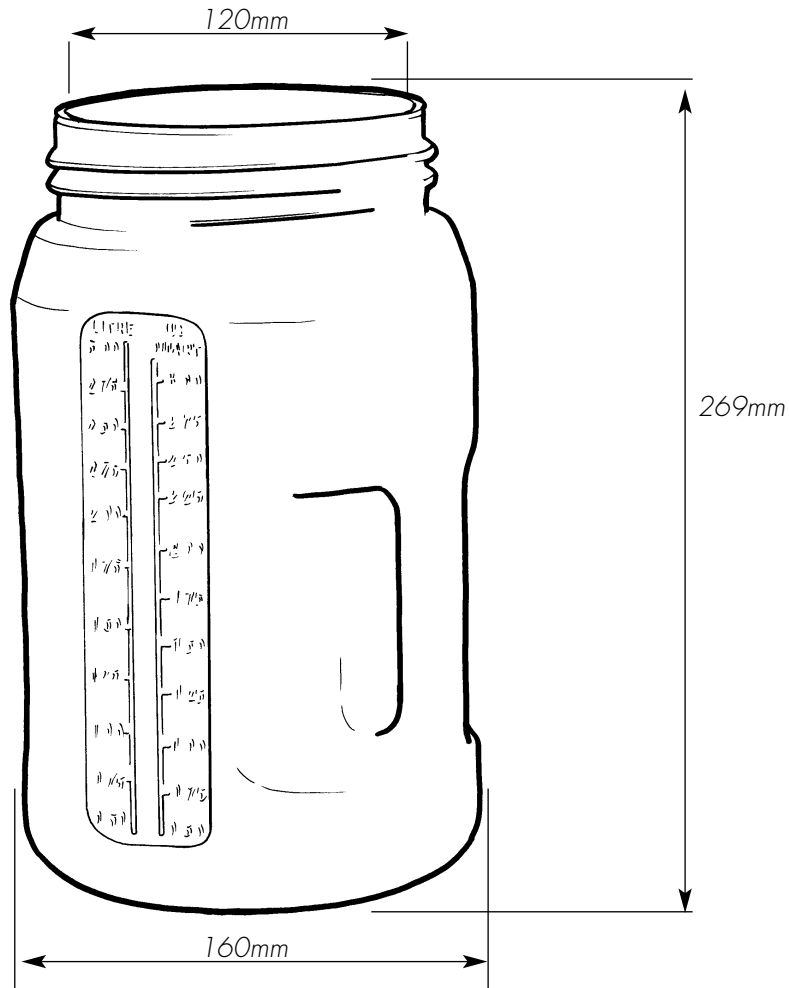
Weight: 400 grams / 14 ounces

Material: Ultra High Density Polyethylene (HDPE)
Excellent impact strength
Exceptionally good ESCR
Very chemically resistant plastic however, contact with strong oxidising acids (eg. Ozone, Hydrogen Peroxide, Halogen etc) should be avoided.

NOT SUITABLE FOR USE WITH FUELS OR SOLVENTS

Service Temperature: - 40 Deg C to 80 Deg C / - 40 Deg F to 176 Deg F

Additives: UV Stabiliser
Anti Static Additive



Product Name: 5 LITRE / 5 US QUART DRUM

Product Code: 063618

Dimensions: Width - 196mm / 7.7 inches
Height - 271mm / 10.7 inches
Outlet Size - 120mm / 4.7 inches

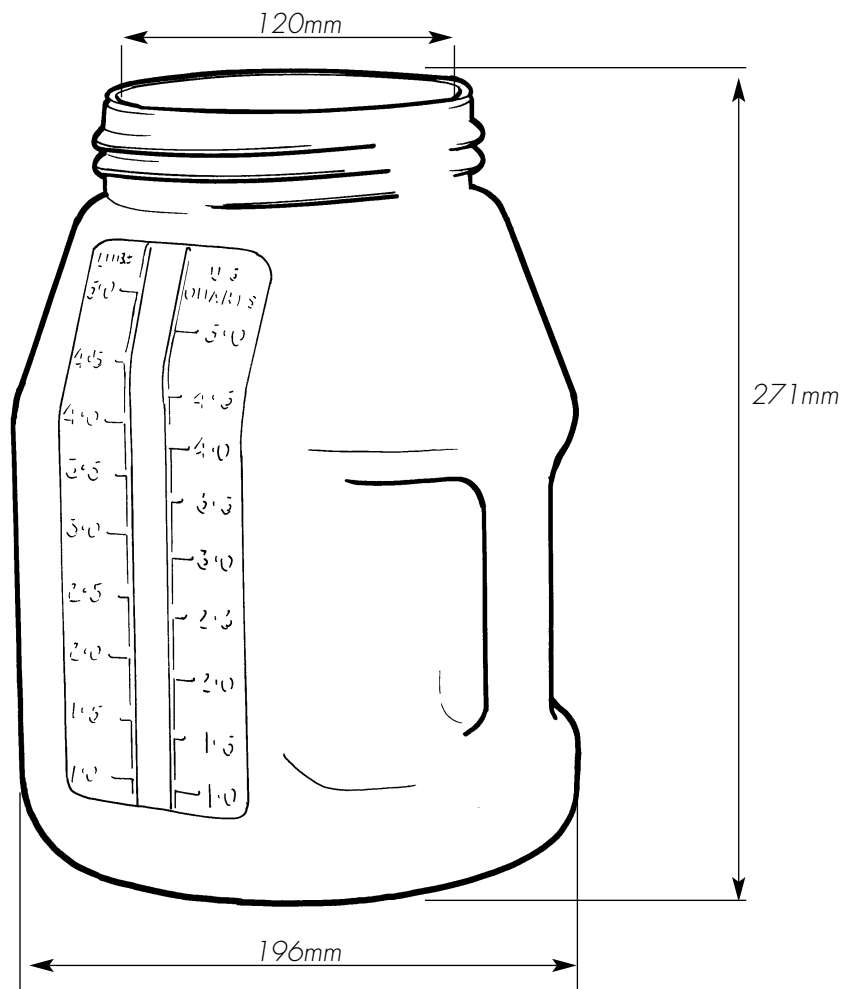
Weight: 440 grams / 15.5 ounces

Material: Ultra High Density Polyethylene (HDPE)
Excellent impact strength
Exceptionally good ESCR
Very chemically resistant plastic however, contact with strong oxidising acids (eg. Ozone, Hydrogen Peroxide, Halogen etc) should be avoided.

NOT SUITABLE FOR USE WITH FUELS OR SOLVENTS

Service Temperature: - 40 Deg C to 80 Deg C / - 40 Deg F to 176 Deg F

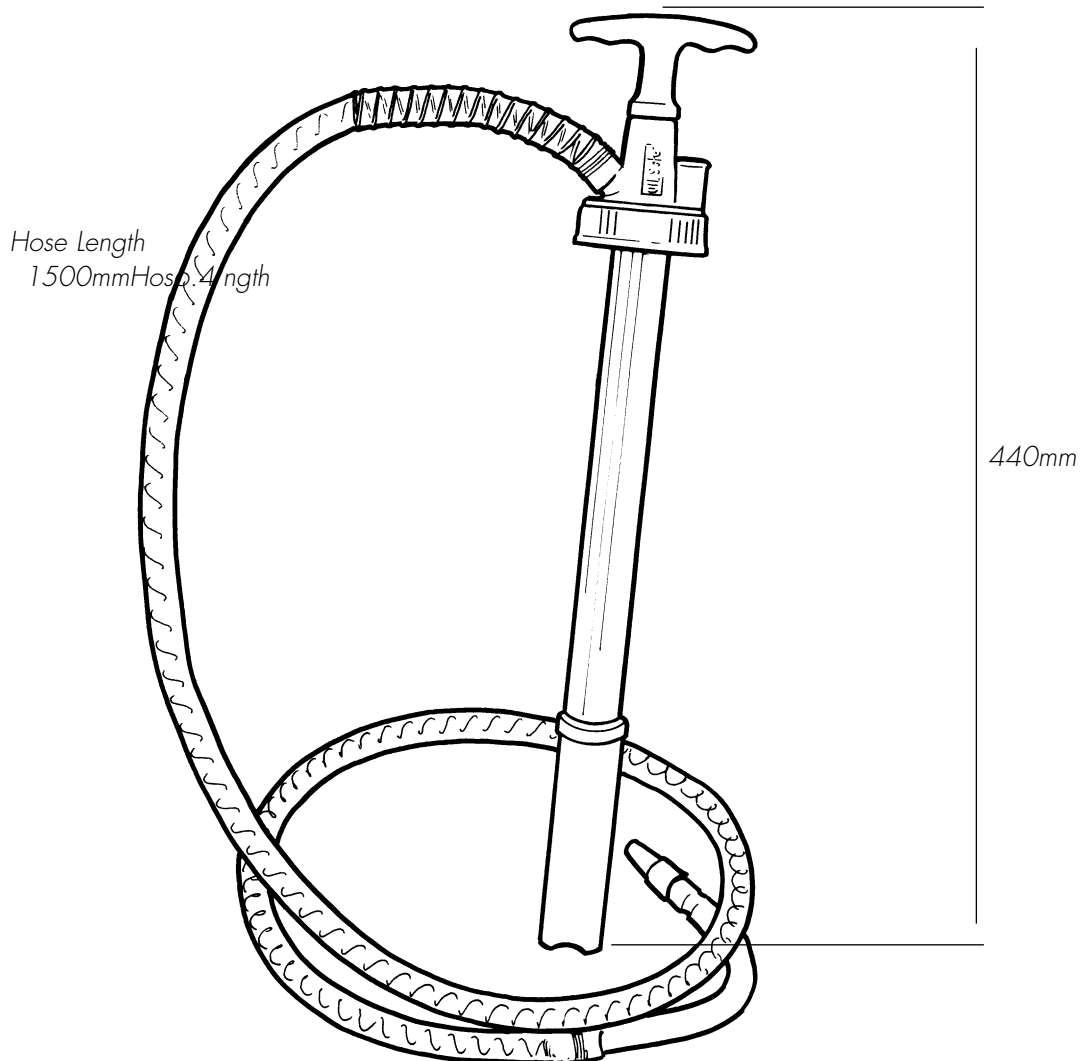
Additives: UV Stabiliser
Anti Static Additive



Product Name:	OIL SAFE PUMP
Part Number:	062567
Dimensions:	Pump Length - 440 mm / 17.3 inches Hose Length - 1500 mm / 59 inches Outlet Size - 12mm / 0.5 inches
Weight:	854 grams / 30 ounces
Material:	Nozzle - Aluminium Hose - PVC Group 2 Pump Body - Nylon Poly Amide p.a.6 Pump Shaft - Mild Steel Pump Cylinder - Zinc Plated Mild Steel Pump Extension Sleeve - High Density Polyethylene (HDPE)

NOT SUITABLE FOR USE WITH FUELS OR SOLVENTS

Sealing Components: Nitrile



Product Name:	STORAGE LID
Dimensions:	Diameter - 147mm / 5.80 inches Height - 105mm / 4.20 inches
Weight:	240 grams / 8.4 ounces
Material:	High Density Polyethylene (HDPE) Very chemically - resistant plastic however, contact with strong oxidising acids (eg. Ozone, Hydrogen Peroxide, Halogen etc) should be avoided. NOT SUITABLE FOR USE WITH FUELS OR SOLVENTS
Service Temperature:	- 40 Deg C to 80 Deg C / - 40 Deg F to 176 Deg F
Additives:	UV Stabiliser Anti Static Additive
Sealing Components:	Nitrile O Ring (Buna N)

