

SPECIFICATIONS

[1. General Specifications]

Product Name		Rotating Beacons				
Model		SF10-M1□□□-□		SF10-M2□□□-□		
Rated Voltage		12-24V DC		100-240V AC (50/60Hz)		
Operating Voltage Range		10-30V DC		90-250V AC		
Rated Current Consumption	Max.	No Buzzer	12V DC	24V DC	100V AC	240V AC
		With Buzzer	0.62A	0.32A	0.19A	0.08A
Rated Power Consumption	Max.	No Buzzer	0.64A	0.34A	0.20A	0.08A
		With Buzzer	7.4W	7.7W	8.5W	8.8W
Operating Ambient Temperature		-20°C to +50°C				
Operating Ambient Humidity		Less than 90 % (No condensation)				
Storage Ambient Temperature		-30°C to +60°C				
Storage Ambient Humidity		Less than 90 % (No condensation)				
Mounting Location		Indoor/Outdoor				
Mounting Direction		Indoor : Upright, Inverted & Sideways Outdoor : Upright				
Protection Rating		SF10-M□JN	IP23			
		SF10-M□KT□	IP65(SZW-103 [Rubber Gasket] Attachment) IP66/NEMA TYPE 4X,13			
Environmental Condition		Upright				
Insulation Resistance		More than 1MΩ at 500V DC between live part and non-current carrying metallic part		More than 3MΩ at 500V DC between live part and non-current carrying metallic part		
Withstand Voltage		500V AC applied for 1min between live part and non-current carrying metallic part without breaking insulation		4,000V AC applied for 1min between live part and non-current carrying metallic part without breaking insulation		
Mass (Typ.)		SF10-M1JN	0.40kg	SF10-M2JN	0.43kg	
		SF10-M1KTN	0.39kg	SF10-M2KTN	0.42kg	
		SF10-M1KTB	0.40kg	SF10-M2KTB	0.43kg	
Sound Pressure Level (Typ.)		88dB				
Environmental Condition		Front direction from the Buzzer Aperture/at 1m				
Rotation Flashing Rate(Typ.)		180 R.P.M.[High Speed], 120 R.P.M.[Middle Speed], 60R.P.M.[Low Speed]				
Flashing Rate(Typ.)		Single Flash(60 flashes per minute), Double Flash(90 flashes per minute)				
		Triple Flash(120 flashes per minute), Pulse(20 flashes per minute)				
Conformity Standards		UL	UL508, CSA-C22.2 No.14 (UL File No.E215660)			
		EMC Directive	EN61000-6-4	EN61000-6-4, EN61000-6-2		
			EN61000-6-2	EN61000-3-2, EN61000-3-3		
		KC	KN61000-6-4, KN61000-6-2			
		FCC	FCC Part15 SubpartB ClassA, ICES-003 ClassA			
		RoHS Directive	EN50581			
		Low Voltage Directive	IEC/EN60947-5-1,EN62471			
EAC	TPTC020/2011		TPTC020/2011, TPTC004/2011			
		UL, Low Voltage Directive, and EAC have been evaluated for use in indoor industrial control equipment.				
Remarks		Due to the characteristics of the LED elements, a variation in difference of the color tone and brightness of every product may occur.				

[2. Model Number Configuration]

S F 1 0 - M 1 K T B - R

■ Rated Voltage

M1 : 12-24V DC
M2 : 100-240V AC

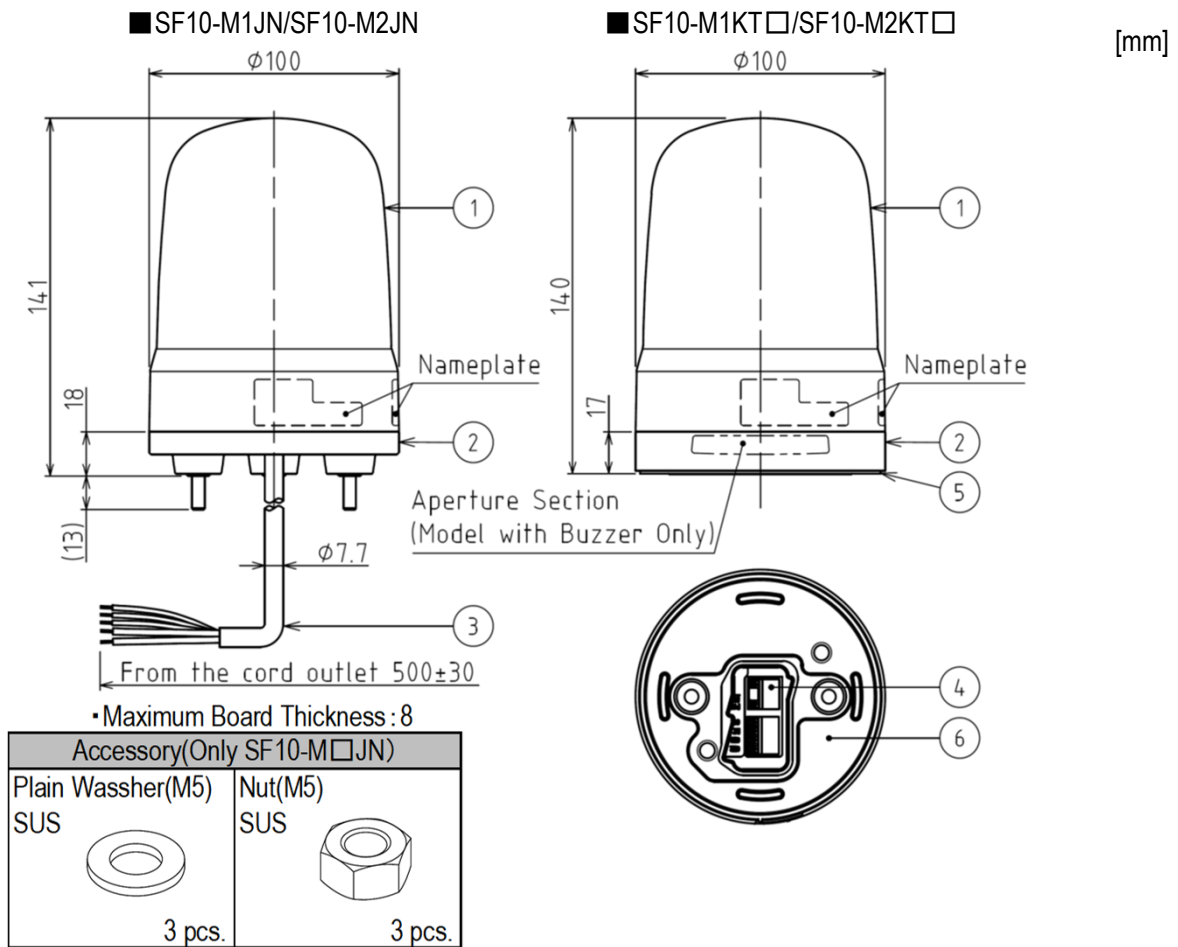
■ Installation · Wiring · Buzzer

JN : 3-point Bolt Leg Mounting · Cabtyre Cord · No Buzzer
KTN : 2-point Hole Type Mounting · Terminal block · No Buzzer
KTB : 2-point Hole Type Mounting · Terminal block · With Buzzer

■ LED Unit Color

R : Red
Y : Amber
G : Green
B : Blue

[3. Outer Dimensions]

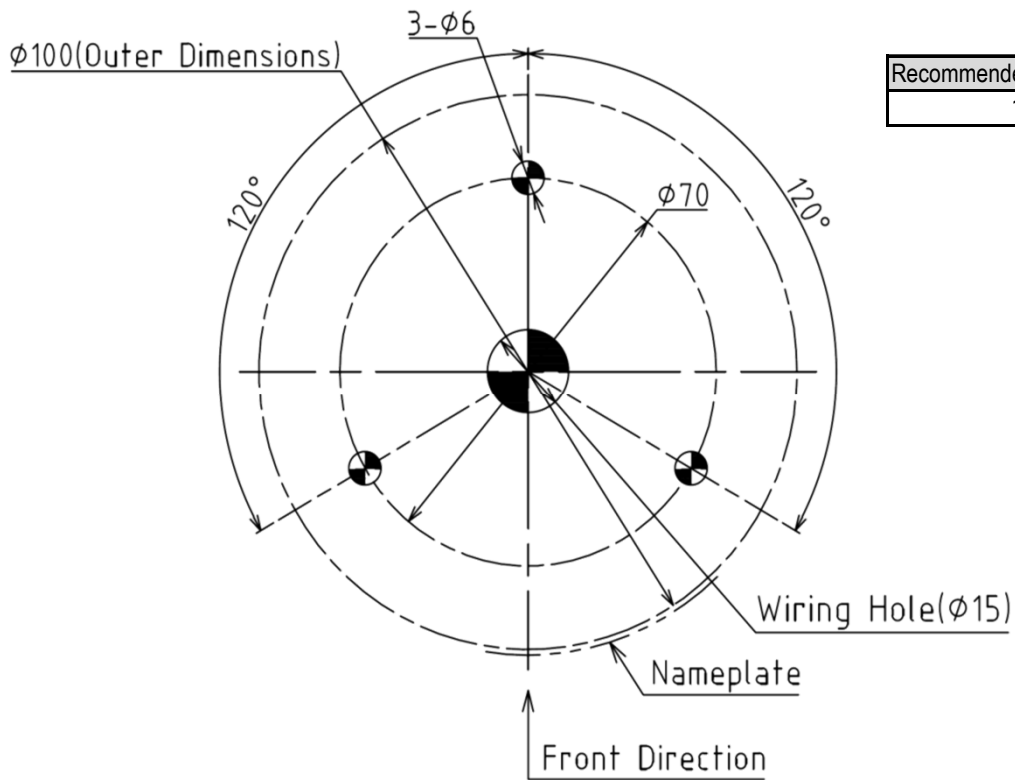


Number	Name	Material · Specification
1	Globe	PC
2	Case	PC
3	Cabtyre Cord	PVC, M1JN : AWG22×5, M2JN : AWG18×2+AWG24×3
4	Terminal block	LCP GF, Applicable wire size Solid Wire : 0.13-1.5mm ² , Stranded Wire : AWG28-14
5	Mounting Bracket	PC
6	Waterproof Sheet	Silicone

[4. Mounting Dimensional Drawing]

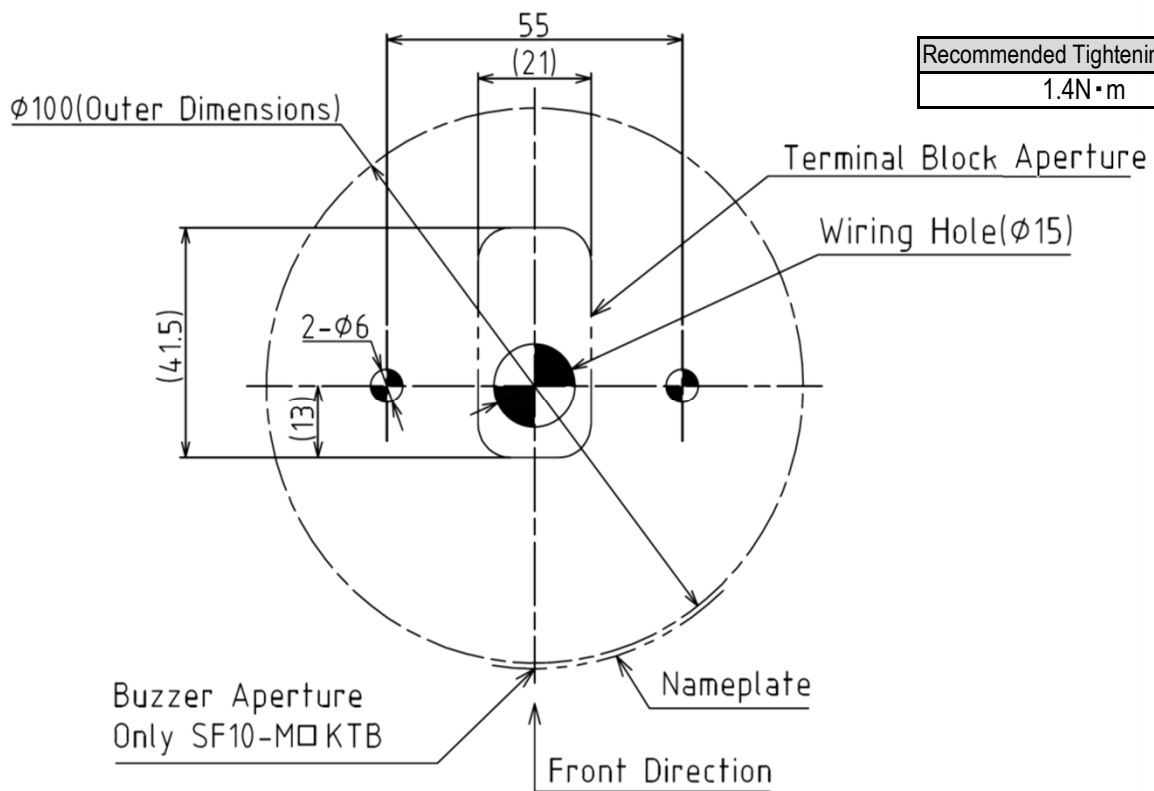
■ SF10-M1JN/SF10-M2JN

[mm]



Recommended Tightening Torque
1.4N·m

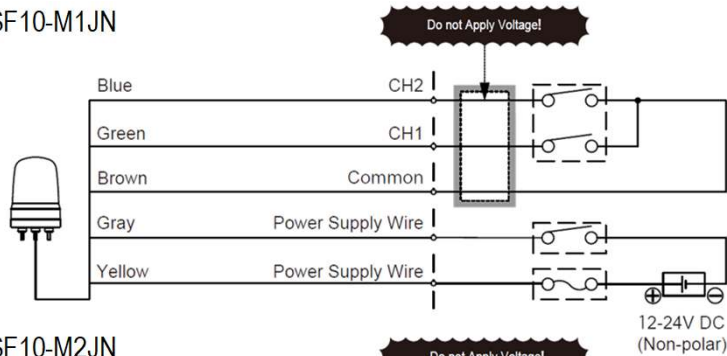
■ SF10-M1KT□/SF10-M2KT□



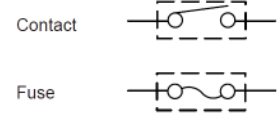
Recommended Tightening Torque
1.4N·m

[5.Wiring Diagram]

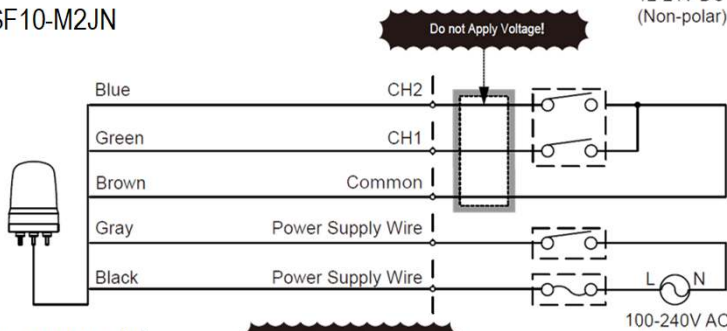
■ SF10-M1JN



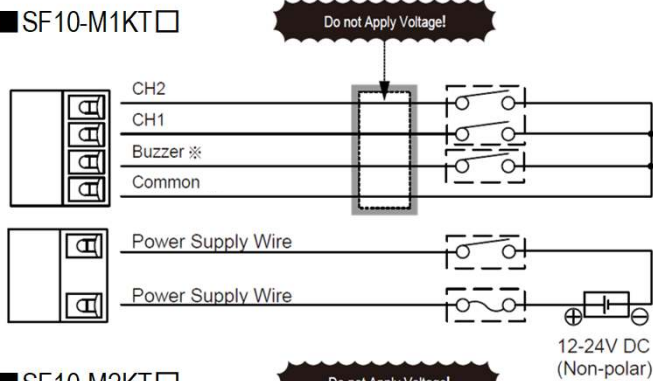
Symbol



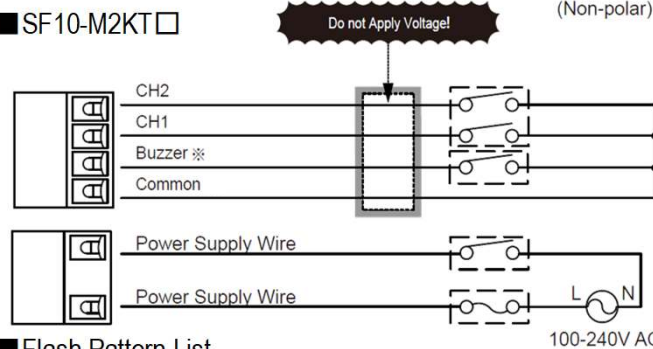
■ SF10-M2JN



■ SF10-M1KT □



■ SF10-M2KT □



※For No Buzzer Model,
do not require wiring.

■ Flash Pattern List

Rotary SW	Wiring [CH1/CH2]			
	CH1 OFF/CH2 OFF	CH1 ON/CH2 OFF	CH1 OFF/CH2 ON	CH1 ON/CH2 ON
Group 0	Turn off	Rotation(120R.P.M.)	Triple Flash	Dim. Rotation(120R.P.M.)
Group 1	Turn off	Rotation(180R.P.M.)	Triple Flash	Dim. Rotation(180R.P.M.)
Group 2	Turn off	Triple Flash	Pulse	Dim. Triple Flash
Group 3	Turn off	Rotation(60R.P.M.)	Rotation(120R.P.M.)	Rotation(180R.P.M.)
Group 4	Turn off	Single Flash	Double Flash	Triple Flash
Group 5	Triple Flash	Dim. Triple Flash	Half Triple Flash	Dim. Half Triple Flash
Group 6	Pulse	Dim. Pulse	Half Pulse	Dim. Half Pulse
Group 7	Rotation(60R.P.M.)	Dim. Rotation(60R.P.M.)	Half Rotation(60R.P.M.)	Dim. Half Rotation(60R.P.M.)
Group 8	Rotation(120R.P.M.)	Dim. Rotation(120R.P.M.)	Half Rotation(120R.P.M.)	Dim. Half Rotation(120R.P.M.)
Group 9	Rotation(180R.P.M.)	Dim. Rotation(180R.P.M.)	Half Rotation(180R.P.M.)	Dim. Half Rotation(180R.P.M.)

※Half : The front of the product light up.