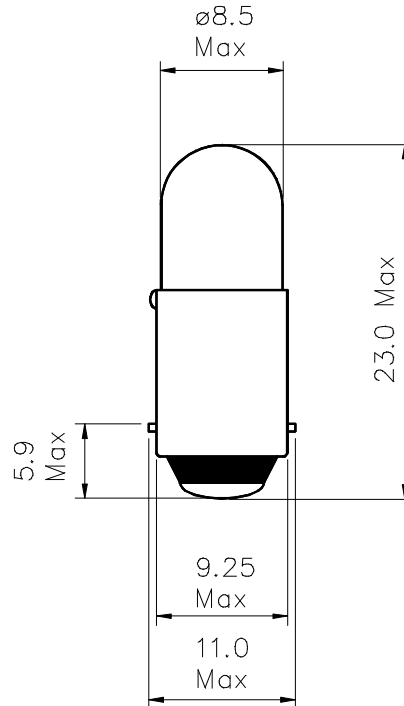


Type	Size	Description	Part No.
Incandescent	T9 (T-2¾)	Miniature Bayonet lamp	(see table)



Drawing not to scale  
All dimensions in mm

### PHOTOMETRY DATA

Farnell Part No.	SLI P/N	Lamp Rating	Test Volts	Current (mA)			Light Output (Lm)			Fil Shape	Life (Hrs)
				Min	Nom	Max	Min	Nom	Max		
328390	1164-1	6V 2W	6	300	333	366	4.7	6.3	7.9	C-2R	15000
328406	1135-1	12V 2W	12	150	167	184	4.7	6.3	7.9	C-2F	10000
328418	1127-1	24V 1.2W	24	45	50	55	1.9	2.5	3.1	C-2F	10000
328420	1137-1	24V 2W	24	72	80	88	4.7	6.3	7.9	C-2F	10000
620520	1129-1	30V 2W	30	63	70	77	6.6	8.8	11.0	C-2F	1000
328431	1130-1	36V 2W	36	50	56	62	5.6	7.5	9.4	CC-2F	5000
328443	1138-1	48V 2W	48	37	42	47	3.7	5.0	6.3	CC-2F	5000
328455	1142-1	60V 2W	60	30	33	36	3.5	5.0	6.5	CC-2F	3000

### NOTES:

- 1) BA9s/13 nickel-plated bayonet cap in accordance with IEC 61-1, (BS EN 60061-1), sheet 7004-14-x.
- 2) Metal base to be durably marked with rating and trademark.
- 3) Products rated at 50Vac and above shall conform to European standards and directives SI 1994/3260, 73/23/EEC and 93/68/EEC and display the CE mark on the packaging labels.