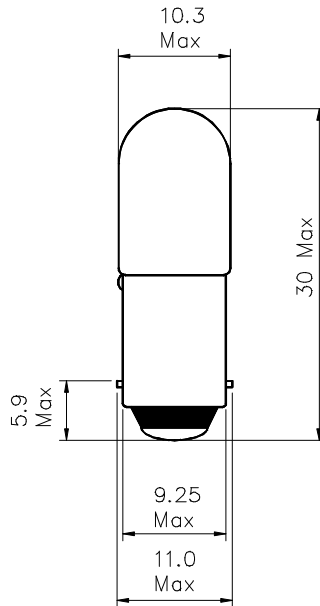


Type	Size	Description	Part No.
Incandescent	T10 (T-3¼)	Miniature Bayonet lamp (30 MOL)	(see table)



Drawing not to scale
All dimensions in mm

PHOTOMETRY DATA

Farnell Part No.	SLI P/N	Lamp Rating	Test Volts	Current (mA)			Light Output (Lm)			Fil Shape	Life (Hrs)
				Min	Nom	Max	Min	Nom	Max		
653720	755	6.3V 0.94W	6.3	135	150	165	3.6	4.1	4.7	C-2R	20000
653731	47	6.3V 0.94W	6.3	135	150	165	4.9	6.5	8.1	C-2R	3000
653743	44	6.3V 1.57W	6.3	225	250	275	8.5	11.3	14.1	C-2R	3000
653755	756	14V 1.12W	14	72	80	88	3.0	3.9	4.8	C-2F	15000
653767	1815	14V 2.6W	14	180	200	220	13.2	17.6	22	C-2V	3000
653779	1813	14.4V 1.4W	14.4	90	100	110	8.1	10.8	13.5	C-2V	1000
328534	1819	28V 1.12W	28	36	40	44	3.2	4.3	5.4	C-2F	3000
653792	1829	28V 1.96W	28	63	70	77	10	12.6	15	C-2F	1000
653809	757	28V 2.24W	28	72	80	88	6.0	7.8	9.5	C-2F	7500
653810	1820	28V 2.8W	28	90	100	110	15	20	25	C-2F	1000
328546	1864	28V 4.76W	28	153	170	187	30	38	45	C-2F	1000
653834	313	28V 4.76W	28	153	170	187	33	44	55	C-2F	500
653846	1835	55V 2.75W	55	45	50	55	10.4	13.8	17.2	CC-2F	5000

NOTES:

- 1) BA9s/13 nickel-plated bayonet cap in accordance with IEC 61-1, (BS EN 60061-1), sheet 7004-14-x.
- 2) Metal base to be durably marked with rating and trademark.
- 3) Products rated at 50Vac and above shall conform to European standards and directives SI 1994/3260, 73/23/EEC and 93/68/EEC and display the CE mark on the packaging labels.