

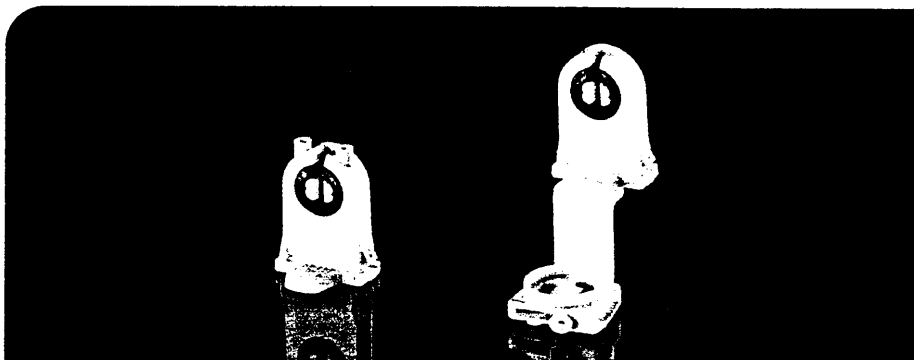
# Push through lampholders G 13

Lamp centre 22.5 mm

26.255



530-610



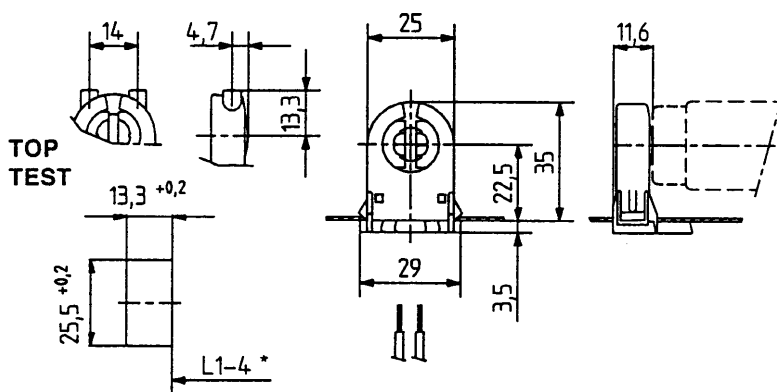
Max. permissible temperature  $T_m$  at the rear of the lampholder: 110°C

A pair of lampholders provides a lamp length tolerance compensation of 3 mm

Holder body: PC

For enclosed cut-outs

			<b>T130</b>					
Bypass-Rotor		Front Test			0.5 - 1.0 mm <sup>2</sup>	0.6 - 1.3 1.2 - 2.0	CAD	see pages 100...



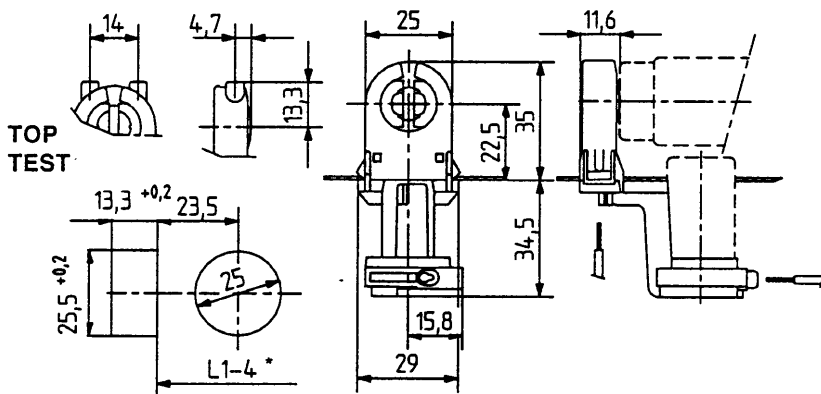
**without locating pin** pkg. wt. part no.  
**without starter holder**

Material thickness: 0.6 - 1.3 mm 250 8g 26.255.4406.5

with Top Test 250 8g 26.255.4306.5

UL CB - approved 250 8g 26.255.6406.8

Material thickness: 1.2 - 2.0 mm 250 8g 26.255.4431.5



**without locating pin**  
**with starter holder**

Material thickness: 0.6 - 1.3 mm 250 13g 26.255.5006.5

with Top Test 250 13g 26.255.5306.5

Material thickness: 1.2 - 2.0 mm 250 13g 26.255.5031.5

L1 for 18 w. lamps - 589.8 mm  
L1 for 36 w. lamps - 1 199.4 mm  
L1 for 58 w. lamps - 1 500.0 mm  
L1 for 70 w. lamps - 1 764.0 mm

\*Recommended dimension - The distance between the holes and the tolerance should be governed by the dimensions of the respective lamps and luminaires.

The page is only valid in connection with the general information and notes of the complete catalogue, issue 1994 - 1997