

FEATURES

- Real time clock counts seconds, minutes, hours, date of the month, month, day of the week, and year with leap year compensation valid up to 2100
- 96-byte nonvolatile RAM for data storage
- Two Time of Day Alarms – programmable on combination of seconds, minutes, hours, and day of the week
- Serial interface supports Motorola Serial Peripheral Interface (SPI) serial data ports or standard 3-wire interface
- Burst Mode for reading/writing successive addresses in clock/RAM
- Dual power supply pins for primary and backup power supplies
- Optional trickle charge output to backup supply
- 2.5 – 5.5 volt operation
- Optional 2.0 – 5.5 volt full operation also available
- Optional industrial temperature range –40°C to +85°C
- Available in space-efficient 20-pin TSSOP package

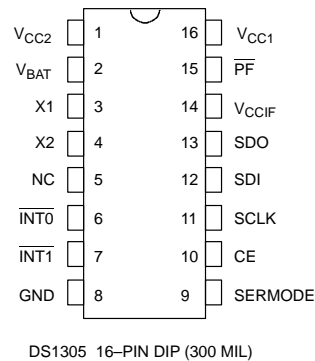
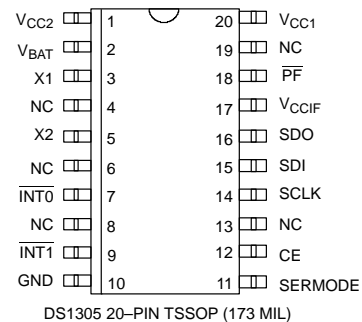
ORDERING INFORMATION

DS1305	16-Pin DIP
DS1305N	16-Pin DIP (Industrial)
DS1305E	20-Pin TSSOP
DS1305EN	20-Pin TSSOP (Industrial)

DESCRIPTION

The DS1305 Serial Alarm Real Time Clock provides a full BCD clock calendar which is accessed via a simple serial interface. The clock/calendar provides seconds, minutes, hours, day, date, month, and year information. The end of the month date is automatically adjusted for months with less than 31 days, including corrections for leap year. The clock operates in either the 24-hour or 12-hour format with AM/PM indicator. In addition 96 bytes of nonvolatile RAM are provided for data storage.

PIN ASSIGNMENT



PIN DESCRIPTION

V _{CC1}	– Primary Power Supply
V _{CC2}	– Backup Power Supply
V _{BAT}	– +3 Volt Battery Input
V _{CCIF}	– Interface Logic Power Supply Input
GND	– Ground
X1, X2	– 32,768 Hz Crystal Connection
INT0	– Interrupt 0 Output
INT1	– Interrupt 1 Output
SDI	– Serial Data In
SDO	– Serial Data Out
CE	– Chip Enable
SCLK	– Serial Clock
SERMODE	– Serial Interface Mode
PF	– Power Fail Output

An interface logic power supply input pin (V_{CCIF}) allows the DS1305 to drive SDO and \overline{PF} pins to a level that is compatible with the interface logic. This allows an easy interface to 3 volt logic in mixed supply systems.

The DS1305 offers dual power supplies as well as a battery input pin. The dual power supplies support a programmable trickle charge circuit which allows a rechargeable energy source (such as a super cap or rechargeable battery) to be used for a backup supply. The V_{BAT} pin allows the device to be backed up by a non-rechargeable battery. The DS1305 is fully operational from 2.5 to 5.5 volts.

Two programmable time of day alarms are provided by the DS1305. Each alarm can generate an interrupt on a programmable combination of seconds, minutes, hours, and day. "Don't care" states can be inserted into

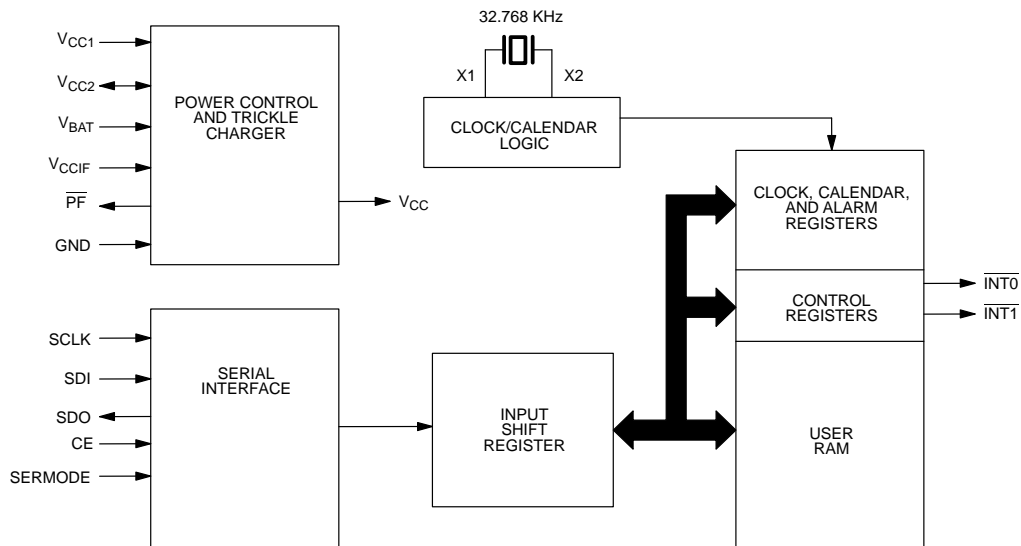
one or more fields if it is desired for them to be ignored for the alarm condition. The time of day alarms can be programmed to assert two different interrupt outputs or to assert one common interrupt output. Both interrupt outputs operate when the device is powered by V_{CC1} , V_{CC2} , or V_{BAT} .

The DS1305 supports a direct interface to Motorola SPI serial data ports or standard 3-wire interface. A straight forward address and data format is implemented in which data transfers can occur one byte at a time or in multiple byte burst mode.

OPERATION

The block diagram in Figure 1 shows the main elements of the Serial Alarm RTC. The following paragraphs describe the function of each pin.

DS1305 BLOCK DIAGRAM Figure 1



SIGNAL DESCRIPTIONS

V_{CC1} – DC power is provided to the device on this pin. V_{CC1} is the primary power supply.

V_{CC2} – This is the secondary power supply pin. In systems using the trickle charger, the rechargeable energy source is connected to this pin.

V_{BAT} – Battery input for any standard 3 volt lithium cell or other energy source.

V_{CCIF} (Interface Logic Power Supply Input) – The V_{CCIF} pin allows the DS1305 to drive SDO and \overline{PF} output pins to a level that is compatible with the interface logic, thus allowing an easy interface to 3 volt logic in mixed supply systems. This pin is physically connected to the source connection of the p-channel transistors in the output buffers of the SDO and \overline{PF} pins.

SERMODE (Serial Interface Mode Input) – The SERMODE pin offers the flexibility to choose between two serial interface modes. When connected to GND, standard 3-wire communication is selected. When connected to V_{CC}, Motorola SPI communication is selected.

SCLK (Serial Clock Input) – SCLK is used to synchronize data movement on the serial interface for either the SPI or 3-wire interface.

SDI (Serial Data Input) – When SPI communication is selected, the SDI pin is the serial data input for the SPI bus. When 3-wire communication is selected, this pin must be tied to the SDO pin (the SDI and SDO pins function as a single I/O pin when tied together).

SDO (Serial Data Output) – When SPI communication is selected, the SDO pin is the serial data output for the SPI bus. When 3-wire communication is selected, this pin must be tied to the SDI pin (the SDI and SDO pins function as a single I/O pin when tied together).

CE (Chip Enable) – The Chip Enable signal must be asserted high during a read or a write for both 3-wire and SPI communication. This pin has an internal 55K pull-down resistor (typical).

$\overline{INT0}$ (Interrupt 0 Output) – The $\overline{INT0}$ pin is an active low output of the DS1305 that can be used as an inter-

rupt input to a processor. The $\overline{INT0}$ pin can be programmed to be asserted by only Alarm 0 or can be programmed to be asserted by either Alarm 0 or Alarm 1. The $\overline{INT0}$ pin remains low as long as the status bit causing the interrupt is present and the corresponding interrupt enable bit is set. The $\overline{INT0}$ pin operates when the DS1305 is powered by V_{CC1}, V_{CC2}, or V_{BAT}. The $\overline{INT0}$ pin is an open drain output and requires an external pull-up resistor.

$\overline{INT1}$ (Interrupt 1 Output) – The $\overline{INT1}$ pin is an active low output of the DS1305 that can be used as an interrupt input to a processor. The $\overline{INT1}$ pin can be programmed to be asserted by Alarm 1 only. The $\overline{INT1}$ pin remains low as long as the status bit causing the interrupt is present and the corresponding interrupt enable bit is set. The $\overline{INT1}$ pin operates when the DS1305 is powered by V_{CC1}, V_{CC2}, or V_{BAT}. The $\overline{INT1}$ pin is an open drain output and requires an external pull-up resistor.

Both $\overline{INT0}$ and $\overline{INT1}$ are open drain outputs. The two interrupts and the internal clock continue to run regardless of the level of V_{CC} (as long as a power source is present). However, it is important to insure pull-up resistors used with the interrupt pins are never pulled up to a value which is greater than V_{CCX} + 0.3V. It is also required to insure that during backup operation mode, the voltage present at $\overline{INT0}$ and $\overline{INT1}$ does never exceed the voltage of the backup source. At all times the current on each interrupt should not exceed 4.0 mA at V_{CC} = 5V, or 1.5 mA at V_{CC} = 2.5V.

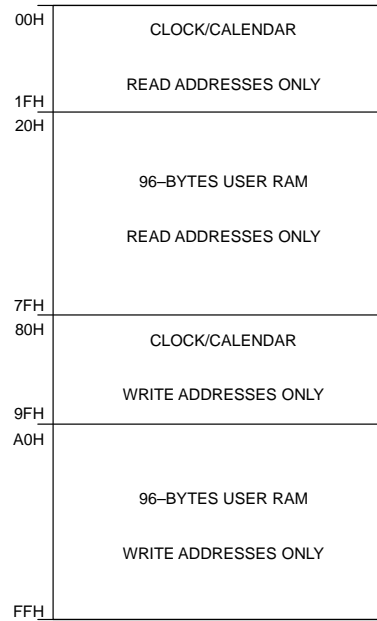
\overline{PF} (Power Fail Output) – The \overline{PF} pin is used to indicate loss of the primary power supply (V_{CC1}). When V_{CC1} is less than V_{CC2} or is less than V_{BAT}, the \overline{PF} pin will be driven low.

X1, X2 – Connections for a standard 32.768 KHz quartz crystal. The internal oscillator is designed for operation with a crystal having a specified load capacitance of 6 pF. For more information on crystal selection and crystal layout considerations, please consult Application Note 58, "Crystal Considerations with Dallas Real Time Clocks". The DS1305 can also be driven by an external 32.768 KHz oscillator. In this configuration, the X1 pin is connected to the external oscillator signal and the X2 pin is floated.

RTC AND RAM ADDRESS MAP

The address map for the RTC and RAM registers of the DS1305 is shown in Figure 2. Data is written to the RTC by writing to address locations 80h to 9Fh and is written

to the RAM by writing to address locations A0h to FFh. RTC data is read by reading address locations 00h to 1Fh and RAM data is read by reading address locations 20h to 7Fh.

ADDRESS MAP Figure 2

CLOCK, CALENDAR, AND ALARM

The time and calendar information is obtained by reading the appropriate register bytes. The real time clock registers are illustrated in Figure 3. The time, calendar, and alarm are set or initialized by writing the appropriate register bytes. Note that some bits are set to zero.

These bits will always read 0 regardless of how they are written. Also note that registers 12h to 1Fh (read) and registers 92h to 9Fh are reserved. These registers will always read 0 regardless of how they are written. The contents of the time, calendar, and alarm registers are in the Binary-Coded Decimal (BCD) format.

RTC REGISTERS Figure 3

HEX ADDRESS		BIT7 BIT 0				RANGE *	
READ	WRITE						
00H	80H	0	10 SEC		SEC	00 – 59	
01H	81H	0	10 MIN		MIN	00 – 59	
02H	82H	0	12 24	10 A/P	10 HR	HOURS 01 – 12 + A/P 00 – 23	
03H	83H	0	0	0	0	DAY 01 – 07	
04H	84H	0	0	10 DATE		DATE 01 – 31	
05H	85H	0	0	10 MONTH		MONTH 01 – 12	
06H	86H	10 YEAR			YEAR	00 – 99	
ALARM 0	07H	87H	M	10 SEC ALARM		SEC ALARM 00 – 59	
	08H	88H	M	10 MIN ALARM		MIN ALARM 00 – 59	
	09H	89H	M	12 24	10 A/P	10 HR	HOUR ALARM 01 – 12 + A/P 00 – 23
	0AH	8AH	M	0	0	0	DAY ALARM 00 – 07
ALARM 1	0BH	8BH	M	10 SEC ALARM		SEC ALARM 00 – 59	
	0CH	8CH	M	10 MIN ALARM		MIN ALARM 00 – 59	
	0DH	8DH	M	12 24	10 A/P	10 HR	HOUR ALARM 01 – 12 + A/P 00 – 23
	0EH	8EH	M	0	0	0	DAY ALRM 01 – 07
0FH	8FH	CONTROL REGISTER					
10H	90H	STATUS REGISTER					
11H	91H	TRICKLE CHARGER REGISTER					
12H–1FH	92H–9FH	RESERVED					

* RANGE FOR ALARM REGISTERS DOES NOT INCLUDE MASK 'M' BIT

The DS1305 can be run in either 12-hour or 24-hour mode. Bit 6 of the hours register is defined as the 12- or 24-hour mode select bit. When high, the 12-hour mode is selected. In the 12-hour mode, bit 5 is the AM/PM bit with logic high being PM. In the 24-hour mode, bit 5 is the second 10-hour bit (20–23 hours).

The DS1305 contains two time of day alarms. Time of Day Alarm 0 can be set by writing to registers 87h to 8Ah. Time of Day Alarm 1 can be set by writing to registers 8Bh to 8Eh. The alarms can be programmed (by the INTCN bit of the Control Register) to operate in two different modes – each alarm can drive its own separate interrupt output or both alarms can drive a common

interrupt output. Bit 7 of each of the time of day alarm registers are mask bits (Table 1). When all of the mask bits are logic “0”, a time of day alarm will only occur once per week when the values stored in timekeeping registers 00h to 03h match the values stored in the time of day alarm registers. An alarm will be generated every day when bit 7 of the day alarm register is set to a logic “1”. An alarm will be generated every hour when bit 7 of the day and hour alarm registers is set to a logic “1”. Similarly, an alarm will be generated every minute when bit 7 of the day, hour, and minute alarm registers is set to a logic “1”. When bit 7 of the day, hour, minute, and seconds alarm registers is set to a logic “1”, alarm will occur every second.

TIME OF DAY ALARM MASK BITS Table 1

ALARM REGISTER MASK BITS (BIT 7)				
SECONDS	MINUTES	HOURS	DAYS	
1	1	1	1	Alarm once per second
0	1	1	1	Alarm when seconds match
0	0	1	1	Alarm when minutes and seconds match
0	0	0	1	Alarm when hours, minutes, and seconds match
0	0	0	0	Alarm when day, hours, minutes, and seconds match

SPECIAL PURPOSE REGISTERS

The DS1305 has three additional registers (Control Register, Status Register, and Trickle Charger Register) that control the real time clock, interrupts, and trickle charger.

CONTROL REGISTER (READ 0FH, WRITE 8FH)

BIT7	BIT6	BIT5	BIT4	BIT3	BIT2	BIT1	BIT0
EOSC	WP	0	0	0	INTCN	AIE1	AIE0

EOSC (Enable oscillator) – This bit when set to logic “0” will start the oscillator. When this bit is set to a logic “1”, the oscillator is stopped and the DS1305 is placed into a low-power standby mode with a current drain of less than 100 nanoamps when power is supplied by V_{BAT} or V_{CC2} .

WP (Write Protect) – Before any write operation to the clock or RAM, this bit must be logic “0”. When high, the write protect bit prevents a write operation to any other

register and the WP bit is the only bit in the control register that can be written.

INTCN (Interrupt Control) – This bit controls the relationship between the two time of day alarms and the interrupt output pins. When the INTCN bit is set to a logic “1”, a match between the timekeeping registers and the Alarm 0 registers will activate the $\overline{INT0}$ pin (provided that the alarm is enabled) and a match between the timekeeping registers and the Alarm 1 registers will activate the $\overline{INT1}$ pin (provided that the alarm is enabled). When the INTCN bit is set to a logic “0”, a match between the timekeeping registers and either Alarm 0 or Alarm 1 will activate the $\overline{INT0}$ pin (provided that the alarms are enabled). $\overline{INT1}$ has no function when INTCN is set to a logic “0”.

AIE0 (Alarm Interrupt Enable 0) – When set to a logic “1”, this bit permits the Interrupt 0 Request Flag (IRQF0) bit in the status register to assert $\overline{INT0}$. When the AIE0 bit is set to logic “0”, the IRQF0 bit does not initiate the $\overline{INT0}$ signal.

AIE1 (Alarm Interrupt Enable 1) – When set to a logic “1”, this bit permits the Interrupt 1 Request Flag (IRQF1) bit in the status register to assert $\overline{INT1}$ (when INTCN=1) or to assert $\overline{INT0}$ (when INTCN=0). When the AIE1 bit is set to logic “0”, the IRQF1 bit does not initiate an interrupt signal.

STATUS REGISTER (READ 10H)

BIT7	BIT6	BIT5	BIT4	BIT3	BIT2	BIT1	BIT0
0	0	0	0	0	0	IRQF1	IRQF0

IRQF0 (Interrupt 0 Request Flag) – A logic “1” in the Interrupt Request Flag bit indicates that the current time has matched the Alarm 0 registers. If the AIE0 bit is also a logic “1”, the $\overline{INT0}$ pin will go low. IRQF0 is cleared when any of the Alarm 0 registers are read or written.

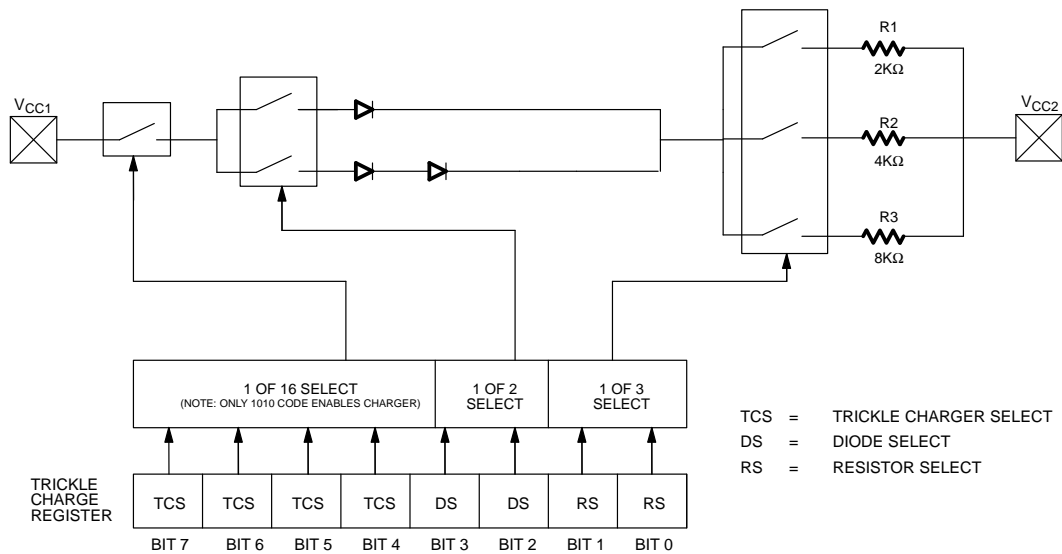
IRQF1 (Interrupt 1 Request Flag) – A logic “1” in the Interrupt Request Flag bit indicates that the current time has matched the Alarm 1 registers. This flag can be used to generate an interrupt on either $\overline{INT0}$ or $\overline{INT1}$ depending on the status of the INTCN bit in the Control Register. If the INTCN bit is set to a logic “1” and IRQF1 is at a logic “1” (and AIE1 bit is also a logic “1”), the $\overline{INT1}$

pin will go low. If the INTCN bit is set to a logic “0” and IRQF1 is at a logic “1” (and AIE0 bit is also a logic “1”), the $\overline{INT0}$ pin will go low. IRQF1 is cleared when any of the Alarm 1 registers are read or written.

TRICKLE CHARGE REGISTER (READ 11H, WRITE 91H)

This register controls the trickle charge characteristics of the DS1305. The simplified schematic of Figure 4 shows the basic components of the trickle charger. The trickle charge select (TCS) bits (bits 4–7) control the selection of the trickle charger. In order to prevent accidental enabling, only a pattern of 1010 will enable the trickle charger. All other patterns will disable the trickle charger. The DS1305 powers up with the trickle charger disabled. The diode select (DS) bits (bits 2–3) select whether one diode or two diodes are connected between V_{CC1} and V_{CC2} . If DS is 01, one diode is selected. If DS is 10, two diodes are selected. If DS is 00 or 11, the trickle charger is disabled independent of TCS. The RS bits select the resistor that is connected between V_{CC1} and V_{CC2} . The resistor is selected by the resistor select (RS) bits as shown in Table 2.

PROGRAMMABLE TRICKLE CHARGER Figure 4



TRICKLE CHARGER RESISTOR SELECT

Table 2

RS BITS	RESISTOR	TYPICAL VALUE
00	None	None
01	R1	2K Ω
10	R2	4K Ω
11	R3	8K Ω

If RS is 00, the trickle charger is disabled independent of TCS.

Diode and resistor selection is determined by the user according to the maximum current desired for battery or super cap charging. The maximum charging current can be calculated as illustrated in the following example. Assume that a system power supply of 5 volts is applied to V_{CC1} and a super cap is connected to V_{CC2} . Also assume that the trickle charger has been enabled with 1 diode and resistor R1 between V_{CC1} and V_{CC2} . The maximum current I_{MAX} would therefore be calculated as follows:

$$\begin{aligned} I_{MAX} &= (5.0V - \text{diode drop})/R1 \\ &\sim (5.0V - 0.7V)/2K\Omega \\ &\sim 2.2mA \end{aligned}$$

Obviously, as the super cap charges, the voltage drop between V_{CC1} and V_{CC2} will decrease and therefore the charge current will decrease.

POWER CONTROL

Power is provided through the V_{CC1} , V_{CC2} , and V_{BAT} pins. Three different power supply configurations are illustrated in Figure 5. Configuration 1 shows the DS1305 being backed up by a non-rechargeable energy source such as a lithium battery. In this configuration, the system power supply is connected to V_{CC1} and V_{CC2} is grounded. The DS1305 will be write protected if V_{CC1} is less than V_{BAT} .

Configuration 2 illustrates the DS1305 being backed up by a rechargeable energy source. In this case, the V_{BAT} pin is grounded, V_{CC1} is connected to the primary power supply, and V_{CC2} is connected to the secondary supply (the rechargeable energy source). The DS1305 will operate from the larger of V_{CC1} or V_{CC2} . When V_{CC1} is greater than $V_{CC2} + 0.2V$ (typical), V_{CC1} will power the DS1305. When V_{CC1} is less than V_{CC2} , V_{CC2} will power

the DS1305. The DS1305 does not write protect itself in this configuration.

Configuration 3 shows the DS1305 in battery operate mode where the device is powered only by a single battery. In this case, the V_{CC1} and V_{BAT} pins are grounded and the battery is connected to the V_{CC2} pin.

SERIAL INTERFACE

The DS1305 offers the flexibility to choose between two serial interface modes. The DS1305 can communicate with the SPI interface or with a standard 3-wire interface. The interface method used is determined by the SERMODE pin. When this pin is connected to V_{CC} , SPI communication is selected. When this pin is connected to ground, standard 3-wire communication is selected.

SERIAL PERIPHERAL INTERFACE (SPI)

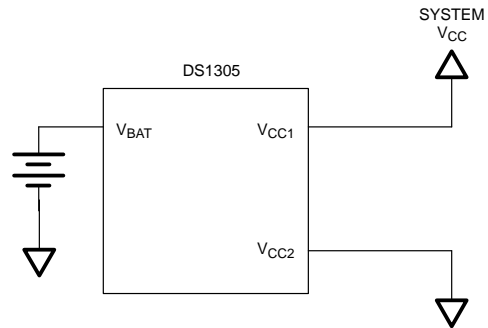
The serial peripheral interface (SPI) is a synchronous bus for address and data transfer and is used when interfacing with the SPI bus on specific Motorola microcontrollers such as the 68HC05C4 and the 68HC11A8. The SPI mode of serial communication is selected by tying the SERMODE pin to V_{CC} . Four pins are used for the SPI. The four pins are the SDO (Serial Data Out), SDI (Serial Data In), CE (Chip Enable), and SCLK (Serial Clock). The DS1305 is the slave device in an SPI application, with the microcontroller being the master.

The SDI and SDO pins are the serial data input and output pins for the DS1305, respectively. The CE input is used to initiate and terminate a data transfer. The SCLK pin is used to synchronize data movement between the master (microcontroller) and the slave (DS1305) devices.

The shift clock (SCLK), which is generated by the microcontroller, is active only during address and data transfer to any device on the SPI bus. The inactive clock polarity is programmable in some microcontrollers. The DS1305 offers an important feature in that the level of the inactive clock is determined by sampling SCLK when CE becomes active. Therefore either SCLK polarity can be accommodated. Input data (SDI) is latched on the internal strobe edge and output data (SDO) is shifted out on the shift edge (see Table 3 and Figure 6). There is one clock for each bit transferred. Address and data bits are transferred in groups of eight.

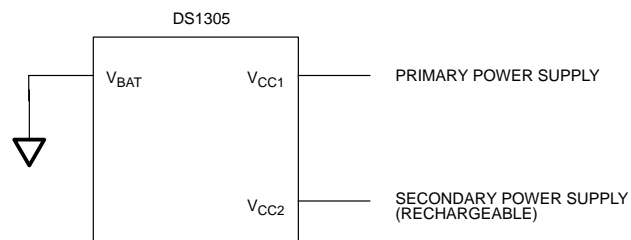
POWER SUPPLY CONFIGURATIONS FOR THE DS1305 Figure 5

Configuration 1: Backup Supply is a Non-Rechargeable Lithium Battery



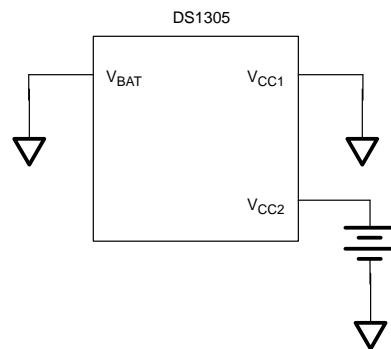
Note: Device is write protected if $V_{CC} < V_{BAT}$.

Configuration 2: Backup Supply is a Rechargeable Battery or Super Capacitor


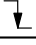




Note: Device does not provide automatic write protection.

Configuration 3: Battery Operate Mode



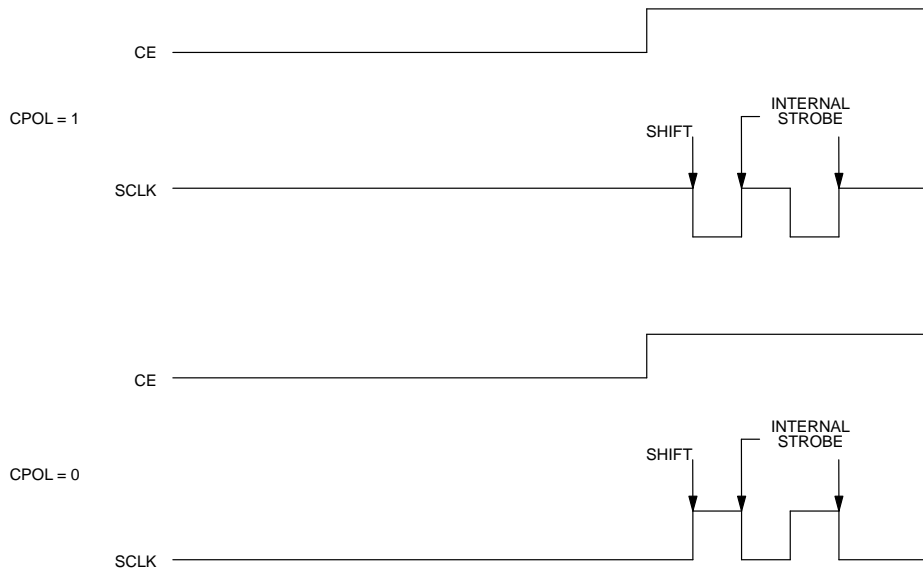
FUNCTION TABLE Table 3

MODE	CE	SCLK	SDI	SDO
Disable Reset	L	Input Disabled	Input Disabled	High Z
Write	H	CPOL=1*  CPOL=0 	Data Bit Latch	High Z
Read	H	CPOL=1  CPOL=0 	X	Next data bit shift**

* CPOL is the "Clock Polarity" bit that is set in the control register of the microcontroller.

** SDO remains at High Z until eight bits of data are ready to be shifted out during a read.

SERIAL CLOCK AS A FUNCTION OF MICROCONTROLLER CLOCK POLARITY (CPOL) Figure 6

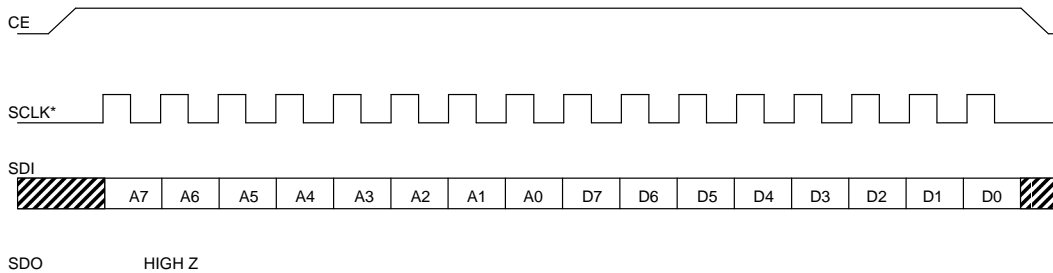
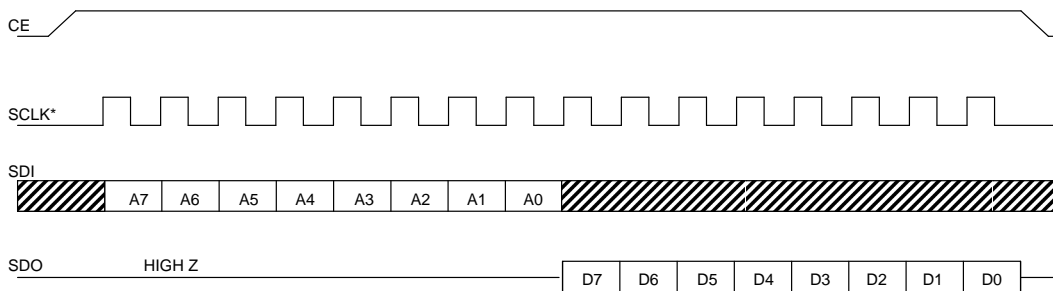


NOTE: CPOL is a bit that is set in the microcontroller's Control Register.

ADDRESS AND DATA BYTES

Address and data bytes are shifted MSB first into the serial data input (SDI) and out of the serial data output (SDO). Any transfer requires the address of the byte to

specify a write or read to either a RTC or RAM location, followed by one or more bytes of data. Data is transferred out of the SDO for a read operation and into the SDI for a write operation (see Figure 7 and 8).

SPI SINGLE BYTE WRITE Figure 7**SPI SINGLE BYTE READ** Figure 8

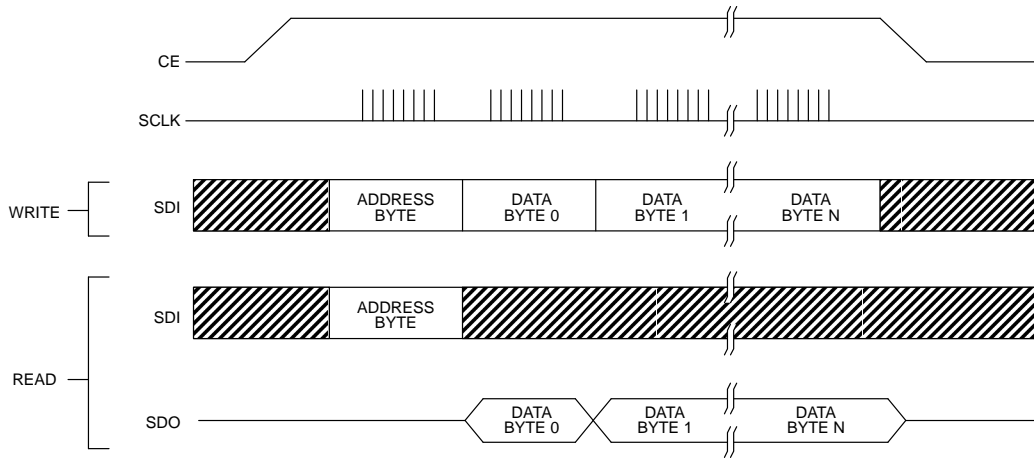
* SCLK can be either polarity.

The address byte is always the first byte entered after CE is driven high. The most significant bit (A7) of this byte determines if a read or write will take place. If A7 is 0, one or more read cycles will occur. If A7 is 1, one or more write cycles will occur.

Data transfers can occur one byte at a time or in multiple byte burst mode. After CE is driven high an address is written to the DS1305. After the address, one or more data bytes can be written or read. For a single byte transfer one byte is read or written and then CE is driven

low. For a multiple byte transfer, however, multiple bytes can be read or written to the DS1305 after the address has been written. Each read or write cycle causes the RTC register or RAM address to automatically increment. Incrementing continues until the device is disabled. When the RTC is selected, the address wraps to 00h after incrementing to 1Fh (during a read) and wraps to 80h after incrementing to 9Fh (during a write). When the RAM is selected, the address wraps to 20h after incrementing to 7Fh (during a read) and wraps to A0h after incrementing to FFh (during a write).

SPI MULTIPLE BYTE BURST TRANSFER Figure 9

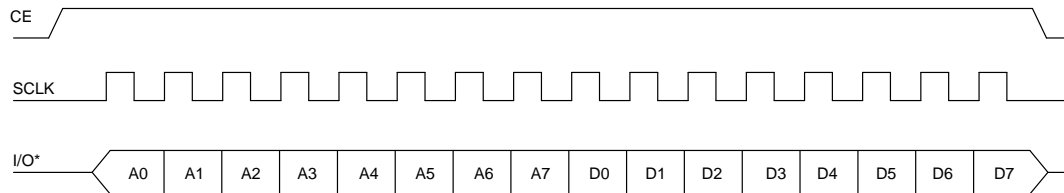


3-WIRE INTERFACE

The 3-wire interface mode operates similar to the SPI mode. However, in 3-wire mode there is one I/O instead of separate data in and data out signals. The 3-wire interface consists of the I/O (SDI and SDO pins tied together), CE, and SCLK pins. In 3-wire mode, each byte is shifted in LSB first unlike SPI mode where each byte is shifted in MSB first.

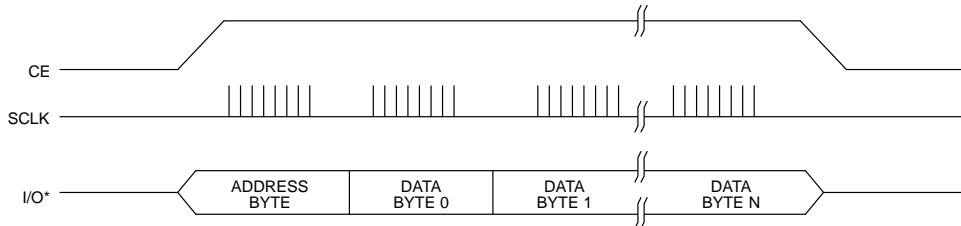
As is the case with the SPI mode, an address byte is written to the device followed by a single data byte or multiple data bytes. Figure 10 illustrates a read and write cycle. Figure 11 illustrates a multiple byte burst transfer. In 3-wire mode, data is input on the rising edge of SCLK and output on the falling edge of SCLK.

3-WIRE SINGLE BYTE TRANSFER Figure 10



* I/O is SDI and SDO tied together

3-WIRE MULTIPLE BYTE BURST TRANSFER Figure 11



* I/O is SDI and SDO tied together

ABSOLUTE MAXIMUM RATINGS*

Voltage on Any Pin Relative to Ground	-0.5V to +7.0V
Operating Temperature	0°C to 70°C
Storage Temperature	-55°C to +125°C
Soldering Temperature	260°C for 10 seconds

* This is a stress rating only and functional operation of the device at these or any other conditions above those indicated in the operation sections of this specification is not implied. Exposure to absolute maximum rating conditions for extended periods of time may affect reliability.

The Dallas Semiconductor DS1305 is built to the highest quality standards and manufactured for long term reliability. All Dallas Semiconductor devices are made using the same quality materials and manufacturing methods. However, standard versions of the DS1305 are not exposed to environmental stresses, such as burn-in, that some industrial applications require. Products which have successfully passed through this series of environmental stresses are marked IND or N, denoting their extended operating temperature and reliability rating. For specific reliability information on this product, please contact the factory in Dallas at (972) 371-4448.

RECOMMENDED DC OPERATING CONDITIONS

(0°C to 70°C*)

PARAMETER	SYMBOL	MIN	TYP	MAX	UNITS	NOTES
Supply Voltage V_{CC1} , V_{CC2}	V_{CC1} , V_{CC2}	2.5		5.5	V	1, 9
Logic 1 Input	V_{IH}	2.0		$V_{CC}+0.3$	V	1
Logic 0 Input	V_{IL}	$V_{CC}=2.5V$	-0.3	+0.3	V	1
		$V_{CC}=5V$	-0.3	+0.8		
V_{BAT} Battery Voltage	V_{BAT}	2.5		5.5	V	1
V_{CCIF} Supply Voltage	V_{CCIF}	2.5		5.5	V	14

DC ELECTRICAL CHARACTERISTICS(0°C to +70°C*; $V_{CC} = 2.5$ to 5.5V**)

PARAMETER	SYMBOL	MIN	TYP	MAX	UNITS	NOTES
Input Leakage	I_{LI}			+500	μA	
Output Leakage	I_{LO}			1	μA	
Logic 0 Output	V_{OL}	$V_{CC}=2.5V$		0.4	V	2
		$V_{CC}=5V$		0.4		
Logic 1 Output	V_{OH}	$V_{CCIF}=2.5V$	1.6		V	13
		$V_{CCIF}=5V$	2.4			
V_{CC1} Active Supply Current	I_{CC1A}	$V_{CC1}=2.5V$		0.425	mA	4, 10
		$V_{CC1}=5V$		1.28		
V_{CC1} Timekeeping Current	I_{CC1T}	$V_{CC1}=2.5V$		25.3	μA	3, 10
		$V_{CC1}=5V$		81		
V_{CC1} Standby Current	I_{CC1S}	$V_{CC1}=2.5V$		25	μA	8, 10
		$V_{CC1}=5V$		80		
V_{CC2} Active Supply Current	I_{CC2A}	$V_{CC2}=2.5V$		0.4	mA	4, 11
		$V_{CC2}=5V$		1.2		
V_{CC2} Timekeeping Current	I_{CC2T}	$V_{CC2}=2.5V$		0.3	μA	3, 11
		$V_{CC2}=5V$		1		

* -40°C to +85°C for industrial device

**Unless otherwise noted.

DC ELECTRICAL CHARACTERISTICS (cont'd) (0°C to +70°C*; V_{CC} = 2.5 to 5.5V**)

PARAMETER	SYMBOL	MIN	TYP	MAX	UNITS	NOTES
V _{CC2} Standby Current	I _{CC2S}	V _{CC2} =2.5V		100	nA	8, 11
		V _{CC2} =5V		100		
Battery Timekeeping Current	I _{BATT}	V _{BAT} =3V		300	nA	12
Battery Standby Current	I _{BATS}	V _{BAT} =3V		100	nA	12
Trickle Charge Resistors	R1		2		KΩ	
	R2		4		KΩ	
	R3		8		KΩ	
Trickle Charger Diode Voltage Drop	V _{TD}		0.7		V	

CAPACITANCE (t_A = 25°C)

PARAMETER	SYMBOL	CONDITION	TYP	MAX	UNITS	NOTES
Input Capacitance	C _I		10		pF	
Output Capacitance	C _O		15		pF	
Crystal Capacitance	C _X		6		pF	

3-WIRE AC ELECTRICAL CHARACTERISTICS (0°C to 70°C*; V_{CC} = 2.5V to 5.5V**)

PARAMETER	SYMBOL	MIN	TYP	MAX	UNITS	NOTES
Data to CLK Setup	t _{DC}	V _{CC} =2.5V	200		ns	5, 6
		V _{CC} =5V	50			
CLK to Data Hold	t _{CDH}	V _{CC} =2.5V	280		ns	5, 6
		V _{CC} =5V	70			
CLK to Data Delay	t _{CDD}	V _{CC} =2.5V		800	ns	5, 6, 7
		V _{CC} =5V		200		
CLK Low Time	t _{CL}	V _{CC} =2.5V	1000		ns	6
		V _{CC} =5V	250			
CLK High Time	t _{CH}	V _{CC} =2.5V	1000		ns	6
		V _{CC} =5V	250			
CLK Frequency	t _{CLK}	V _{CC} =2.5V		0.6	MHz	6
		V _{CC} =5V	DC	2.0		
CLK Rise and Fall	t _R , t _F	V _{CC} =2.5V		2000	ns	
		V _{CC} =5V		500		

* -40°C to +85°C for industrial device

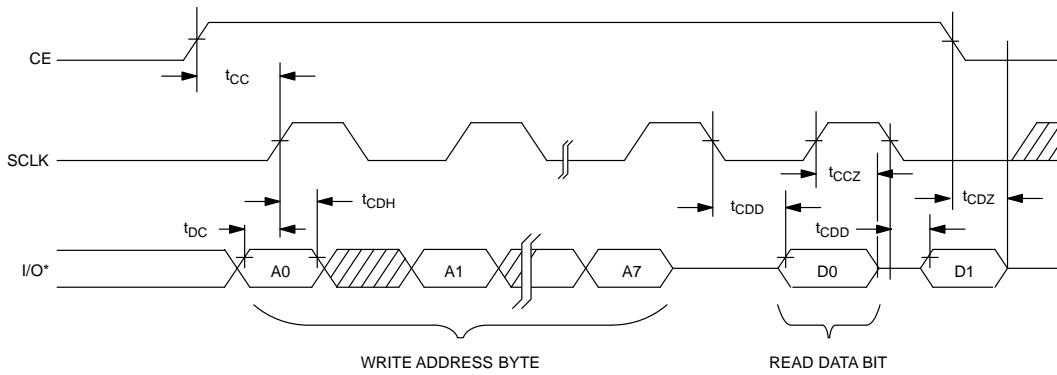
**Unless otherwise noted.

3-WIRE AC ELECTRICAL CHARACTERISTICS (cont'd) (0°C to 70°C*; V_{CC} = 2.5 to 5.5V**)

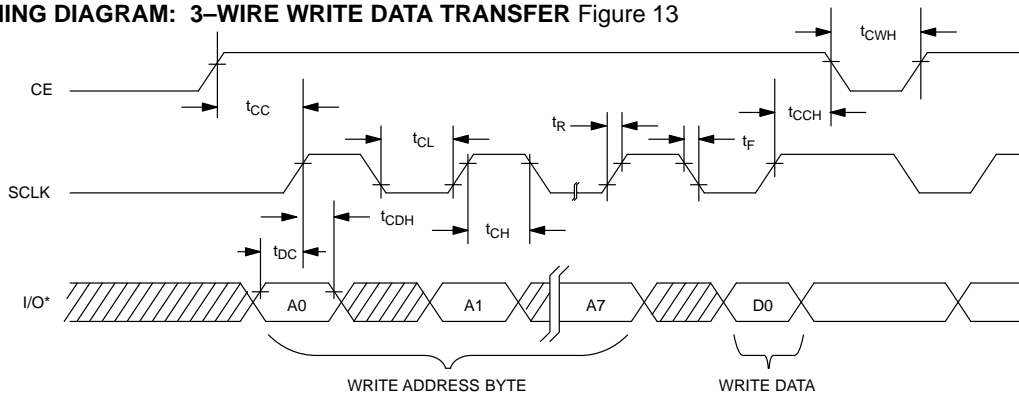
PARAMETER	SYMBOL	MIN	TYP	MAX	UNITS	NOTES
CE to CLK Setup	t _{CC}	V _{CC} =2.5V	4		μs	6
		V _{CC} =5V	1			
CLK to CE Hold	t _{CCH}	V _{CC} =2.5V	240		ns	6
		V _{CC} =5V	60			
CE Inactive Time	t _{CWH}	V _{CC} =2.5V	4		μs	6
		V _{CC} =5V	1			
CE to Output High Z	t _{CDZ}	V _{CC} =2.5V		280	ns	5, 6
		V _{CC} =5V		70		
SCLK to Output High Z	t _{CCZ}	V _{CC} =2.5V		280	ns	5, 6
		V _{CC} =5V		70		

* -40°C to +85°C for industrial device
 **Unless otherwise noted.

TIMING DIAGRAM: 3-WIRE READ DATA TRANSFER Figure 12



TIMING DIAGRAM: 3-WIRE WRITE DATA TRANSFER Figure 13



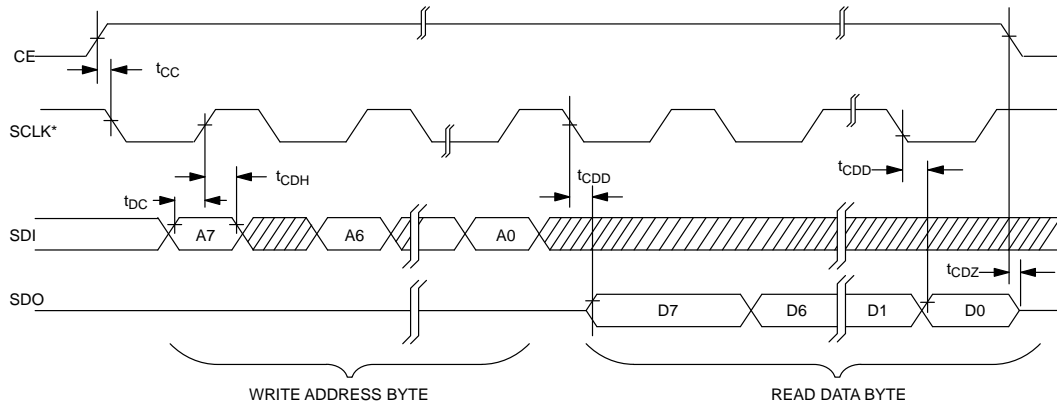
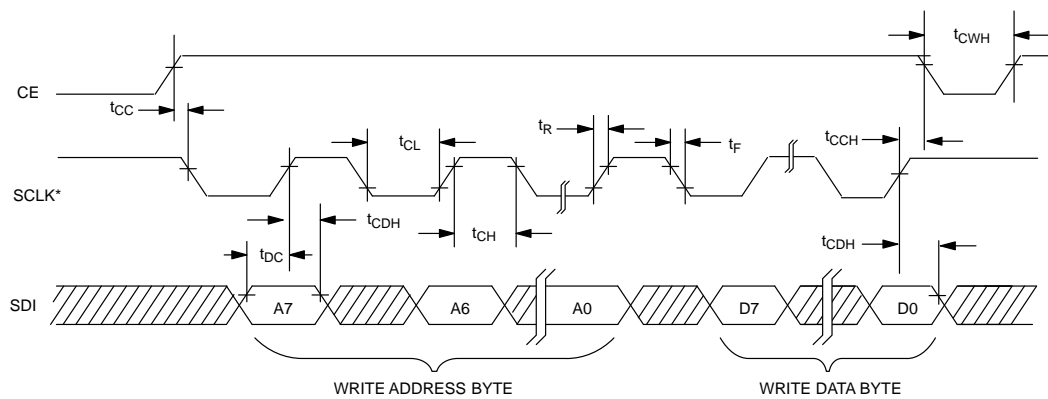
* I/O is SDI and SDO tied together.

SPI AC ELECTRICAL CHARACTERISTICS(0°C to 70°C*; V_{CC} = 2.5 to 5.5V**)

PARAMETER	SYMBOL	MIN	TYP	MAX	UNITS	NOTES
Data to CLK Setup	t _{DC}	V _{CC} =2.5V	200			ns 5, 6
		V _{CC} =5V	50			
CLK to Data Hold	t _{CDH}	V _{CC} =2.5V	280			ns 5, 6
		V _{CC} =5V	70			
CLK to Data Delay	t _{CDD}	V _{CC} =2.5V			800	ns 5, 6, 7
		V _{CC} =5V			200	
CLK Low Time	t _{CL}	V _{CC} =2.5V	1000			ns 6
		V _{CC} =5V	250			
CLK High Time	t _{CH}	V _{CC} =2.5V	1000			ns 6
		V _{CC} =5V	250			
CLK Frequency	t _{CLK}	V _{CC} =2.5V			0.6	MHz 6
		V _{CC} =5V	DC		2.0	
CLK Rise and Fall	t _R , t _F	V _{CC} =2.5V			2000	ns
		V _{CC} =5V			500	
CE to CLK Setup	t _{CC}	V _{CC} =2.5V	4			μs 6
		V _{CC} =5V	1			
CLK to CE Hold	t _{CCH}	V _{CC} =2.5V	240			ns 6
		V _{CC} =5V	60			
CE Inactive Time	t _{CWH}	V _{CC} =2.5V	4			μs 6
		V _{CC} =5V	1			
CE to Output High Z	t _{CDZ}	V _{CC} =2.5V			280	ns 5, 6
		V _{CC} =5V			70	

* -40°C to +85°C for industrial device

**Unless otherwise noted.

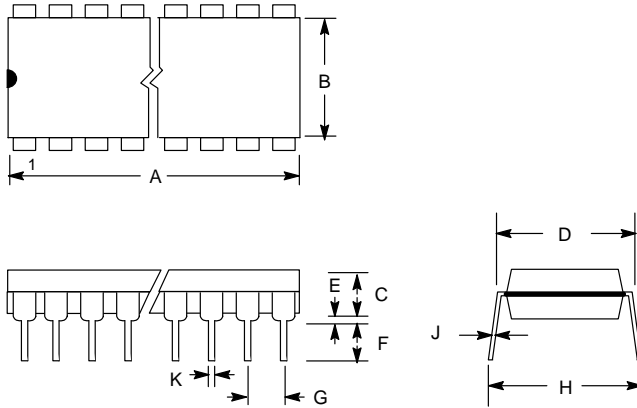
TIMING DIAGRAM: SPI READ DATA TRANSFER Figure 14**TIMING DIAGRAM: SPI WRITE DATA TRANSFER** Figure 15

* SCLK can be either polarity, timing shown for CPOL = 1.

NOTES:

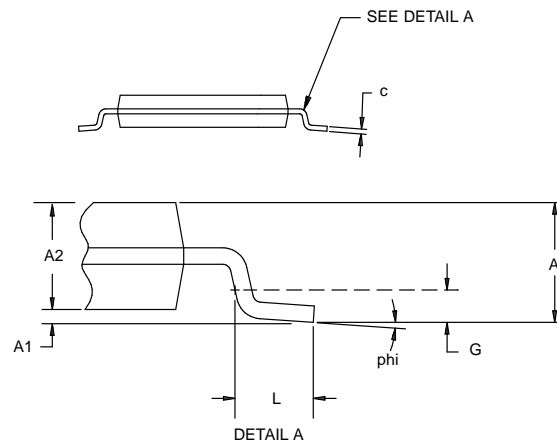
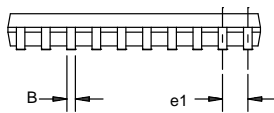
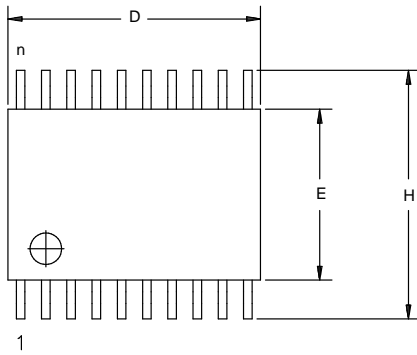
1. All voltages are referenced to ground.
2. Logic zero voltages are specified at a sink current of 4 mA at $V_{CC}=5V$ and 1.5 mA at $V_{CC}=2.5V$, $V_{OL}=GND$ for capacitive loads.
3. I_{CC1T} and I_{CC2T} are specified with CE set to a logic "0" and \overline{EOSC} bit=0 (oscillator enabled).
4. I_{CC1A} and I_{CC2A} are specified with CE= V_{CC} , SCLK=2 MHz (0- V_{CC}) at $V_{CC}=5V$; SCLK=500 KHz (0-5V) at $V_{CC}=2.5V$ and \overline{EOSC} bit=0 (oscillator enabled).
5. Measured at $V_{IH}=2.0V$ or $V_{IL}=0.8V$ and 10 ms maximum rise and fall time.
6. Measured with 50 pF load.
7. Measured at $V_{OH}=2.4V$ or $V_{OL}=0.4V$.
8. I_{CC1S} and I_{CC2S} are specified with CE set to a logic "0". The \overline{EOSC} bit must be set to logic one (oscillator disabled).
9. $V_{CC}=V_{CC1}$, when $V_{CC1}>V_{CC2}+0.2V$ (typical); $V_{CC}=V_{CC2}$, when $V_{CC2}>V_{CC1}$.
10. $V_{CC2}=0$ volts.
11. $V_{CC1}=0$ volts.
12. $(V_{CC1} = V_{CC2}) < V_{BAT}$.
13. Logic one voltages are specified at a source current of 1 mA at $V_{CC}=5V$ and 0.4 mA at 2.5V, $V_{OH}=V_{CC}$.
14. V_{CCIF} must be less than or equal to the largest of V_{CC1} , V_{CC2} , and V_{BAT} .



DS1305 16-PIN DIP (300 MIL)

PKG	16-PIN	
	DIM	MIN
A IN. MM	0.740 18.80	0.780 19.81
B IN. MM	0.240 6.10	0.260 6.60
C IN. MM	0.120 3.05	0.140 3.56
D IN. MM	0.300 7.62	0.325 8.26
E IN. MM	0.015 0.38	0.040 1.02
F IN. MM	0.120 3.05	0.140 3.56
G IN. MM	0.090 2.29	0.110 2.79
H IN. MM	0.320 8.13	0.370 9.40
J IN. MM	0.008 0.20	0.012 0.30
K IN. MM	0.015 0.38	0.021 0.53

DS1305 20-PIN TSSOP



DIM	MIN	MAX
A MM	-	1.10
A1 MM	0.05	-
A2 MM	0.75	1.05
C MM	0.09	0.18
L MM	0.50	0.70
e1 MM	0.65 BSC	
B MM	0.18	0.30
D MM	6.40	6.90
E MM	4.40 NOM	
G MM	0.25 REF	
H MM	6.25	6.55
phi	0°	8°

56-G2010-000