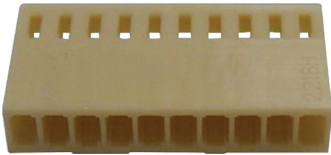


2.54mm Crimp Housing

multicompPRO

**RoHS
Compliant**



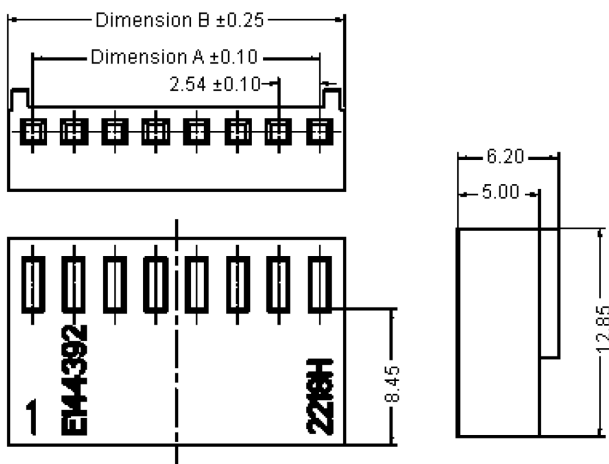
Specifications

Current Rating : 3A AC/DC
Voltage Rating : 250V AC/DC
Max. Contact Resistance : 20mΩ
Min. Insulation Resistance : 1,000MΩ
Withstanding Voltage : 1,000V AC/Minute
Operating Temperature Range : -40°C to +105°C

Material and Finish:

Insulator : Nylon 66
Insulator Colour : Beige
Contact : Brass
Plating : Tin Plated

2.54mm Crimp Housing Diagram



Part Number	Dimensions	
	A	B
2218H-02-WH2	2.54	5.6
2218H-03-WH2	5.08	8.1
2218H-04-WH2	7.62	10.7
2218H-05-WH2	10.16	13.2
2218H-06-WH2	12.70	15.8
2218H-08-WH2	17.78	20.9
2218H-10-WH2	22.86	25.9
2218H-12-WH2	27.94	31

Dimensions : Millimetres

Accessories - Crimp Pin



Specifications

Material : Contact Brass
Finish : Tin Plated
Application Wires : 22 AWG to 26 AWG

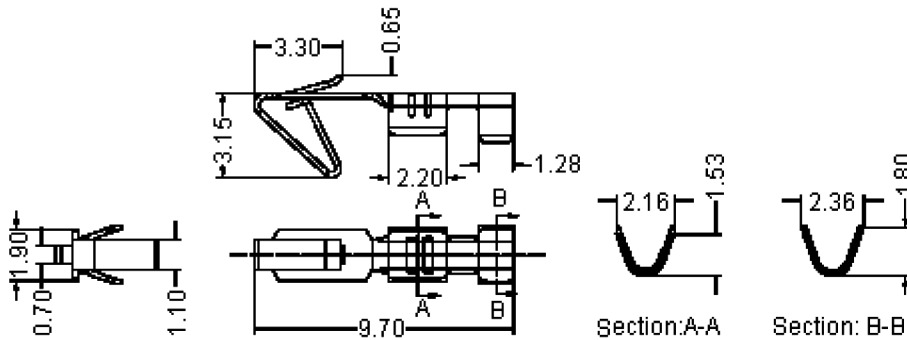
Newark.com/multicomp-pro
Farnell.com/multicomp-pro
Element14.com/multicomp-pro

multicompPRO

2.54mm Crimp Housing

multicompPRO

Diagram



Part Number Table

Description	Part Number
Crimp Housing, 2.54mm, 2way	2218H-02-WH2
Crimp Housing, 2.54mm, 3way	2218H-03-WH2
Crimp Housing, 2.54mm, 4way	2218H-04-WH2
Crimp Housing, 2.54mm, 5way	2218H-05-WH2
Crimp Housing, 2.54mm, 6way	2218H-06-WH2
Crimp Housing, 2.54mm, 8way	2218H-08-WH2
Crimp Housing, 2.54mm, 10way	2218H-10-WH2
Crimp Housing, 2.54mm, 12way	2218H-12-WH2
Contact, Crimp, Plug, 26-22AWG (Cut)	2218T

Important Notice : This data sheet and its contents (the "Information") belong to the members of the AVNET group of companies (the "Group") or are licensed to it. No licence is granted for the use of it other than for information purposes in connection with the products to which it relates. No licence of any intellectual property rights is granted. The Information is subject to change without notice and replaces all data sheets previously supplied. The Information supplied is believed to be accurate but the Group assumes no responsibility for its accuracy or completeness, any error in or omission from it or for any use made of it. Users of this data sheet should check for themselves the Information and the suitability of the products for their purpose and not make any assumptions based on information included or omitted. Liability for loss or damage resulting from any reliance on the Information or use of it (including liability resulting from negligence or where the Group was aware of the possibility of such loss or damage arising) is excluded. This will not operate to limit or restrict the Group's liability for death or personal injury resulting from its negligence. Multicomp Pro is the registered trademark of Premier Farnell Limited 2019.

Newark.com/multicomp-pro
Farnell.com/multicomp-pro
Element14.com/multicomp-pro

multicompPRO