

ME 36

hypercardioid installed sound microphone

FEATURES

- Highly directional mini shotgun microphone
- Low noise and large transponse range
- Thin and elegant for unobtrusive miking
- Interference tube rotates for optimum alignment
- Gold plated contact points for Maintenance-free long term operation
- Large range of high quality goosenecks and mounting options

The **ME 36** is a permanently polarized condenser microphone capsule for use with Sennheiser MZH goosenecks. This mini shotgun microphone features a hypercardioid / lobar directivity for an outstanding background noise rejection. In combination with the 15cm short gooseneck MZH 3015 it facilitates inconspicuous placement. The ME 36 is suitable for a very wide range of applications including: conference, public address, studio, broadcast, video and others.



ARCHITECT'S SPECIFICATIONS

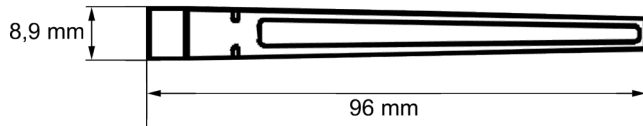
A mini shotgun microphone for speech transmission shall be unobtrusive in appearance. The microphone provides a hypercardioid/lobar directivity and shall be powered with 12 to 48V phantom powering. The microphone shall cover a frequency range of 40Hz to 20kHz, the equivalent noise level must not exceed 23 dB weighted A. For connection with Sennheiser MZH goosenecks a high quality screw thread shall be provided. The electrical contact points shall be gold plated. The housing of the microphone shall be made from metal, finished with a non reflective black coating. Various mounting options and goosenecks shall be available. The microphone shall be Sennheiser ME 36.

TECHNICAL DATA

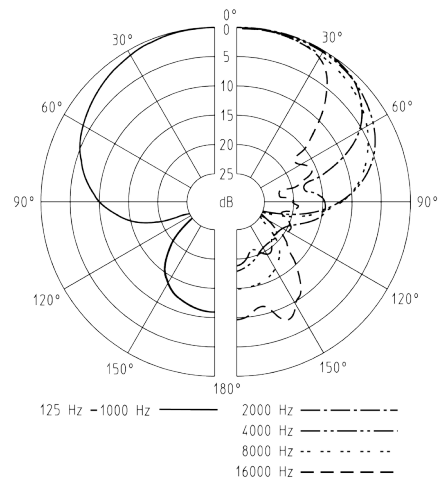
Transducer principle.....	pre-polarised condenser microphone
Acoustics	hypercardioid / lobar
Frequency response	40Hz - 20 kHz
Impedance.....	50 Ohm
Minimal terminating impedance	1 kOhm
Maximum sound pressure level	130 dB SPL
Equivalent noise level	23 dBA
Equivalent noise level weighted as per CCIR 468-3	34 dB
Phantom powering.....	P12 - P48 V
Current consumption	250 µA
Weight	17g (6 oz.)
Dimensions	∅ 8,2 x L96 mm (∅ 0.33" x 3,78")
Coating.....	matte black
Delivery includes.....	ME 36 microphone MZW 36 windshield

ME 36 hypercardioid installed sound microphone

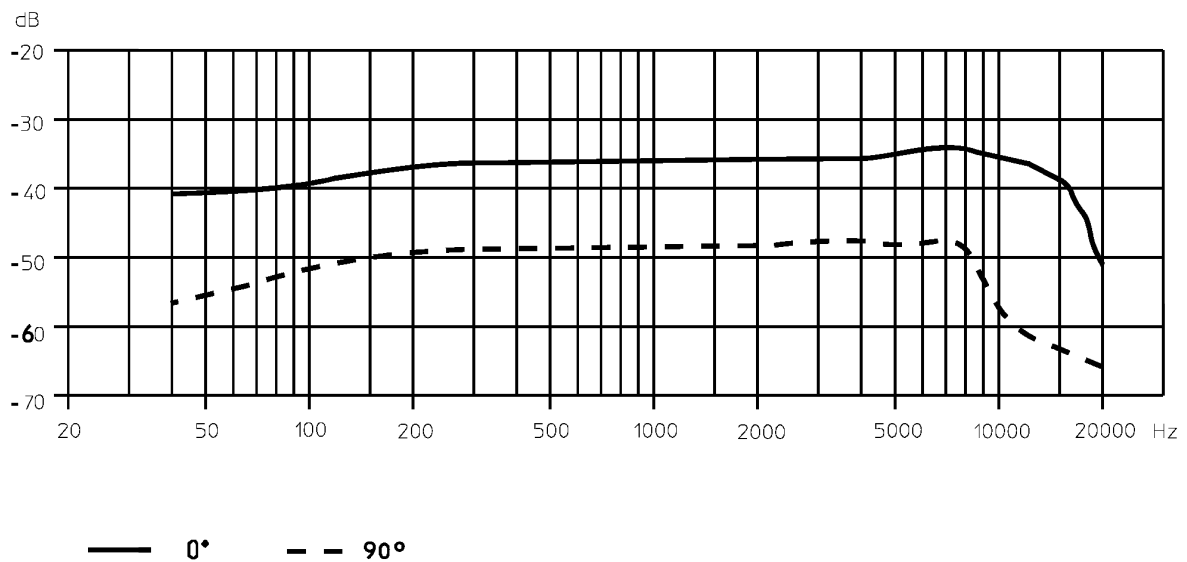
DIMENSIONS



POLAR PATTERN



FREQUENCY RESPONSE



PRODUCT VARIANTS

ME 36, black	Cat. No. 005065
ME 36 NX, Nextel grey	Cat. No. 500818
ME 36 W, white	Cat. No. 005066

RECOMMENDED ACCESSORIES

MZH gooseneck series: MZH 3015, MZH 3040, MZH 3042, MZH 3062, MZH 3072

Contact your local Service Partner:

Sennheiser electronic GmbH & Co. KG
Am Labor 1, 30900 Wedemark, Germany
www.sennheiser.com

 **SENNHEISER**