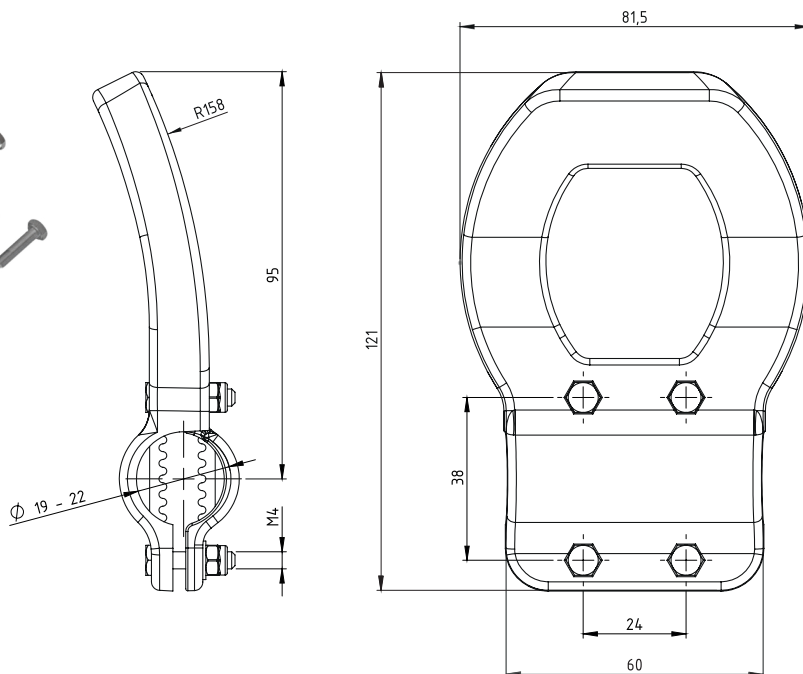
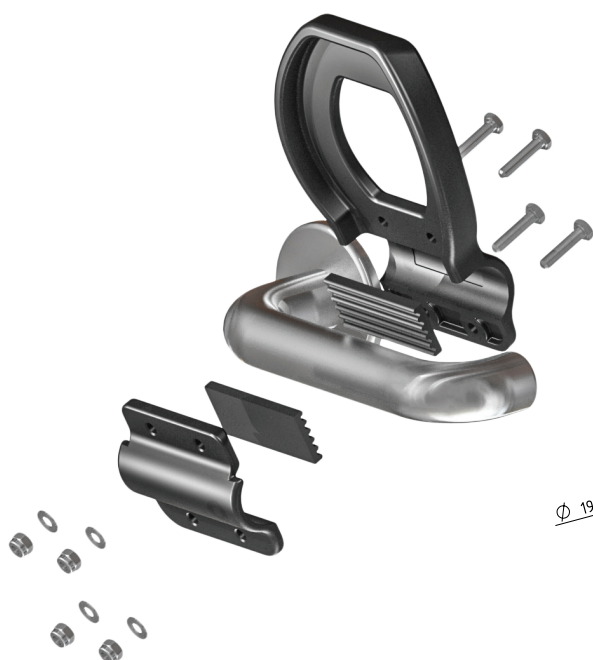
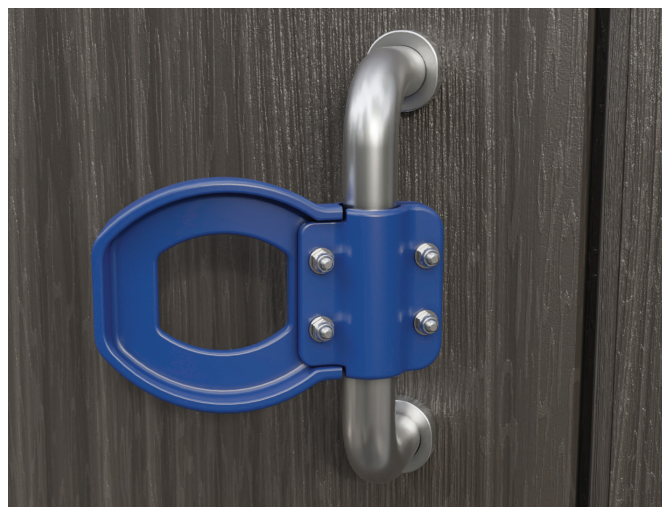


# L-bow Handle

## New Hands Free Door Opener



### Hands free door opener

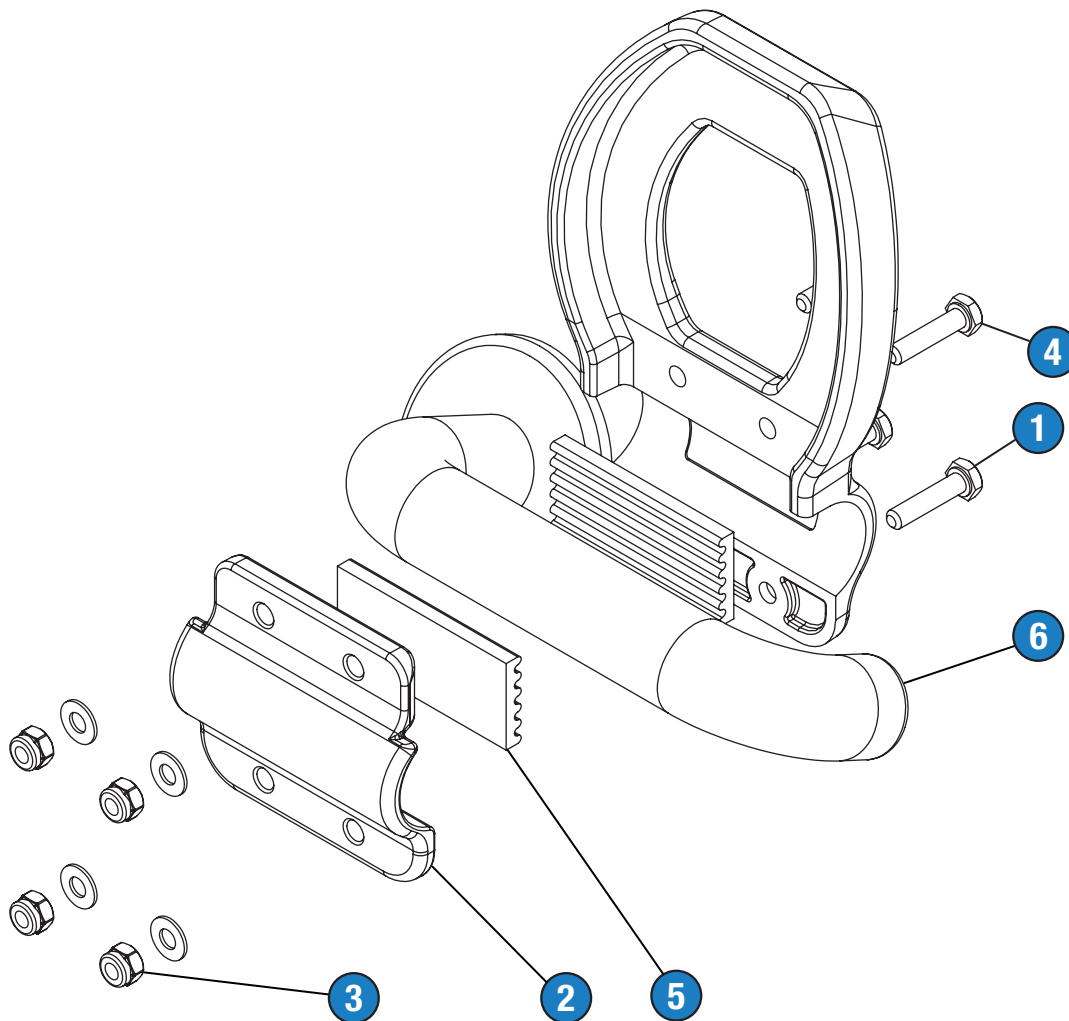
The product allows you to open the door with your forearm, reducing the risk of direct contact with viruses and bacteria on the door handle. Door opener itself has an ergonomic shape and is very easy to install. It is used for handles with diameters from 19 to 22 mm. It may prove to be a valuable ally in the fight against COVID-19.

In order to disinfect the door opener, wipe it with a cloth moistened with ethanol.

Components	Material
Door opener part 1	Plastic
Door opener part 2	Plastic
Self-locking nut M4 DIN985	Stainless steel
Washer M4 DIN125	Stainless steel
Hexagonal headed screw M4 DIN933	Stainless steel
Non-slip pad	EPDM

# L-bow Handle

## Assembly Instructions



## Assembly Instructions

(Elements necessary for the assembly: **Flat or socket wrench 7mm**)

1. Clean and degrease the handle **6**
2. On the inside surface of the parts **1** and **2** stick self-adhesive pad **5**
3. Place the door opener on the handle **1** with the front plate facing you
4. Mount the door opener **2** on the handle **6**
5. Pre-tighten the door opener with the screws **3** **4** available in the set
6. Set the position of the door opener against the door (so that the forearm can be freely inserted into the space between the handle and the door)
7. Tighten the screws until the door-opener is fixed