

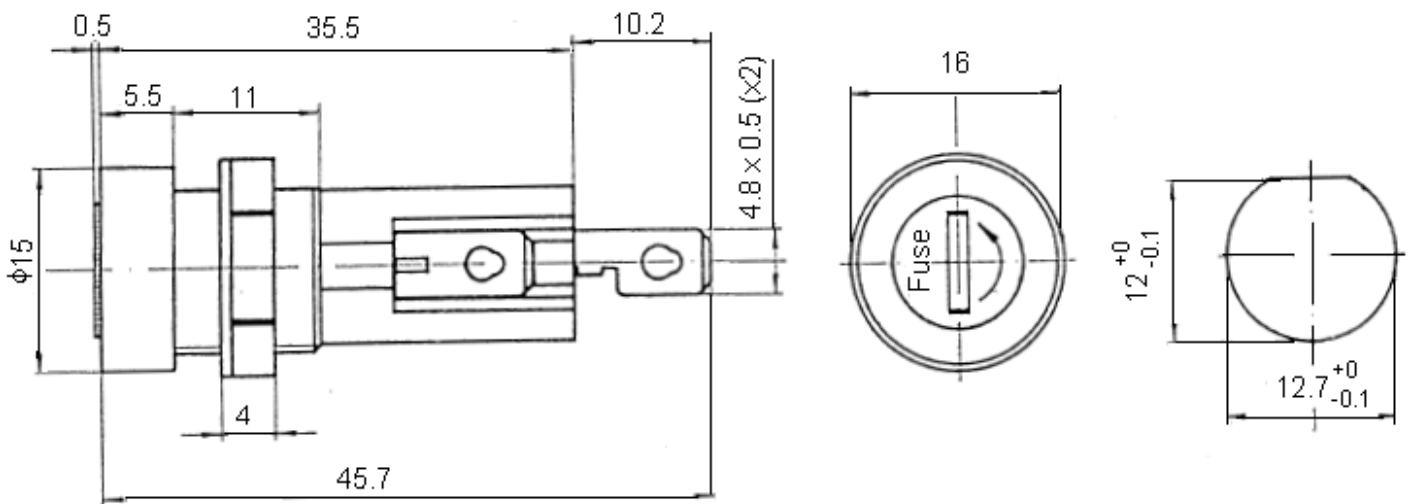
Bayonet Release Fuseholder

20 x 5mm Panel Mount



Features:

- Low profile panel mounting.
- Screw driver release bayonet carrier.
- Combined solder/4.8mm quick connect terminal.
- Anti-rotation D fixing.
- IEC 127-6.
- Industry standard.
- Competitive.



Dimensions: Millimetres

Specifications

| | |
|------------------------------|---|
| Rating | 10A/250V |
| Contacts/Resistance | Tinned nickel plated brass/<5m Ω |
| Material | PBT |
| Dielectric Strength | >3kV/60 seconds |
| Insulation Resistance | >100M Ω |
| Power Dissipation | 2.5W |
| Approvals | SEMKO, CSA and VDE |

Part Number Table

| Fuse Size | Part Number |
|-----------|-------------|
| 5 x 20mm | MCHTC-70M |



Bayonet Release Fuseholder

20 x 5mm Panel Mount



Notes:

International Sales Offices:

| | | | |
|--|---|---|--|
|  AUSTRALIA – Farnell Tel No: ++61 1300 361 005 Fax No: ++61 1300 361 225 |  FINLAND – Farnell Tel No: ++ 358 9 560 7780 Fax No: ++ 358 9 345 5411 |  ITALY – Farnell Tel No: ++ 39 02 93 995 200 Fax No: ++ 39 02 93 995 300 |  SPAIN – Farnell Tel No: 901 20 20 80 Fax No: 901 20 20 90 |
|  AUSTRIA – Farnell Tel No: ++ 43 662 2180 680 Fax No: ++ 43 662 2180 670 |  FRANCE – Farnell Tel No: ++ 33 474 68 99 99 Fax No: ++ 33 474 68 99 90 |  MALAYSIA – Farnell-Newark Tel No: ++ 60 3 7873 8000 Fax No: ++ 60 3 7873 7000 |  SWEDEN – Farnell Tel No: ++ 46 8 730 50 00 Fax No: ++ 46 8 83 52 62 |
|  BELGIUM – Farnell Tel No: ++ 32 3 475 2810 Fax No: ++ 32 3 227 3648 |  GERMANY – Farnell Tel No: ++ 49 89 61 39 39 39 Fax No: ++ 49 89 613 59 01 |  NETHERLANDS – Farnell Tel No: ++ 31 30 241 7373 Fax No: ++ 31 30 241 7333 |  SWITZERLAND – Farnell Tel No: ++ 44 204 64 64 Fax No: ++ 44 204 64 54 |
|  BRAZIL – Farnell-Newark Tel No: ++ 55 11 4066 9400 Fax No: ++ 55 11 4066 9410 |  HONG KONG – Farnell-Newark Tel No: ++ 852 2268 9888 Fax No: ++ 852 2268 9899 |  NEW ZEALAND – Farnell Tel No: 0800 90 80 80 Fax No: 0800 90 80 81 |  UK – Farnell Tel No: ++ 44 8701 200 200 Fax No: ++ 44 8701 200 201 |
|  CHINA – Farnell-Newark Tel No: ++86 10 6238 5152 Fax No: ++86 10 6238 5022 |  HUNGARY – Farnell Tel No: ++ 44 870 1200 208 Fax No: ++ 44 870 1200 209 |  NORWAY – Farnell Tel No: 800 146 70 Fax No: 800 146 76 |  UK – CPC ++ 44 8701 202 530 ++ 44 8701 202 531 |
|  CZECH REPUBLIC – Farnell Tel No: ++ 44 870 1200 208 Fax No: ++ 44 870 1200 209 |  INDIA – Farnell Tel No: ++ 44 870 1200 208 Fax No: ++ 44 870 1200 209 |  PORTUGAL – Farnell Tel No: ++ 34 93 475 8804 Fax No: ++ 34 93 474 5288 |  USA – Newark Tel No: 800 463 9275 |
|  DENMARK – Farnell Tel No: ++ 45 44 53 66 44 Fax No: ++ 45 44 53 66 06 |  IRELAND – Farnell Tel No: ++ 353 1 830 9277 Fax No: ++ 353 1 830 9016 |  RUSSIA – Farnell Tel No: ++ 44 870 1200 208 Fax No: ++ 44 870 1200 209 |  EXPORT – Farnell Tel No: ++ 44 8701 200 208 Fax No: ++ 44 8701 200 209 For enquiries from all other markets |
|  ESTONIA – Farnell Tel No: ++ 358 9 560 7780 Fax No: ++ 358 9 345 5411 |  ISRAEL – Farnell Tel No: ++ 180 937 0015 Fax No: ++ 180 937 0014 |  SINGAPORE – Farnell-Newark Tel No: ++ 65 6788 0200 Fax No: ++ 65 6788 0300 | http://www.farnell.com http://www.newark.com http://www.cpc.co.uk |

Disclaimer This data sheet and its contents (the "Information") belong to the Premier Farnell Group (the "Group") or are licensed to it. No licence is granted for the use of it other than for information purposes in connection with the products to which it relates. No licence of any intellectual property rights is granted. The Information is subject to change without notice and replaces all data sheets previously supplied. The Information supplied is believed to be accurate but the Group assumes no responsibility for its accuracy or completeness, any error in or omission from it or for any use made of it. Users of this data sheet should check for themselves the Information and the suitability of the products for their purpose and not make any assumptions based on information included or omitted. Liability for loss or damage resulting from any reliance on the Information or use of it (including liability resulting from negligence or where the Group was aware of the possibility of such loss or damage arising) is excluded. This will not operate to limit or restrict the Group's liability for death or personal injury resulting from its negligence. SPC Multicomp is the registered trademark of the Group. © Premier Farnell plc 2008.

