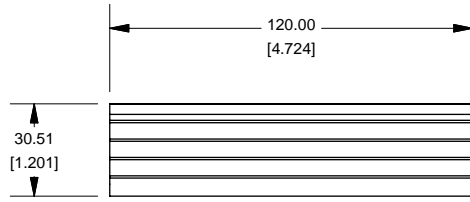
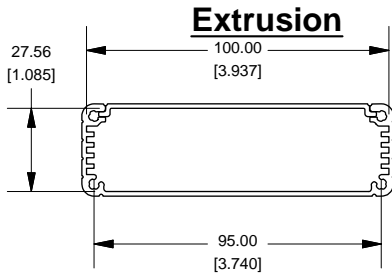


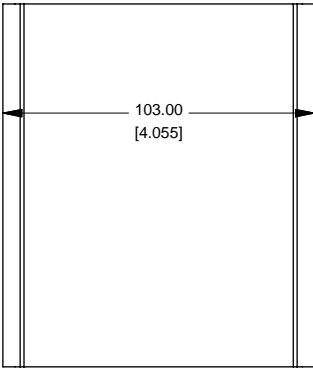
2

1

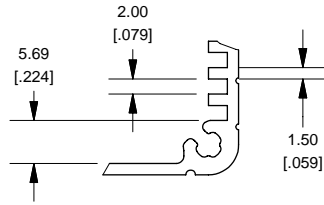
1455L1201



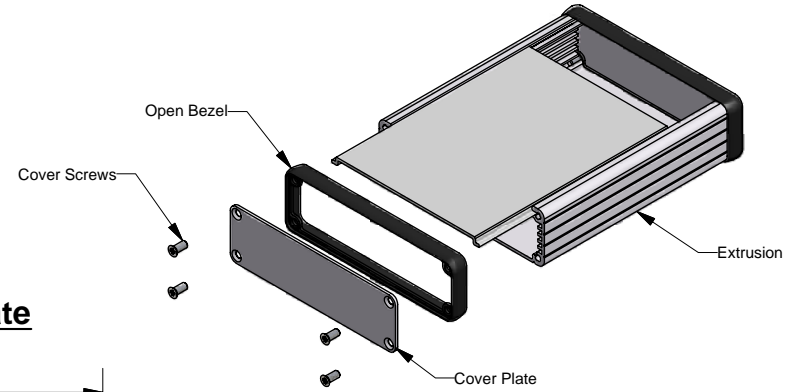
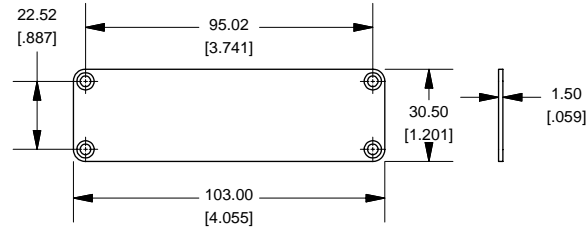
B



Slot Details

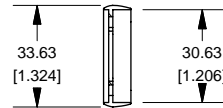
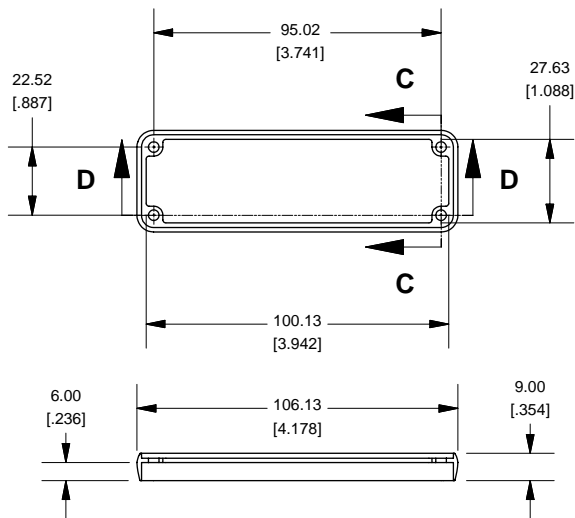


End Plate



B

Open Bezel



2

1

Note
Purchased assembly includes box, belly plate, choice of bezel, cover screws and self adhesive rubber feet. Box made from Extruded Aluminum 6063.

PART NUMBERS	
1455L1201 Open Bezel with Aluminum End Plate	
Clear Anodized	1455L1201
Black Anodized	1455L1201BK
ACCESSORIES	
Cover Screws (Pkg 100) [#6 Self Tapping Nickel Plated Screws]	1455MS100
Black Cover Screws (Pkg 100) [#6 Self Tapping Nickel Plated Screws]	1455MS100BK
Aluminum End Plates (Pkg 10)	1455LAL-10
Black Anodized Aluminum End Plates (Pkg 10)	1455LALBK-10
Open Plastic Bezels, Black (Pkg 10)	1455LBBK-10



www.hammondmfg.com

A

A