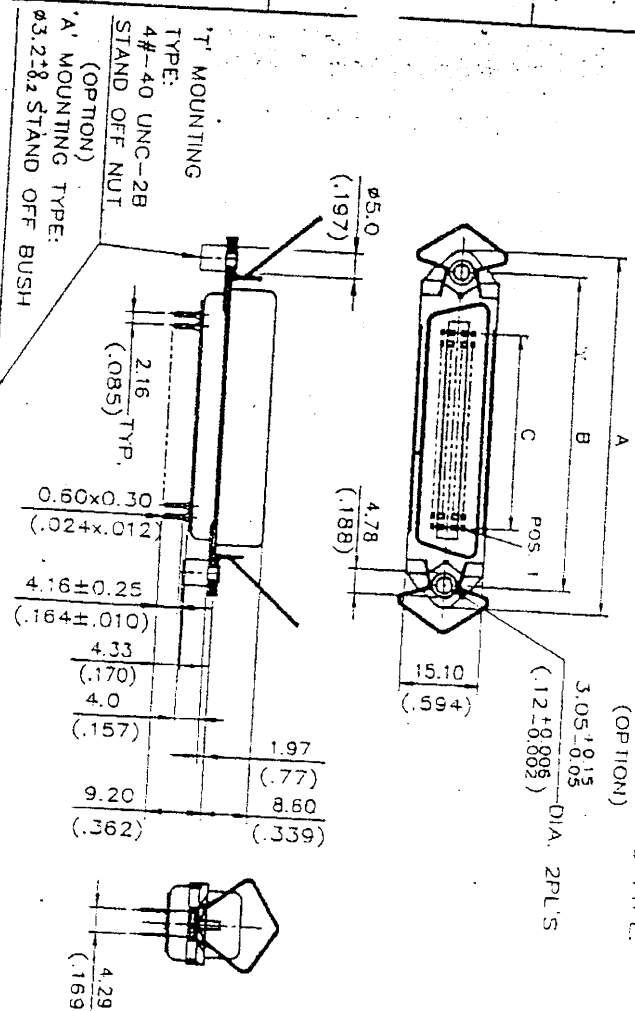


< 285 031 >

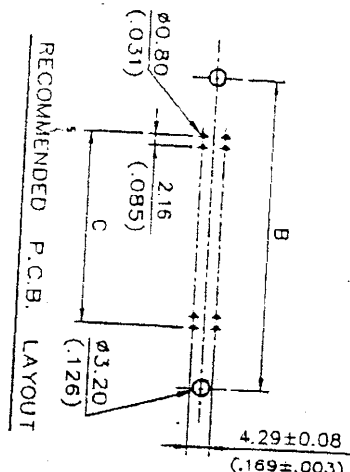
'S' MOUNTING TYPE:  
(OPTION)



SPECIFICATIONS:

- \*CURRENT RATING : 3A
- \*INSULATION RESISTANCE : 1000MΩ min. (500V DC)
- \*DIELECTRIC WITHSTANDING VOLTAGE : 1200V/FOR ONE MINUTE.
- \*CONTACT RESISTANCE : 30mΩ max.
- \*OPERATING TEMPERATURE : -55°C TO 105°C
- \*INSULATOR : PBT & GLASS-FIBER REINFORCED, UL-94V-0.
- \*CONTACT : PHOSPHOR BRONZE, GOLD PLATED OVER NICKEL PLATED ON THE CONTACT AREA, TIN/LEAD PLATED ON THE SOLDER TAIL SECTION.

\*SHELL : STEEL, NICKEL PLATED.



RECOMMENDED P.C.B. LAYOUT

PART NO.  $\frac{51}{(1)} \frac{40}{(2)} \frac{360}{(3)} M \frac{-1}{(4)} \frac{0}{(5)} N \frac{S}{(7)} \frac{S}{(8)}$

(1) SERIES NUMBER :  
51 : STRAIGHT P.C.B MOUNTING TYPE  
RIBBON CONNECTOR

(2) CONTACT & CONNECTING TYPES :  
.10 : PLUG, WITHOUT SPRING LATCH  
.20 : SOCKET, WITHOUT SPRING LATCH  
.40 : SOCKET, WITH SPRING LATCH

(3) NUMBER OF CONTACTS :  
.140 : 14 POSITIONS  
.240 : 24 POSITIONS  
.360 : 36 POSITIONS  
.500 : 50 POSITIONS

(4) HOUSING CONSTRUCTION TYPES :  
M : WITH METAL FRONT SHELL

(5) COLOR CODES :  
.1 : BLUE  
.2 : GRAY  
.3 : BLACK

(6) CONTACT FINISH :  
.0 : GOLD FLASH OVER NICKEL  
.2 : 15μ GOLD PLATED OVER NICKEL  
.3 : 30μ GOLD PLATED OVER NICKEL

(7) STRAIN RELIEF :  
N : WITHOUT STRAIN RELIEF  
S : STANDARD THRU HOLES  
T : WITH 4#-40UNG STAND OFF NUT  
A : WITH 3.20 THRU HOLES STAND OFF BUSH

程 部

REV	ZONE	LTR	DESCRIPTION	DATE	REVISER	APPD

客户核准

MATERIAL	FINISH	ANGLE	SCALE	UNIT
C±0.13(.005)	B±0.13(.005)	A±0.36(.014)	1:1	mm/inch
51.84(2.041)	74.85(2.947)	83.30(3.280)	50	5140500M
36.72(1.446)	59.74(2.352)	68.20(2.685)	36	5140360M
23.76(0.935)	46.78(1.842)	55.25(2.175)	24	5140240M
12.96(0.510)	35.99(1.417)	44.45(1.750)	14	5140140M

NAME: ST SERIES 40  
STRAIGHT P.C.B MOUNTING TYPE  
RIBBON CONNECTORS (E-00312)