

DXW21BN7511T#

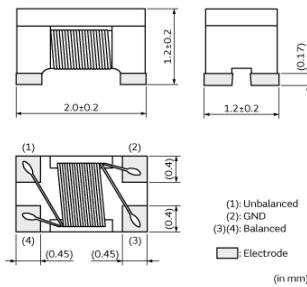
“#” indicates a package specification code.

In Production RoHS REACH

< List of part numbers with package codes >

DXW21BN7511TL DXW21BN7511TK DXW21BN7511TB

Appearance & Shape



Packaging Information

Packaging	Specifications	Minimum Order Quantity
L	180mm Embossed Tape	2000
K	330mm Embossed Tape	10000
B	Bulk(Bag)	500

Applications

Other Usage	For general
-------------	-------------

Attention
1.This datasheet is downloaded from the website of Murata Manufacturing Co., Ltd. Therefore, it's specifications are subject to change or our products in it may be discontinued without advance notice. Please check with our sales representatives or product engineers before ordering.
2.This datasheet has only typical specifications because there is no space for detailed specifications.
Therefore, please review our product specifications or consult the approval sheet for product specifications before ordering.

DXW21BN7511T#

“#” indicates a package specification code.

Features

1. Ultra Miniature Wire Wound Transformer
(2.0×1.2×1.2mm)
2. Low Insertion Loss
3. Wideband Frequency Range
4. Surface Mount

Applications

TV tuners, Cable TV tuners and Communication application that require unbalance mode to balance mode conversion.

Attention

- 1.This datasheet is downloaded from the website of Murata Manufacturing Co., Ltd. Therefore, it's specifications are subject to change or our products in it may be discontinued without advance notice. Please check with our sales representatives or product engineers before ordering.
- 2.This datasheet has only typical specifications because there is no space for detailed specifications.
Therefore, please review our product specifications or consult the approval sheet for product specifications before ordering.

DXW21BN7511T#

“#” indicates a package specification code.



Specifications

Operating Temperature Range	-40°C to 85°C
Frequency Range	50MHz to 1200MHz
Insertion Loss	50 to 870MHz:1.0dB max.(at Freq. Range),870 to 1200MHz:1.2dB max.(at Freq. Range)
Size Code (in mm)	2012
Size Code (in inch)	0805
Length	2mm
Length Tolerance	±0.2mm
Width	1.2mm
Width Tolerance	±0.2mm
Thickness	1.2mm
Thickness Tolerance	±0.2mm
Power Rating	27dBm
Rated Voltage	20Vdc
Withstanding Voltage	50Vdc
Port Impedance	75Ω - 75Ω
CMRR(min.)	20dB
DC Resistance(max.)	0.77Ω
Insulation Resistance(min.)	10MΩ
Mass(typ.)	0.011g

Attention

1.This datasheet is downloaded from the website of Murata Manufacturing Co., Ltd. Therefore, it's specifications are subject to change or our products in it may be discontinued without advance notice. Please check with our sales representatives or product engineers before ordering.

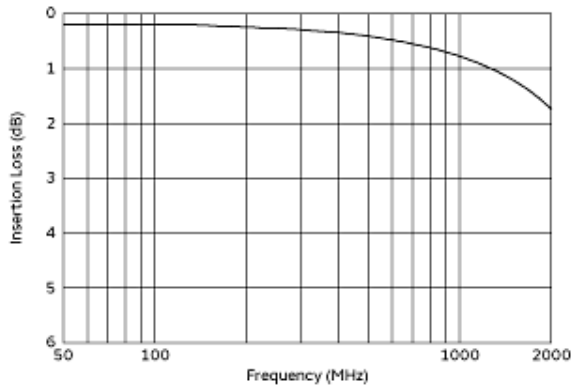
2.This datasheet has only typical specifications because there is no space for detailed specifications.

Therefore, please review our product specifications or consult the approval sheet for product specifications before ordering.

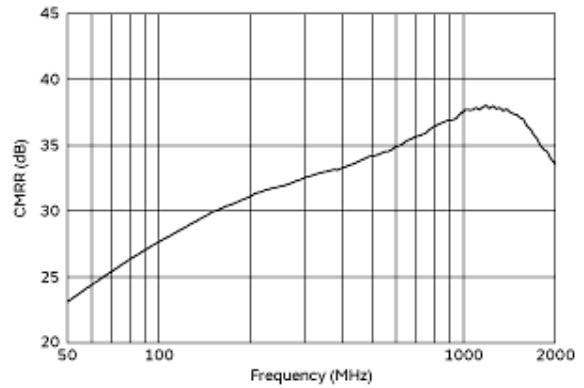
DXW21BN7511T#

"#" indicates a package specification code.

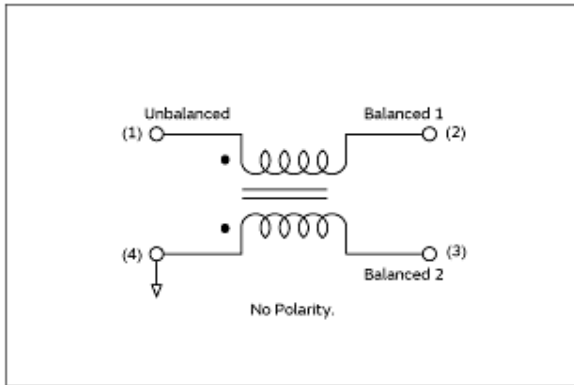
Product Data



Insertion Loss Characteristics



CMRR Characteristics



Equivalent Circuit

Attention

- 1.This datasheet is downloaded from the website of Murata Manufacturing Co., Ltd. Therefore, it's specifications are subject to change or our products in it may be discontinued without advance notice. Please check with our sales representatives or product engineers before ordering.
 - 2.This datasheet has only typical specifications because there is no space for detailed specifications.
- Therefore, please review our product specifications or consult the approval sheet for product specifications before ordering.