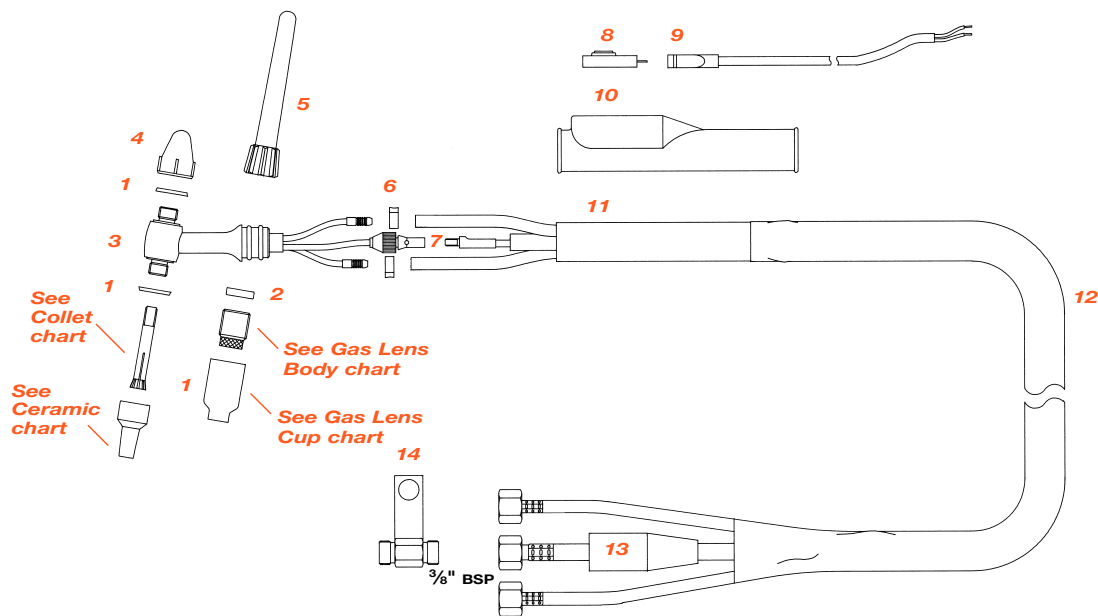


Water Cooled TIG Welding Torch

PA 301

Rating: 350A DC, 200A AC 0.040" – 7/32" Electrodes



MODEL	DESCRIPTION	PART NUMBER	
		3.5 M	7.0 M
PA 301	Water Cooled TIG Welding Torch c/w Overbraided Cables	0315121	0315251

COLLETS	
Part No	Description
0315020	Standard Collet 1.0mm
0315021	Standard Collet 1.6mm
0315022	Standard Collet 2.4mm
0315023	Standard Collet 3.2mm
0315024	Standard Collet 4.0mm
0315025	Standard Collet 4.8mm
0315026	Standard Collet 5.5mm

GAS LENS CUP	
Part No	Description
0315080	Gas Lens Cup 1/4 Bore
0315081	Gas Lens Cup 5/16 Bore
0315082	Gas Lens Cup 3/8 Bore
0315083	Gas Lens Cup 7/16 Bore
0315084	Gas Lens Cup 1/2 Bore
0315085	Gas Lens Cup 11/16 Bore

CERAMICS	
Part No	Description
0315030	Ceramic Cup 1/4 B X 1 1/2 L
0315031	Ceramic Cup 1/4 B X 1-13/16 L
0315032	Ceramic Cup 1/4 B X 2-5/8 L
0315033	Ceramic Cup 5/16 B X 1-1/2 L
0315034	Ceramic Cup 3/8 B X 1-1/4 L
0315035	Ceramic Cup 3/8 B X 1-13/16 L
0315036	Ceramic Cup 7/16 B X 1-4 L
0315037	Ceramic Cup 7/16 B X 1-13/16 L

COMPONENTS	
Part No	Description
1	0315049 Seal Washer
2	0315079 Gas Lens Insulator
3	0315100 Torch Body
4	0315041 Short Back Cap
5	0315042 Long Back Cap
6	BC5025 Hose Clamp
7	0315052 Crimp Connector
8	950 Microswitch
9	950-40 Switch & Leads X 4mt
	950-80 Switch & Leads X 4mt
10	607663 Rubber Boot
11	0315050 Handle
12	0315064 O/B Power Cable Assembly X 3.5m
	0315065 O/B Power Cable Assembly X 7m
13	0315071 Insulation Boot
14	0315012 Power Cable Adaptor

GAS LENS BODY	
Part No	Description
0316024	Gas Lens Body 3/64
0316025	Gas Lens Body 1/16
0316026	Gas Lens Body 3/32
0316027	Gas Lens Body 1/8
0316028	Gas Lens Body 5/32