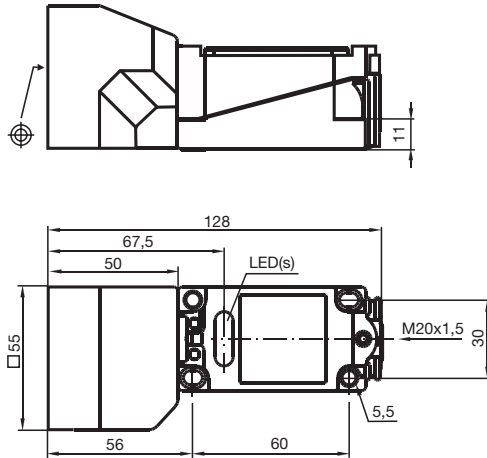
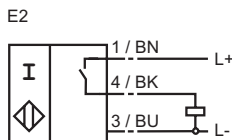


Comfort series
40 mm not embeddable



| | | |
|-----------------------------------|------------------------------------|---------------|
| Switching element function | PNP | Make function |
| Rated operating distance s_n | 40 mm | |
| Installation | not embeddable | |
| Assured operating distance s_a | 0 ... 32,4 mm | |
| Reduction factor r_{AI} | 0,5 | |
| Reduction factor r_{Cu} | 0,45 | |
| Reduction factor r_{V2A} | 0,8 | |
| Operating voltage U_B | 10 ... 60 V | |
| Switching frequency f | 0 ... 100 Hz | |
| Hysteresis H | 1 ... 10 typ. 5 % | |
| Reverse polarity protection | Protected against reverse polarity | |
| Short circuit protection | pulsing | |
| Voltage drop U_d | $\leq 2,8$ V | |
| Operating current I_L | 0 ... 200 mA | |
| Off-state current I_r | 0 ... 0,5 mA typ. 0,01 mA | |
| No-load supply current I_0 | ≤ 10 mA | |
| Operating voltage display | LED, green | |
| Indication of the switching state | LED, yellow | |
| Standards | EN 60947-5-2 | |
| Ambient temperature | -25 ... 70 °C (248 ... 343 K) | |
| Storage temperature | -25 ... 85 °C (248 ... 358 K) | |
| Connection type | terminal compartment | |
| Core cross-section | up to 2.5 mm ² | |
| Housing material | PBT | |
| Sensing face | PBT | |
| Protection degree | IP68 | |

Connection_type:



084528_ENG.xml

2003-05-28