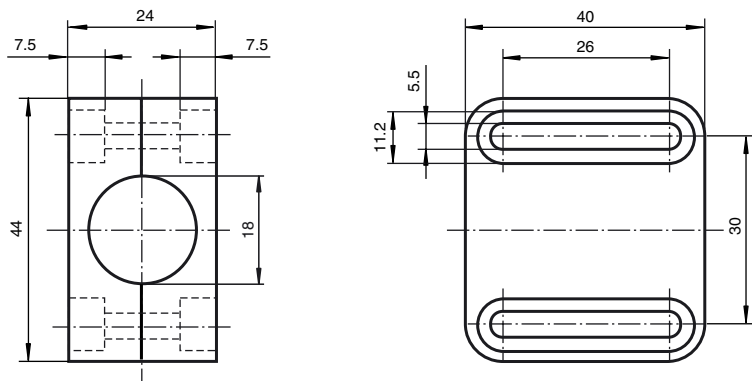




Dimensions



Model number

BF 18

Mounting flange, 18 mm

Features

- Retainer for all cylindrical sensors with M18 thread
- Simple installation and exact setting
- Large sensing range (max. 20 mm)

Technical data

General specifications

Inside diameter 18 mm

Mechanical specifications

Material Lower section: PBT (green)  
Upper section: PA (transparent)

Dimensions 40 mm x 44 mm x 24 mm