



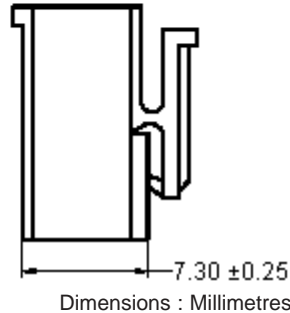
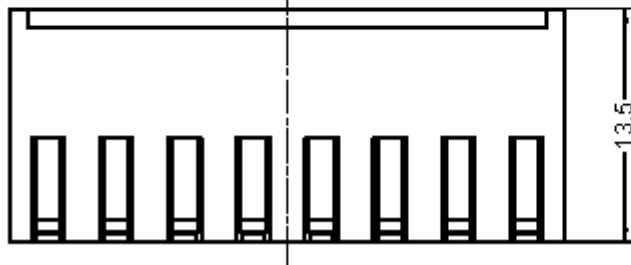
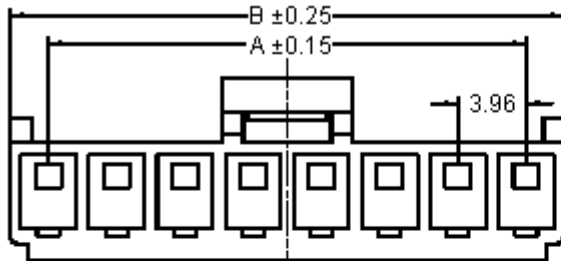
PART NO.

2114H - Series

REVISIONS

ECN #	REV	DESCRIPTION	DRAWN	DATE	CHECKD	DATE	APPRVD	DATE
-	A	RELEASED	Veena	19/11/08	Suresh	19/11/08	Farnell	03/12/08

3.96mm Crimp Housing



Dimensions : Millimetres



Specifications:

- Current rating : 7.0A ac/dc.
- Voltage rating : 250V ac/dc.
- Maximum contact resistance : 10mΩ.
- Minimum insulation resistance : 1000MΩ.
- Withstanding voltage : 1500V ac/minute.
- Operating temperature range : -40°C to +105°C.
- Application wires : 18 to 22AWG.

Material and Finish:

- Insulator : Nylon 66.
- Insulator colour : White.
- Contact : Brass.
- Finish : Tin plated.

This data sheet and its contents (the "Information") belong to the Premier Farnell Group (the "Group") or are licensed to it. No licence is granted for the use of it other than for information purposes in connection with the products to which it relates. No licence of any intellectual property rights is granted. The Information is subject to change without notice and replaces all data sheets previously supplied. The Information supplied is believed to be accurate but the Group assumes no responsibility for its accuracy or completeness, any error in or omission from it or for any use made of it. Users of this data sheet should check for themselves the Information and the suitability of the products for their purpose and not make any assumptions based on information included or omitted. Liability for loss or damage resulting from any reliance on the Information or use of it (including liability resulting from negligence or where the Group was aware of the possibility of such loss or damage arising) is excluded. This will not operate to limit or restrict the Group's liability for death or personal injury resulting from its negligence. SPC MULTICOMP is the registered trademark of the Group. © Premier Farnell plc 2008.

TOLERANCES:

UNLESS OTHERWISE SPECIFIED, DIMENSIONS ARE FOR REFERENCE PURPOSES ONLY.

DRAWN BY:	DATE:
Veena	19/11/08
CHECKED BY:	DATE:
Suresh	19/11/08
APPROVED BY:	DATE:
Farnell	03/12/08

DRAWING TITLE:

3.96mm Crimp Housing - Wire-to-Board

SIZE	DWG NO.	ELECTRONIC FILE	REV
A	M10001822	1675782-TDS_DWG	A
SCALE: NTS		U.O.M.: mm	SHEET: 1 OF 3



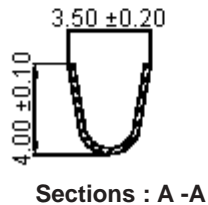
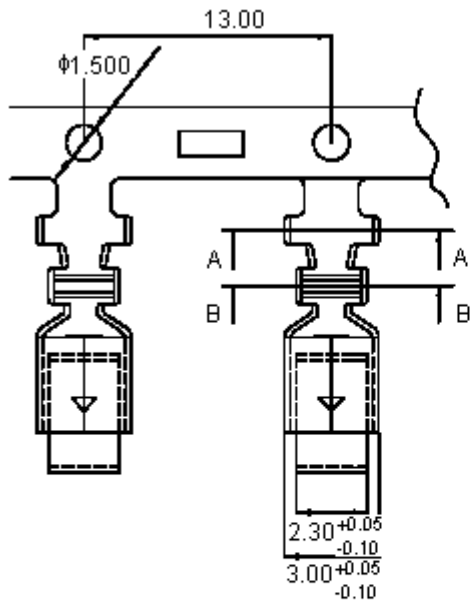
PART NO.

2114H - Series

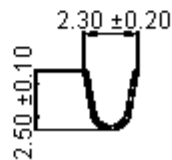
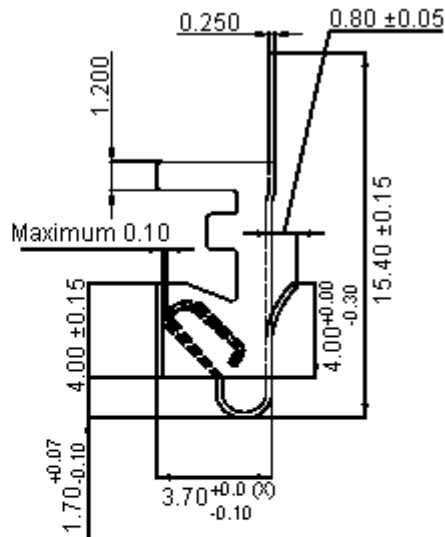
REVISIONS

ECN #	REV	DESCRIPTION	DRAWN	DATE	CHECKD	DATE	APPRVD	DATE
-	A	RELEASED	Veena	19/11/08	Suresh	19/11/08	Farnell	03/12/08

Accessories - Crimp Pin



Sections : A - A



Sections : B - B

Dimensions : Millimetres

Specifications:

- Current rating : 7.0A ac/dc.
 - Voltage rating : 250V ac/dc.
 - Maximum contact resistance : 20mΩ.
 - Minimum insulation resistance : 1000MΩ.
 - Withstanding voltage : 1500V ac/minute.
 - Temperature range : -25°C to +125°C.
 - Application wires : 18 to 22AWG.
- Material:**
- Contact : Phosphor bronze or brass.
 - Tin plated : 80 to 120μ inches tin over 20 to 40μ inches nickel.

This data sheet and its contents (the "Information") belong to the Premier Farnell Group (the "Group") or are licensed to it. No licence is granted for the use of it other than for information purposes in connection with the products to which it relates. No licence of any intellectual property rights is granted. The Information is subject to change without notice and replaces all data sheets previously supplied. The Information supplied is believed to be accurate but the Group assumes no responsibility for its accuracy or completeness, any error in or omission from it or for any use made of it. Users of this data sheet should check for themselves the Information and the suitability of the products for their purpose and not make any assumptions based on information included or omitted. Liability for loss or damage resulting from any reliance on the Information or use of it (including liability resulting from negligence or where the Group was aware of the possibility of such loss or damage arising) is excluded. This will not operate to limit or restrict the Group's liability for death or personal injury resulting from its negligence. SPC MULTICOMP is the registered trademark of the Group. © Premier Farnell plc 2008.

TOLERANCES:
UNLESS OTHERWISE SPECIFIED, DIMENSIONS ARE FOR REFERENCE PURPOSES ONLY.

DRAWN BY:	DATE:
Veena	19/11/08
CHECKED BY:	DATE:
Suresh	19/11/08
APPROVED BY:	DATE:
Farnell	03/12/08

DRAWING TITLE:			
3.96mm Crimp Housing - Wire-to-Board			
SIZE	DWG NO.	ELECTRONIC FILE	REV
A	M10001822	1675782-TDS_DWG	A
SCALE: NTS		U.O.M.: mm	SHEET: 2 OF 3

