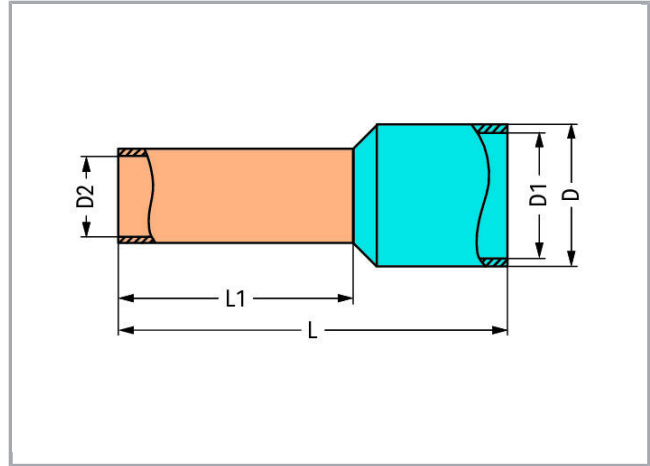


**Data sheet | Item number: 216-207**

Ferrule; Sleeve for 4 mm<sup>2</sup> / AWG 12; insulated; electro-tin plated; gray

[www.wago.com/216-207](http://www.wago.com/216-207)



Subject to changes. Please also observe the further product documentation!

WAGO Kontakttechnik GmbH & Co. KG  
Hansastr. 27  
32423 Minden  
Phone: +49571 887-0 | Fax: +49571 887-169  
Email: [info.de@wago.com](mailto:info.de@wago.com) | Web: [www.wago.com](http://www.wago.com)

Do you have any questions about our products?  
We are always happy to take your call at +49 (571) 887-44222.



Subject to changes. Please also observe the further product documentation!

RoHS   
Compliant



Color: 

## Data

### Technical Data

Main product function	Ferrule
Sleeve cross-section (AWG)	12 AWG
Sleeve for	4 mm <sup>2</sup>

### Connection data

Strip length	12 mm / 0.47 inch
--------------	-------------------

### Geometrical Data

Length	18 mm
Length	18 mm
Length 1	10 mm
Diameter	5.4 mm
Diameter	5.4 mm
Diameter 1	4.8 mm
Diameter 2	2.8 mm

### Material Data

Color	gray
Fire load	0.003 MJ
Weight	0.3 g

### Commercial data

Product Group	2 (Terminal Block Accessories)
Packaging type	BOX
Country of origin	DE
GTIN	4017332277525
Customs tariff number	85369010000

Subject to changes. Please also observe the further product documentation!

WAGO Kontakttechnik GmbH & Co. KG  
Hansastr. 27  
32423 Minden  
Phone: +49571 887-0 | Fax: +49571 887-169  
Email: [info.de@wago.com](mailto:info.de@wago.com) | Web: [www.wago.com](http://www.wago.com)

Do you have any questions about our products?  
We are always happy to take your call at +49 (571) 887-44222.

## Counterpart

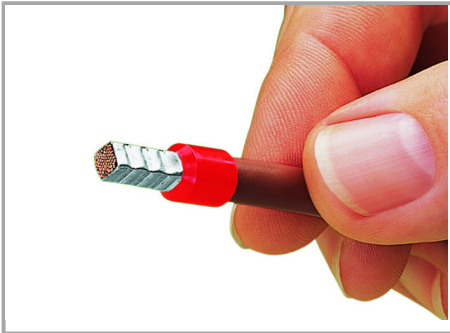
## Downloads

### Documentation

#### Bid Text

216-207 GAEB X81 - Datei	Feb 19, 2019	xml 2.9 kB	Download
216-207 doc - Datei	Sep 11, 2017	doc 24.1 kB	Download

## Handling Instructions



A perfect gas-tight crimp – both electrically and mechanically reliable

Subject to changes. Please also observe the further product documentation!