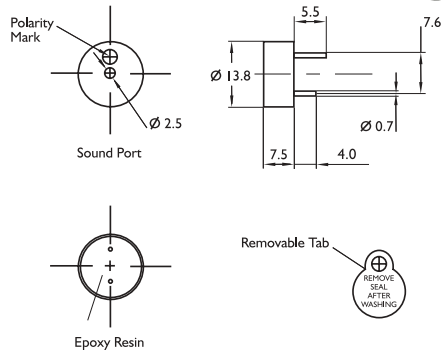


ABI 001 RC
PIEZO INDICATOR



Dimensions Unit: mm Tolerance: ±0.5mm

Specifications	ABI 001 RC
Rated voltage	12VDC
Operating voltage	3-16VDC
Rated current*	≤7mA
Sound output at 10cm*	≥80dB
Resonant frequency	4000±500Hz
Tone	Continuous
Operating temperature	-20~+70°C
Storage temperature	-30~+80°C
Weight	1g

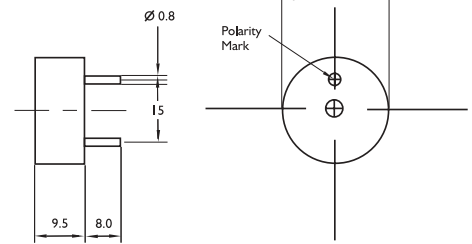
*Value applying at rated voltage (DC)

Features

- Black in colour
- Built-in oscillating circuit
- Low power consumption
- Wave solderable and washable
- Housing material: Noryl
- PCB mountable
- Sealed base

All data at 25°C unless otherwise specified

ABI 003 RC
PIEZO INDICATOR



Dimensions Unit: mm Tolerance: ±0.5mm

Specifications	ABI 003 RC
Rated voltage	12VDC
Operating voltage	3-20VDC
Rated current*	≤15mA
Sound output at 10cm*	≥95dB
Resonant frequency	3400±500Hz
Tone	Continuous
Operating temperature	-20~+60°C
Storage temperature	-30~+70°C
Weight	4g

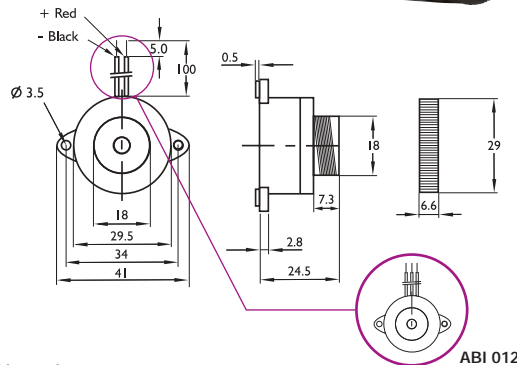
*Value applying at rated voltage (DC)

Features

- Black in colour
- High sound output
- Wave solderable
- Sealed base
- PCB mountable

All data at 25°C unless otherwise specified

ABI 004 RC/013 RC
ABI 005/012
PIEZO INDICATOR



Dimensions Unit: mm Tolerance: ±0.5mm

Specifications	ABI 004 RC	ABI 005	ABI 012	ABI 013 RC
Rated voltage	12VDC	24VDC	12VDC	12VDC
Operating voltage	1.5-16VDC	1.5-28VDC	3-15VDC	3-15VDC
Rated current*	≤15mA	≤20mA	≤20mA	≤10mA
Sound output at 30cm*	≥95dB	≥95dB	≥90dB	≥90dB
Resonant frequency	3500±500Hz	3500±500Hz	3200±500Hz	3200±500Hz
Tone	Continuous	Continuous	Dual	Pulse
Operating temp	-20~+60°C	-20~+60°C	-20~+60°C	-20~+60°C
Storage temp	-30~+70°C	-20~+60°C	-20~+60°C	-30~+70°C
Lead wire	UL1007	-	-	UL1007
	AWG26	-	-	AWG26
Weight	15g	15g	15g	15g

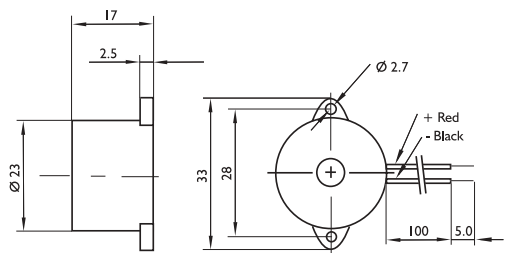
*Value applying at rated voltage (DC)

Features

- Black in colour
- Fitted with 100mm flying leads
- Panel or base flange mounted
- Housing material: ABS

All data at 25°C unless otherwise specified

ABI 006 RC
PIEZO INDICATOR



Dimensions Unit: mm Tolerance: ±0.5mm

Specifications	ABI 006 RC
Rated voltage	12VDC
Operating voltage	3-16VDC
Rated current*	≤8mA
Sound output at 30cm*	≥90dB
Resonant frequency	3700±500Hz
Tone	Continuous
Operating temperature	-20~+60°C
Storage temperature	-30~+80°C
Lead wire	UL1095 AWG28
Weight	5g

*Value applying at rated voltage (DC)

Features

- Black in colour
- Flange mounted with wire leads
- Built-in oscillating circuit
- Housing material: ABS

All data at 25°C unless otherwise specified

Telephone
01258 456360

Facsimile
01258 459194

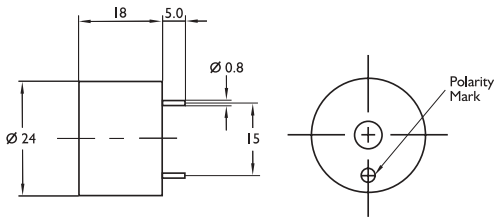
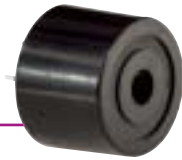
Email
sales@abcomponents.co.uk

Website
www.abcomponents.co.uk



ALAN BUTCHER COMPONENTS LTD

ABI 007 RC
PIEZO INDICATOR



Dimensions Unit: mm Tolerance: ±0.5mm

Specifications	ABI 007 RC
Rated voltage	12VDC
Operating voltage	3-16VDC
Rated current*	≤8mA
Sound output at 30cm*	≥90dB
Resonant frequency	3700±500Hz
Tone	Continuous
Operating temperature	-20~+60°C
Storage temperature	-30~+70°C
Weight	5g

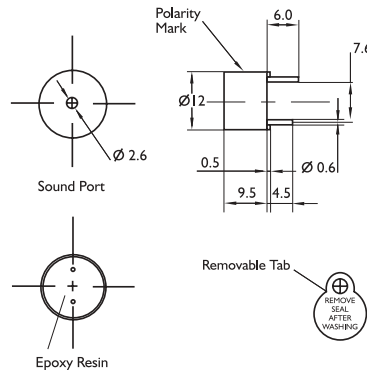
*Value applying at rated voltage (DC)

Features

- Black in colour
- Wave solderable and washable
- Housing material: Noryl
- PCB Thro hole mounted
- Sealed base

All data at 25°C unless otherwise specified

ABI 009 RC/010 RC
ELECTRO MECHANICAL INDICATOR



Dimensions Unit: mm Tolerance: ±0.5mm

Specifications	ABI 009 RC	ABI 010 RC
Rated voltage	6VDC	12VDC
Operating voltage	4-7VDC	8-16VDC
Rated current*	≤30mA	≤30mA
Sound output at 10cm*	≥85dB	≥85dB
Resonant frequency	2300±300Hz	2300±300Hz
Tone	Continuous	Continuous
Operating temperature	-20~+70°C	-20~+70°C
Storage temperature	-30~+80°C	-30~+80°C
Weight	2g	2g

*Value applying at rated voltage (DC)

Features

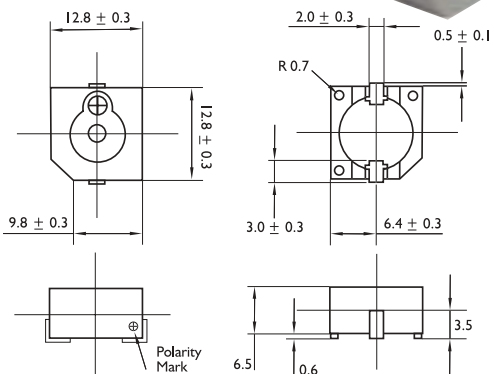
- Black in colour
- Built-in oscillating circuit
- Sealed structure
- Wave solderable and washable
- Housing material: Noryl

All data at 25°C unless otherwise specified

Applications

- Computer and peripherals
- Communications equipment
- Portable equipment
- Automobile electronics
- POS system
- Electronic cash register

ABI 017 RC/018 RC
SURFACE MOUNT INDICATOR



Dimensions Unit: mm Tolerance: ±0.5mm

Specifications	ABI 017 RC	ABI 018 RC
Rated voltage	5VDC	12VDC
Operating voltage	4-7VDC	8-15VDC
Rated current*	≤30mA	≤30mA
Sound output at 10cm*	≥88dB	≥85dB
Resonant frequency	2400±400Hz	2400±400Hz
Tone	Continuous	Continuous
Operating temperature	-20~+70°C	-20~+70°C
Storage temperature	-30~+80°C	-30~+80°C
Weight	2g	2g

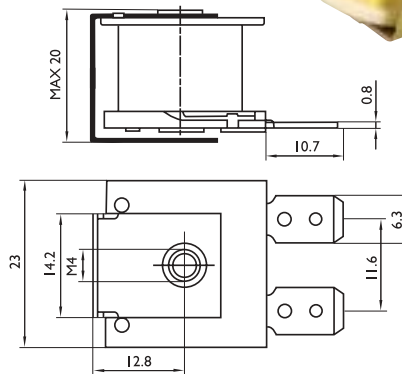
*Value applying at rated voltage (DC)

Features

- Reflow solderable and washable
- Compact surface mount indicator
- Housing material: PPS
- Pin material: Brass

All data at 25°C unless otherwise specified

ABI 019 RC
MAINS BUZZER



Dimensions Unit: mm Tolerance: ±0.5mm

Specifications	ABI 019 RC
Rated voltage	220VAC
Operating voltage	160-260VAC
Rated current*	≤30mA
Sound output at 10cm*	≥80dB
Coil resistance	6500Ω±10%
Operating temperature	-20~+60°C
Storage temperature	-30~+70°C
Weight	18g

*Value applying at rated voltage (DC)

Features

- Suitable for applications where the only supply available is 240V mains
- Fixing via a 4mm screw
- Housing material: PBT
- Tab material: Brass

All data at 25°C unless otherwise specified

Telephone | 01258 456360

Facsimile | 01258 459194

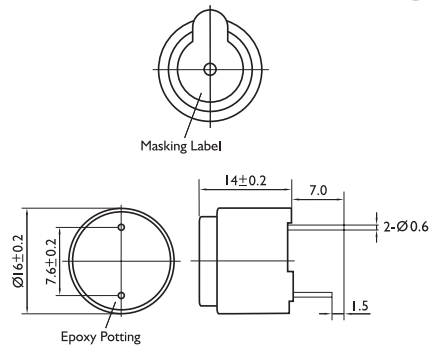
Email | sales@abcomponents.co.uk

Website | www.abcomponents.co.uk



ALAN BUTCHER COMPONENTS LTD

ABI 020 RC/021 RC
ELECTRO MECHANICAL
INDICATOR



Dimensions Unit: mm Tolerance: ±0.5mm

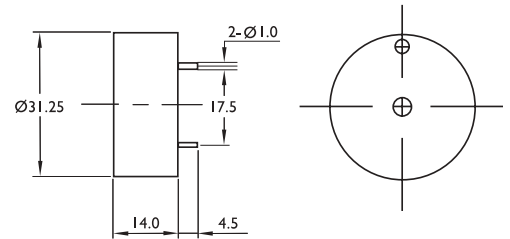
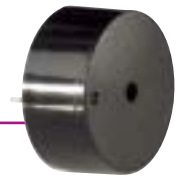
Specifications	ABI 020 RC	ABI 021 RC
Rated voltage	12VDC	6VDC
Operating voltage	8-15VDC	4-8VDC
Rated current*	≤30mA	≤30mA
Sound output at 10cm*	≥85dB	≥85dB
Resonant frequency	2300±300Hz	2300±500Hz
Tone	Continuous	Continuous
Operating temperature	-20~+70°C	-20~+70°C
Storage temperature	-30~+80°C	-30~+80°C
Weight	7g	7g

*Value applying at rated voltage (DC)

Features

- Black in colour
 - Sealed base
 - Wave solderable and washable
 - Housing material: Noryl
- All data at 25°C unless otherwise specified

ABI 022 RC
PIEZO INDICATOR



Dimensions Unit: mm Tolerance: ±0.5mm

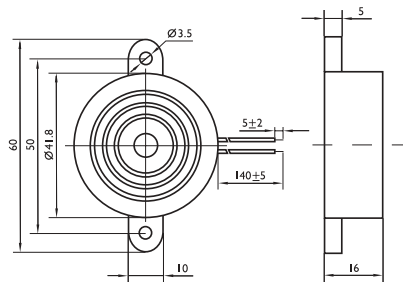
Specifications	ABI 022 RC
Rated voltage	12VDC
Operating voltage	5-15VDC
Rated current*	≤15mA
Sound output at 10cm*	≥100dB
Resonant frequency	3500±500Hz
Tone	Continuous
Operating temperature	-20~+60°C
Storage temperature	-30~+70°C
Weight	8g

*Value applying at rated voltage (DC)

Features

- Black in colour
 - Sealed base
 - Housing material: ABS
 - Pin material: Red copper
- All data at 25°C unless otherwise specified

ABI 023 RC
PIEZO INDICATOR



Dimensions Unit: mm Tolerance: ±0.5mm

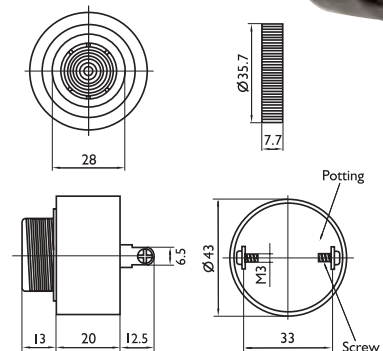
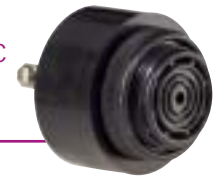
Specifications	ABI 023 RC
Rated voltage	12VDC
Operating voltage	1.5-20VDC
Rated current*	≤10mA
Sound output at 30cm*	≥96dB
Resonant frequency	2800±500Hz
Tone	Continuous
Operating temperature	-20~+60°C
Storage temperature	-30~+70°C
Lead Wire	UL1007 AWG28
Weight	15g

*Value applying at rated voltage (DC)

Features

- Black in colour
 - Flange mounted with wire leads
 - Housing material: ABS
 - Built-in oscillating circuit
- All data at 25°C unless otherwise specified

ABI 024 RC/025 RC/026 RC
PIEZO CERAMIC
INDICATOR



Dimensions Unit: mm Tolerance: ±0.5mm

Specifications	ABI 024 RC	ABI 025 RC	ABI 026 RC
Operating voltage	4-28VDC	6-28VDC	6-28VDC
Rated current*	≤8mA/12V	≤6mA/12V	≤6mA/12V
Sound output at 30cm*	≥97dB/12V	≥88dB/12V	≥88dB/12V
Resonant frequency	2800±500Hz	2900±500Hz	2900±500Hz
Tone	Continuous	Fast pulse	Slow pulse
Operating temp	-20~+60°C	-20~+60°C	-20~+60°C
Storage temp	-30~+70°C	-30~+70°C	-30~+70°C
Weight	43g	43g	43g

*Value applying at rated voltage (DC)

Features

- Black in colour
 - Panel mounted
 - Housing material: ABS
- All data at 25°C unless otherwise specified

Telephone
01258 456360

Facsimile
01258 459194

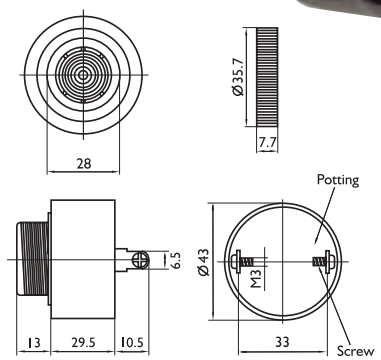
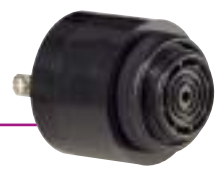
Email
sales@abcomponents.co.uk

Website
www.abcomponents.co.uk



ALAN BUTCHER COMPONENTS LTD

ABI 027 RC
PIEZO INDICATOR



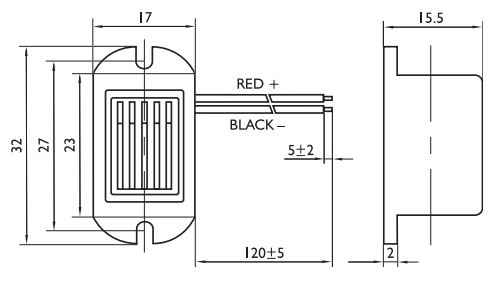
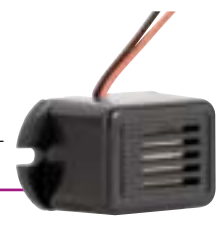
Dimensions Unit: mm Tolerance: ±0.5mm

Specifications	ABI 027 RC
Operating voltage	60-250VDC/AC
Rated current	≤16mA/250VDC/AC
Sound output at 30cm	≥91dB/220VDC/AC
Resonant frequency	2800±500Hz
Tone	Fast pulse
Operating temperature	-20-+60°C
Storage temperature	-30-+70°C
Weight	43g

Features

- Black in colour
 - Panel mounted
 - 60-250VAC/DC non-polar
 - Housing material: ABS
 - Fast pulse
- All data at 25°C unless otherwise specified

ABI 028-12 RC
ELECTRO MECHANICAL INDICATOR



Dimensions Unit: mm Tolerance: ±0.5mm

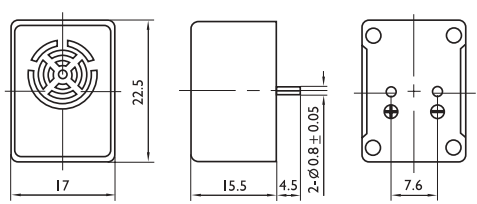
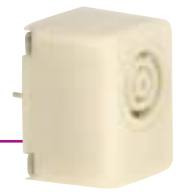
Specifications	ABI 028-12 RC
Rated voltage	12VDC
Operating voltage	9-15VDC
Rated current*	≤25mA/12VDC
Sound output at 20cm*	≥75dB/6VDC
Resonant frequency	400±100Hz
Tone	Continuous
Operating temperature	-10-+60°C
Storage temperature	-10-+70°C
Weight	10g

*Value applying at rated voltage (DC)

Features

- Black in colour
 - Low frequency range
 - Flange mounted with wire leads
 - Housing material: ABS
- All data at 25°C unless otherwise specified

ABI 030 RC
ELECTRO MECHANICAL INDICATOR



Dimensions Unit: mm Tolerance: ±0.5mm

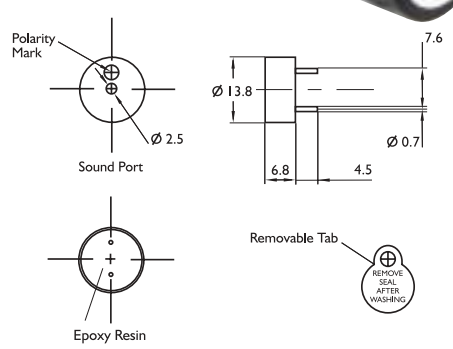
Specifications	ABI 030 RC
Rated voltage	12VDC
Operating voltage	9-15VDC
Rated current*	≤25mA
Sound output at 20cm*	≥75dB
Resonant frequency	400±100Hz
Tone	Continuous
Operating temperature	-20-+60°C
Storage temperature	-30-+70°C
Weight	10g

*Value applying at rated voltage (DC)

Features

- Low frequency range
 - PCB mountable
 - Housing material: White ABS
 - Pin material: Red copper
- All data at 25°C unless otherwise specified

ABT 402 RC
PIEZO TRANSDUCER



Dimensions Unit: mm Tolerance: ±0.5mm

Specifications	ABT 402 RC
Rated voltage (Vp-p square wave)	5Vp-p
Operating voltage	1-20Vp-p
Rated current at rated voltage	≤1mA
Capacitance	13000±30%pF
Sound output at 4000Hz at 10cm	≥80dB
Resonant frequency	4000±500Hz
Operating temperature	-20-+70°C
Storage temperature	-30-+80°C
Weight	1g

Requires additional electronic circuitry to operate as a sounder

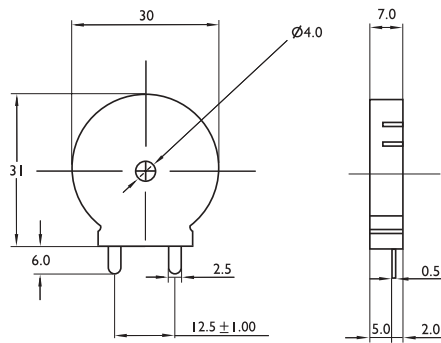
Features

- Low power consumption
 - Wave solderable and washable
 - PCB mountable
 - Sealed base
- All data at 25°C unless otherwise specified

Telephone | 01258 456360
Facsimile | 01258 459194
Email | sales@abcomponents.co.uk
Website | www.abcomponents.co.uk



ABT 403 RC
PIEZO TRANSDUCER



Dimensions Unit: mm Tolerance: ±0.5mm

Specifications	ABT 403 RC
Rated voltage (Vp-p square wave)	10Vp-p
Operating voltage	1-30Vp-p
Rated current at rated voltage	≤10mA
Capacitance	35000±30%pF
Sound output at 3000Hz at 10cm	≥90dB
Resonant frequency	3000±500Hz
Operating temperature	-20~+60°C
Storage temperature	-30~+70°C
Weight	5g

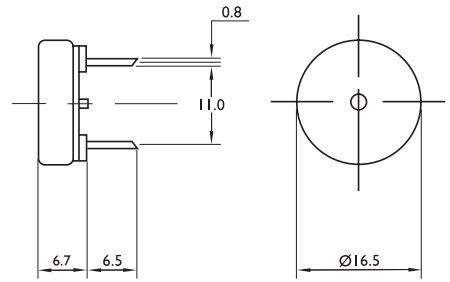
Requires additional electronic circuitry to operate as a sounder

Features

- Wave solderable
- Pin material: Beryllium bronze
- Vertical PCB edge mounting transducer
- Housing material: ABS

All data at 25°C unless otherwise specified

ABT 405 RC
PIEZO TRANSDUCER



Dimensions Unit: mm Tolerance: ±0.3mm

Specifications	ABT 405 RC
Rated voltage (Vp-p square wave)	3Vp-p
Operating voltage	1-30Vp-p
Rated current at rated voltage	≤1mA
Capacitance	10000±30%pF
Sound output at 4000Hz at 10cm	≥75dB
Resonant frequency	4000±500Hz
Operating temperature	-20~+70°C
Storage temperature	-30~+80°C
Weight	1g

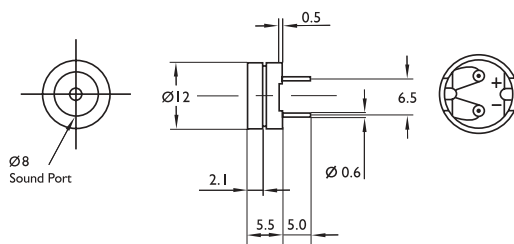
Requires additional electronic circuitry to operate as a sounder

Features

- Black in colour
- Low current consumption
- Pin material: Beryllium bronze
- Housing material: Noryl
- Low profile

All data at 25°C unless otherwise specified

ABT 407 RC
ELECTRO MECHANICAL
TRANSDUCER



Dimensions Unit: mm Tolerance: ±0.5mm

Specifications	ABT 407 RC
Rated voltage	1.5VDC
Operating voltage	1-3VDC
Rated current*	≤15mA
Sound output at 10cm*	≥70dB
Resonant frequency*	2048Hz
Coil resistance	42±6Ω
Coil impedance	120Ω
Operating temperature	-20~+70°C
Storage temperature	-30~+80°C
Weight	2g

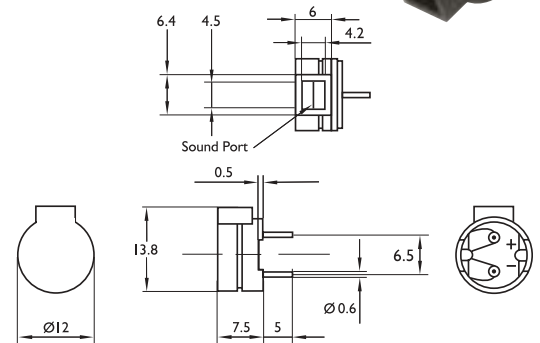
*Value applying at rated voltage (DC)

Features

- Black in colour
- Wave solder and wash NOT allowed
- Housing material: Noryl

All data at 25°C unless otherwise specified

ABT 408 RC
ELECTRO MECHANICAL
TRANSDUCER



Dimensions Unit: mm Tolerance: ±0.5mm

Specifications	ABT 408 RC
Rated voltage (Vp-p square wave)	1.5Vp-p
Operating voltage	1-3Vp-p
Rated current at rated voltage	≤70mA
Sound output at 2731Hz at 10cm	≥85dB
Resonant frequency	2731Hz
Coil resistance	6.5±1Ω
Coil impedance at 2731Hz	22Ω
Operating temperature	-20~+70°C
Storage temperature	-30~+85°C
Weight	2g

Requires additional electronic circuitry to operate as a sounder

Features

- Side opening for sound emission
- Small and low profile
- Housing material: Noryl SE1

All data at 25°C unless otherwise specified

Telephone
01258 456360

Facsimile
01258 459194

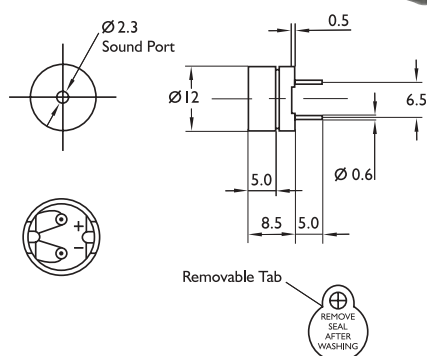
Email
sales@abcomponents.co.uk

Website
www.abcomponents.co.uk



ALAN BUTCHER COMPONENTS LTD

ABT 410 RC ELECTRO MECHANICAL TRANSDUCER



Dimensions Unit: mm Tolerance: ±0.5mm

Specifications	ABT 410 RC
Rated voltage (Vp-p square wave)	1.5Vp-p
Operating voltage	1-3Vp-p
Rated current at rated voltage	≤15mA
Sound output at 2048Hz at 10cm	≥80dB
Resonant frequency	2048Hz
Coil resistance	42±6Ω
Coil impedance at 2048Hz	120Ω
Operating temperature	-25~+70°C
Storage temperature	-30~+80°C
Weight	2g

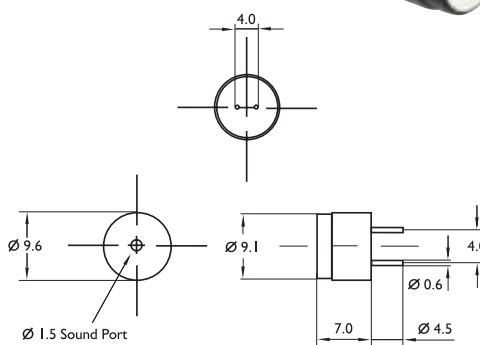
Requires additional electronic circuitry to operate as a sounder

Features

- Low current consumption
- PCB mountable
- Wave solderable and washable

All data at 25°C unless otherwise specified

ABT 411 RC/413 ELECTRO MECHANICAL TRANSDUCER



Dimensions Unit: mm Tolerance: ±0.5mm

Specifications	ABT 411 RC	ABT 413
Rated voltage	1.5Vp-p	5Vp-p
Operating voltage	1-3Vp-p	3-8Vp-p
Rated current*	≤80mA	≤60mA
Sound output at 10cm*	≥85dB	≥85dB
Resonant frequency*	3100Hz	3100Hz
Coil resistance	5.5±1Ω	40±4Ω
Coil impedance at 3100Hz	9.5Ω	80Ω
Operating temperature	-20~+70°C	-20~+70°C
Storage temperature	-30~+80°C	-30~+80°C
Weight	1g	1g

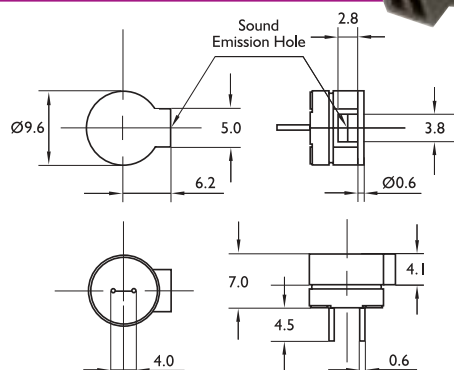
*Value applying at rated voltage (DC)

Features

- Black in colour
- Wave solder and wash NOT allowed
- Housing material: Noryl

All data at 25°C unless otherwise specified

ABT 412 RC ELECTRO MECHANICAL TRANSDUCER



Dimensions Unit: mm Tolerance: ±0.3mm

Specifications	ABT 412 RC
Rated voltage	1.5Vp-p
Operating voltage	1-3Vp-p
Rated current*	≤80mA
Sound output at 10cm*	≥85dB
Resonant frequency*	2731Hz
Coil resistance	5.5±1Ω
Coil impedance at 2730Hz	9.5Ω
Operating temperature	-20~+70°C
Storage temperature	-30~+80°C
Weight	2g

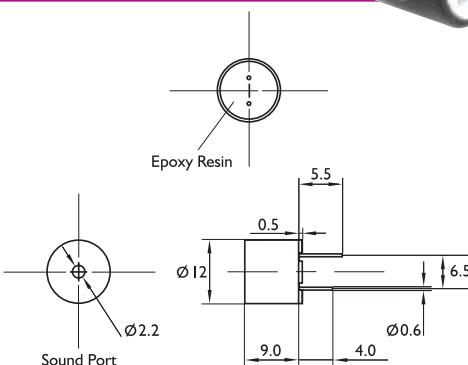
*Value applying at rated voltage (DC)

Features

- Black in colour
- Wave solder and wash NOT allowed
- Housing material: Noryl

All data at 25°C unless otherwise specified

ABT 414 RC ELECTRO MECHANICAL TRANSDUCER



Dimensions Unit: mm Tolerance: ±0.5mm

Specifications	ABT 414 RC
Rated voltage (Vp-p square wave)	5Vp-p
Operating voltage	3-8Vp-p
Rated current at rated voltage	≤40mA
Sound output at 2400Hz at 10cm	≥85dB
Resonant frequency	2400Hz
Coil resistance	45±5Ω
Coil impedance at 2400Hz	80Ω
Operating temperature	-20~+75°C
Storage temperature	-30~+85°C
Weight	2g

Requires additional electronic circuitry to operate as a sounder

Features

- Sealed base
- Wave solderable and washable
- Housing material: Noryl

All data at 25°C unless otherwise specified

Telephone | 01258 456360

Facsimile | 01258 459194

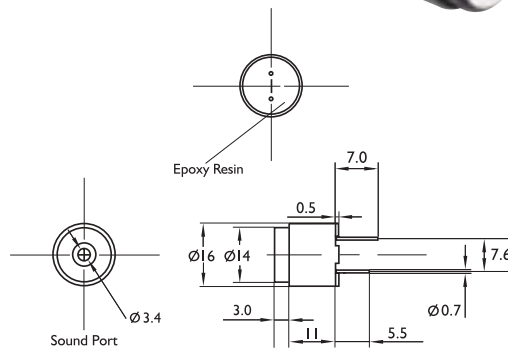
Email | sales@abcomponents.co.uk

Website | www.abcomponents.co.uk



ALAN BUTCHER COMPONENTS LTD

ABT 415 RC/416 RC
ELECTRO MECHANICAL
TRANSDUCER



Dimensions Unit: mm Tolerance: ±0.5mm

Specifications	ABT 415 RC	ABT 416 RC
Rated voltage (Vp-p square wave)	1.5VDC	6Vp-p
Operating voltage	1.3VDC	4-8Vp-p
Rated current*	≤18mA	≤40mA
Sound output at 2048Hz at 10cm*	≥80dB	≥85dB
Resonant frequency*	2048Hz	2048Hz
Coil resistance	27±3Ω	50±5Ω
Coil impedance at 2048Hz	80Ω	110Ω
Operating temperature	-20~+70°C	-20~+70°C
Storage temperature	-30~+80°C	-30~+80°C
Weight	2g	2g

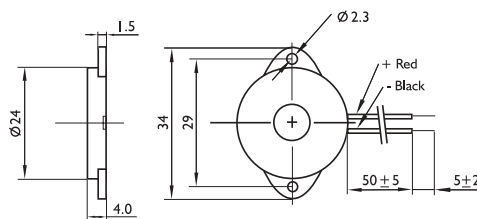
*Value applying at rated voltage (DC)

Features

- Black in colour
- Sealed base
- Wave solderable and washable
- Housing material: Noryl

All data at 25°C unless otherwise specified

ABT 422 RC
PIEZO TRANSDUCER



Dimensions Unit: mm Tolerance: ±0.5mm

Specifications	ABT 422 RC
Rated voltage (Vp-p square wave)	15Vp-p
Operating voltage	1-30Vp-p
Rated current at rated voltage	≤8mA
Capacitance at 1KHz	18000±30%pF
Sound output at 5500Hz at 30cm at rated voltage	≥90dB
Resonant frequency	5500±700Hz
Operating temperature	-20~+70°C
Storage temperature	-30~+80°C
Lead wire	UL1571 AWG32
Weight	3g

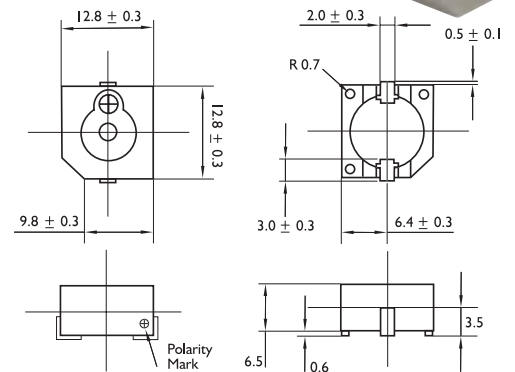
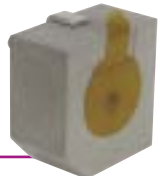
Requires additional electronic circuitry to operate as a sounder

Features

- Black in colour
- Low current and profile
- Housing material: ABS

All data at 25°C unless otherwise specified

ABT 418 RC/425 RC/427 RC
SURFACE MOUNT
TRANSDUCER



Dimensions Unit: mm Tolerance: ±0.5mm

Specifications	ABT 418 RC	ABT 425 RC	ABT 427 RC
Rated voltage (Vp-p square wave)	5Vp-p	1.5Vp-p	12Vp-p
Operating voltage	3-8Vp-p	1-3Vp-p	8-16Vp-p
Rated current at rated voltage	≤40mA	≤30mA	≤40mA
Sound output at 2400Hz at 10cm	≥85dB	≥80dB	≥85dB
Resonant frequency	2400Hz±400Hz	2400Hz±400Hz	2400Hz±400Hz
Coil resistance	45±5Ω	15±3Ω	140±14Ω
Operating temp	-20~+70°C	-20~+70°C	-20~+70°C
Storage temp	-30~+80°C	-30~+80°C	-30~+80°C
Weight	2g	2g	2g

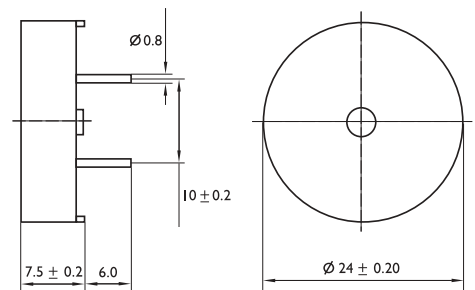
Requires additional electronic circuitry to operate as a sounder

Features

- Reflow solderable and washable
- Housing material: PPS

All data at 25°C unless otherwise specified

ABT 430
PIEZO TRANSDUCER



Dimensions Unit: mm Tolerance: ±0.5mm

Specifications	ABT 430
Rated voltage (Vp-p square wave)	9Vp-p
Operating voltage	1-30Vp-p
Rated current at rated voltage	≤3mA
Capacitance at 1KHz	17000±30%pF
Sound output at 4000Hz at 10cm at rated voltage	≥85dB
Resonant frequency	4000±500Hz
Operating temperature	-20~+60°C
Storage temperature	-30~+70°C
Weight	3g

Requires additional electronic circuitry to operate as a sounder

Features

- Black in colour
- Low current and profile
- Housing material: ABS

All data at 25°C unless otherwise specified

Telephone
01258 456360

Facsimile
01258 459194

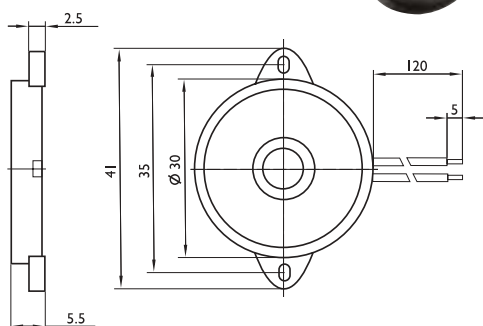
Email
sales@abcomponents.co.uk

Website
www.abcomponents.co.uk

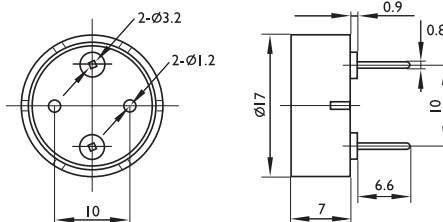
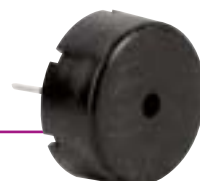


ALAN BUTCHER COMPONENTS LTD

ABT 431 RC
PIEZO TRANSDUCER



ABT 436 RC
PIEZO TRANSDUCER



Dimensions Unit: mm Tolerance: ±0.5mm

Specifications	ABT 431 RC
Rated voltage (Vp-p square wave)	9Vp-p
Operating voltage	1-30Vp-p
Rated current at rated voltage	≤3mA
Capacitance at 120Hz	20000±30%pF
Sound output at 3500Hz at 10cm at rated voltage	≥88dB
Resonant frequency	3500±500Hz
Operating temperature	-20-+60°C
Storage temperature	-30-+70°C
Lead wire	UL1905 AWG28
Weight	3.5g

Requires additional electronic circuitry to operate as a sounder

Features

- Black in colour
- Housing material: ABS
- Very low profile
- Low current consumption

All data at 25°C unless otherwise specified

Dimensions Unit: mm Tolerance: ±0.5mm

Specifications	ABT 436 RC
Rated voltage (Vp-p square wave)	5Vp-p
Operating voltage	1-30Vp-p
Rated current at rated voltage	≤1mA
Capacitance at 120Hz	15000±30%pF
Sound output at 4000Hz at 10cm at rated voltage	≥78dB
Resonant frequency	4000±500Hz
Operating temperature	-20-+70°C
Storage temperature	-30-+80°C
Weight	1g

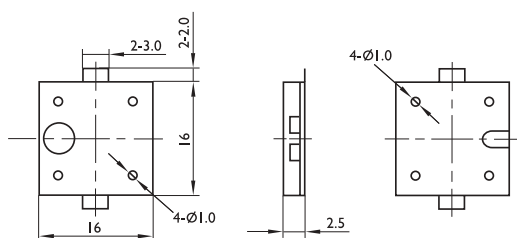
Requires additional electronic circuitry to operate as a sounder

Features

- Low current consumption
- PCB mountable
- Housing material: Noryl
- Pin material: Phosphor bronze

All data at 25°C unless otherwise specified

ABT 439 RC
SURFACE MOUNT
TRANSDUCER



Dimensions Unit: mm Tolerance: ±0.5mm

Specifications	ABT 439 RC
Rated voltage (Vp-p square wave)	3Vp-p
Operating voltage	1-25Vp-p
Rated current*	≤1mA
Capacitance at 1.0KHz	14000±30%pF
Sound output at 4KHz at 10cm*	≥70dB
Resonant frequency*	4000±500Hz
Operating temperature	-20-+70°C
Storage temperature	-30-+80°C
Weight	1g

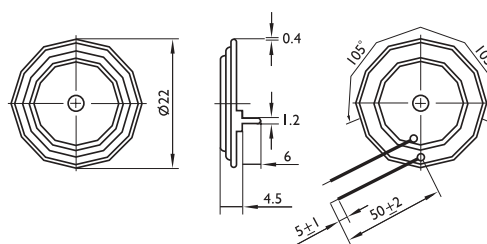
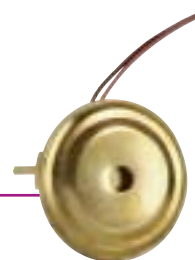
*Value applying at rated voltage (DC)

Features

- Black in colour
- Reflow solder allowed
- Housing material: LCP
- Pin material: Ni-alloy

All data at 25°C unless otherwise specified

ABT 440 RC
PIEZO TRANSDUCER



Dimensions Unit: mm Tolerance: ±0.5mm

Specifications	ABT 440 RC
Rated voltage (Vp-p square wave)	15Vp-p
Operating voltage	1-30Vp-p
Rated current at rated voltage	≤5mA
Sound output at 4300Hz at 10cm at rated voltage	≥90dB
Resonant frequency	4300±500Hz
Operating temperature	-20-+60°C
Storage temperature	-30-+70°C
Lead wire	UL1571 AWG32
Weight	2g

Requires additional electronic circuitry to operate as a sounder

Features

- Housing material: Brass
- Fitted with flying leads

All data at 25°C unless otherwise specified

Telephone | 01258 456360

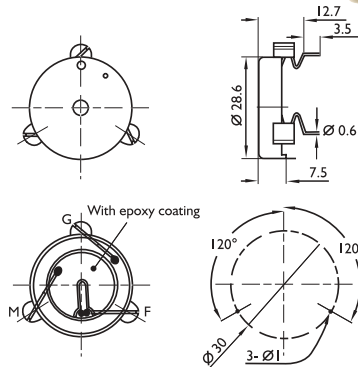
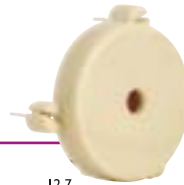
Facsimile | 01258 459194

Email | sales@abcomponents.co.uk

Website | www.abcomponents.co.uk



KPEG 132
PIEZO TRANSDUCER



Dimensions Unit: mm Tolerance: ±0.5mm

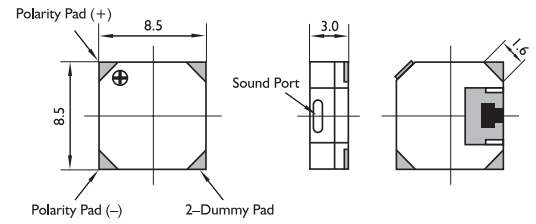
Specifications	KPEG 132
Rated voltage (Vp-p square wave)	12Vp-p
Operating voltage	3-28Vp-p
Rated current at rated voltage	≤8mA
Sound output at 3000Hz at 30cm at rated voltage	≥83dB
Resonant frequency	3000±500Hz
Tone	Continuous
Operating temperature	-30~+85°C
Storage temperature	-40~+95°C
Weight	3.8g

Requires additional electronic circuitry to operate as a sounder

Features

- Black in colour
 - Housing material: ABS UL-94 1/16" HB high heat
 - High output feedback terminal
 - PCB mountable
 - Wave solderable and washable
- All data at 25°C unless otherwise specified

ABT 443 RC
SURFACE MOUNT
TRANSDUCER



Dimensions Unit: mm Tolerance: ±0.5mm

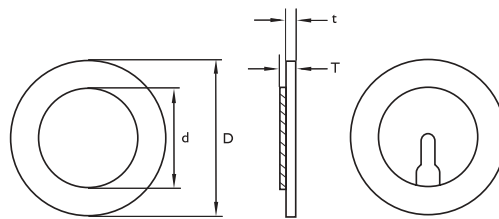
Specifications	ABT 443 RC
Rated voltage	3.6VDC
Operating voltage	2.5-4.5VDC
Rated current*	≤90mA
Sound output at 2730Hz at 10cm*	≥85dB
Resonant frequency*	2730Hz
Coil resistance	16±3Ω
Operating temperature	-30~+80°C
Storage temperature	-40~+85°C
Weight	0.5g

Requires additional electronic circuitry to operate as a sounder

Features

- Black in colour
 - Very small and low profile
 - Surface mount
 - Housing material: LCP
- All data at 25°C unless otherwise specified

KBI 2734/3526/3529F
ABT 432 RC
PIEZO ELEMENT



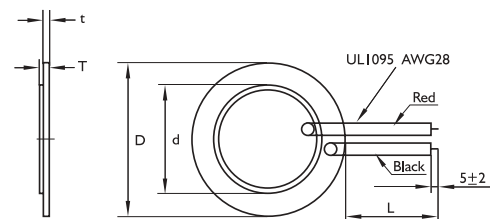
KBI 3529F
With feedback

Specifications	KBI 2734	KBI 3526	KBI 3529F	ABT 432 RC
Rated max voltage (Vp-p square wave)	30Vp-p	30Vp-p	30Vp-p	30Vp-p
Capacitance	13000pF	30000pF	21000pF	20000pF
Resonant frequency	3400±500Hz	2600±500Hz	2900±500Hz	4600±500Hz
Resonant impedance	≥250Ω	≥200Ω	≥350Ω	≥300Ω
Operating temp	-20~+70°C	-20~+70°C	-20~+70°C	-20~+60°C
Storage temp	-30~+80°C	-30~+80°C	-30~+80°C	-30~+70°C
Dimensions D±0.1	27mm	35mm	35mm	27mm
d±0.3	14.6mm	25mm	25mm	19.7mm
t±0.02	0.30mm	0.25mm	0.25mm	0.25mm
T±0.1	0.53mm	0.53mm	0.58mm	0.54mm

Features

- Low power consumption
- Reliable and lightweight

ABT 429-50/434/435
ABT 441 RC
PIEZO ELEMENTS WITH LEADS



Specifications	ABT 429-50	ABT 434	ABT 435	ABT 441 RC
Rated max voltage (Vp-p square wave)	30Vp-p	30Vp-p	30Vp-p	30Vp-p
Capacitance	30000pF	30000pF	85000pF	20000pF±30%
Resonant frequency	2600±500Hz	2700±500Hz	2500±500Hz	4200±500Hz
Resonant impedance	≥200Ω	≥300Ω	≥300Ω	≥300Ω
Operating temp	-20~+60°C	-20~+60°C	-20~+60°C	-20~+60°C
Storage temp	-20~+70°C	-20~+70°C	-20~+70°C	-20~+70°C
Dimensions D±0.1	35mm	27mm	20mm	27mm
d±0.3	25mm	20mm	15mm	20mm
t±0.02	0.25mm	0.25mm	0.085mm	0.3mm
T±0.1	0.53mm	0.53mm	0.19mm	0.52mm
Lead wire	-	-	-	ULI095 AWG28
Lead length (L)	50mm	125mm	50mm	200mm

Features

- Low power consumption
- Reliable and lightweight

Telephone
01258 456360

Facsimile
01258 459194

Email
sales@abcomponents.co.uk

Website
www.abcomponents.co.uk



ALAN BUTCHER COMPONENTS LTD