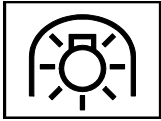
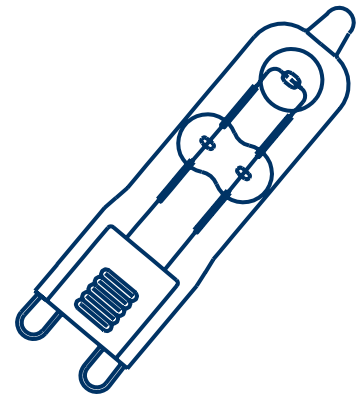
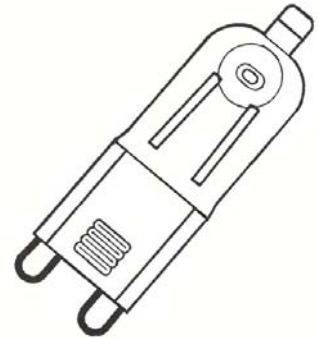


Characteristics:



- Most compact mains voltage halogen lamp
- New base / lampholder system G9
- With innovative bulb-pinch technology
- With integral safety fuse, meets the safety requirements of IEC 60432-2
- Approved to IEC 60598-1 for use in open luminaires
- Burner with UV-Filter glass
Meets the most stringent UV-protection thresholds (NIOSH).
Reduced UV bleaching
- 2000h average life time
- Clear and frosted version 230V u. 240V



Range:

Order code	Wattage*	Luminous flux**	Energy Label	Average life**	ILCOS-code
66725	25W	260lm	D	2000h	HSGST/C/UB-25-230-G9-22
66725AM	25W	230lm	E	2000h	HSGST/F/UB-25-230-G9-22
66740	40W	490lm	D	2000h	HSGST/C/UB-40-230-G9-22
66740AM	40W	460lm	E	2000h	HSGST/F/UB-40-230-G9-22
66660	60W	820lm	D	2000h	HSGST/C/UB-60-230-G9-26,5
66660AM	60W	790lm	D	2000h	HSGST/F/UB-60-230-G9-26,5
66675	75W	1100lm	D	2000h	HSGST/C/UB-75-230-G9-26,5
66675AM	75W	1050lm	D	2000h	HSGST/F/UB-75-230-G9-26,5

*Maximum power consumption is nominal value + 8% acc. to IEC 60357

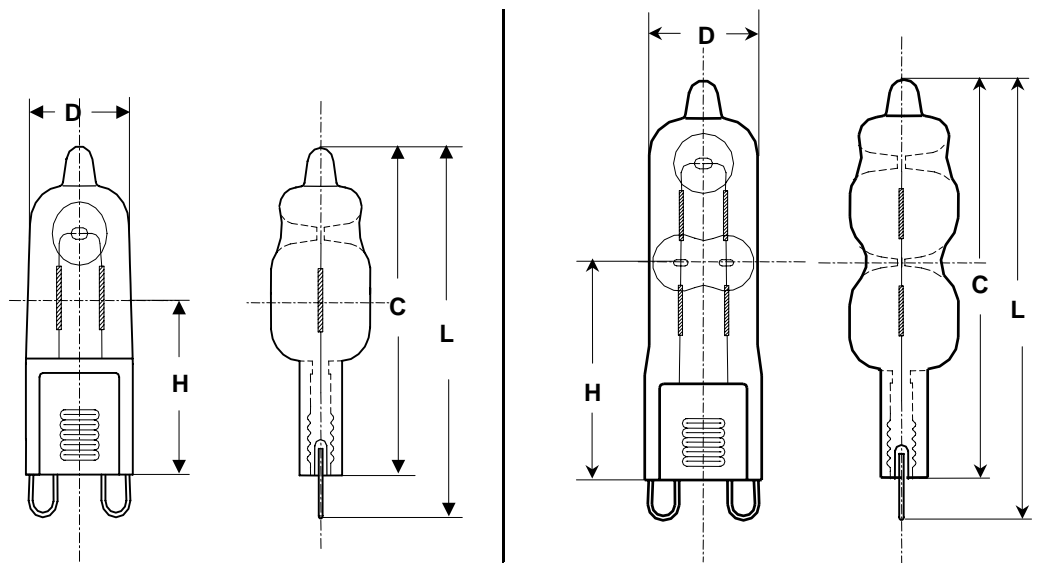
**may vary according to tolerances specified in IEC 60357

HALOPIN

Light data:

Maintenance	Decrease of luminous flux < 20% after 75% of the nominal life time
Colour temperature	2800 K ± 100
UV-radiation	The irradiance is clear below the NIOSH-threshold values for skin and eye. Due to UV-absorbing quartz glass the bleaching is clear reduced (depending on radiated material).
Light distribution	Available on the Light programm CD-ROM, in the directory "Eulumdat".

Geometry:



Values in mm

	66725/AM; 66740/AM	66660/AM; 66675/AM
Overall length L	Max. 43 mm	Max. 51 mm
Bulb length C	Max. 38 mm	Max. 46mm
LCL H	22 mm	26,5 mm
Bulb-∅ D	Max. 14 mm	Max. 14 mm



Please note:

Dimensions and tolerances are subject to change within the IEC regulations! Not explicitly given dimensions cannot be evaluated by measuring lamp samples!

Temperature behaviour:

	Pinch	Pin	Mechanical spring
Burning position	Free burning, vertical		
Max. permitted temperature acc. to IEC	350°C*	250°C	350°C
Operating temperatures measured free burning			
66725	175°C	130°C	170°C
66740	210°C	150°C	210°C
66660	220°C	140°C	220°C
66675	240°C	In preparation	

*Special foils on the pinch allows higher temperatures (= 370°C) than IEC 60357.

Measurement conditions:

Measurement in the most unfavourable burning position for the pinch and the pins.

Surrounding temperature: 25° (acc to DIN 5032)

Voltage: 230V

Lamp holder: BJB 25.830.100.00

Operating temperatures for free burning use are not obliging and are useful only for orientation.



Operating conditions:

Burning position	Any
Areas of application	For outdoor applications and operation in damp locations special approved fixtures are required.
Dimmability	100%

Safety Informations:



According to IEC 60598-1 "minimum safety distance" the max. temperature permitted on the illuminated area is 90°C. This max. temperature has to be ensured by the minimum distance. This distance has to be determined through the luminaire manufacturer by appropriate measurements.

When placing the lamp into the holder ensure not to touch the bulb with bare hands

Environmental sensitivity: HALOPIN can be disposed of as household waste.

Validity: These technical information sheets (TI-sheets) are updated in irregular intervals. The user is responsible to ensure that the information they have is up to date and still valid. Once a new TI-sheet has been issued, former editions are to be seen as invalid and disposed of.