

Miniature Rocker Switches multicomp^{PRO}

RoHS
Compliant

Non-Illuminated Rocker Switch



MP004405



MP004406/
MP004407



MP004408

Features

- 13mm × 19mm cut-out
- 10A 250V
- 4.8mm × 0.8mm faston tabs
- All black
- UL, ENEC, CQC, CE approvals

Illuminated Rocker Switch



MP004409



MP004429



MP004430

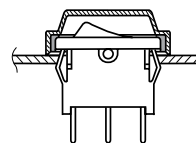
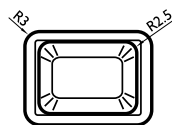
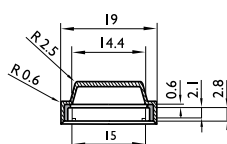
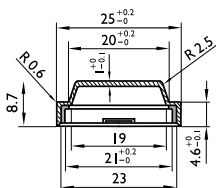
Rocker Switch Cap



MP004424

Features

- Splash Proof Cap
- Snap fits over 13mm × 19mm rocker switches
- IP65 when fitted correctly
- Black frame over moulded with PVC cap

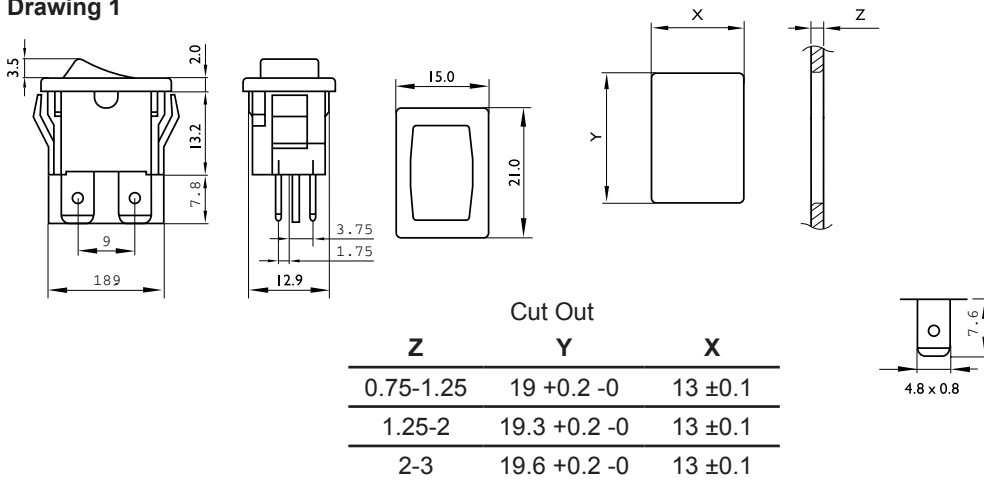


Newark.com/multicomp-pro
Farnell.com/multicomp-pro
Element14.com/multicomp-pro

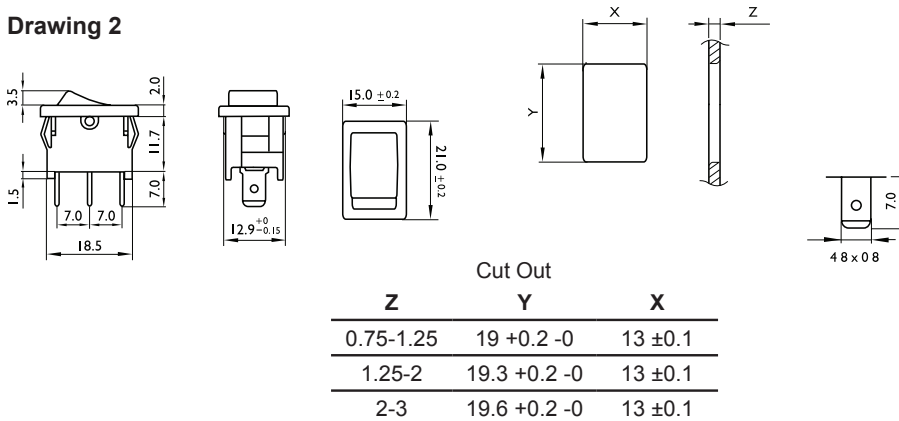
multicomp^{PRO}

Miniature Rocker Switches **multicomp**PRO

Drawing 1



Drawing 2



Dimensions : Millimetres

Specifications Table

Part No.	Rating	Actuator colour	Body colour	Marking	Drawing	Switch action
MP004405	10(4)A / 250V AC	Black	Black	N/A	Drawing 2	SPST latching
MP004406						SPDT latching changeover
MP004407				0 I	Drawing 1	DPST latching
MP004408	N/A					
MP004409	10(4)A / 250V AC	Red	Black	0 I	Drawing 2	SPST latching
MP004429	12V DC	Green				
MP004430		Red				

Important Notice : This data sheet and its contents (the "Information") belong to the members of the AVNET group of companies (the "Group") or are licensed to it. No licence is granted for the use of it other than for information purposes in connection with the products to which it relates. No licence of any intellectual property rights is granted. The Information is subject to change without notice and replaces all data sheets previously supplied. The Information supplied is believed to be accurate but the Group assumes no responsibility for its accuracy or completeness, any error in or omission from it or for any use made of it. Users of this data sheet should check for themselves the Information and the suitability of the products for their purpose and not make any assumptions based on information included or omitted. Liability for loss or damage resulting from any reliance on the Information or use of it (including liability resulting from negligence or where the Group was aware of the possibility of such loss or damage arising) is excluded. This will not operate to limit or restrict the Group's liability for death or personal injury resulting from its negligence. Multicomp Pro is the registered trademark of Premier Farnell Limited 2019.

Newark.com/multicomp-pro
Farnell.com/multicomp-pro
Element14.com/multicomp-pro

multicompPRO