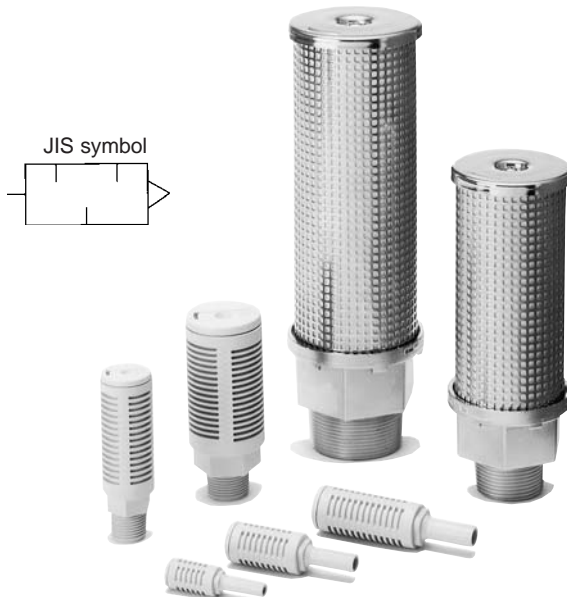


42dB(A): High Noise Reduction Silencer Series ANA1

A high noise reduction style silencer keeps the noise level inside a plant below 85dB(A).



How to Order

AN A1 - 03

Port size

Symbol	Port size	Connection
01	1/8	Screw-in*
02	1/4	
03	3/8	
04	1/2	
06	3/4	
10	1	
12	1 1/4	
14	1 1/2	
20	2	
C08 (ø8 One-touch fittings size)		
C10 (ø10 One-touch fittings size)		
C12 (ø12 One-touch fittings size)		

* Only R (PT) is available.

Series

Symbol	Noise reduction level
A1	40dB(A)

Specifications

Fluid	Compressed air
Max. operating pressure	1.0MPa
Noise reduction effect	42dB(A)
Ambient and fluid temperature	5 to 60°C



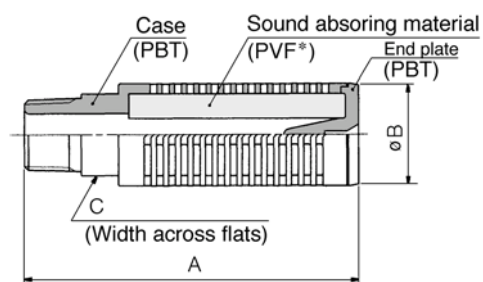
Refer to p.5.2-4 for precautions on these products.

Model (Screw-in connection)

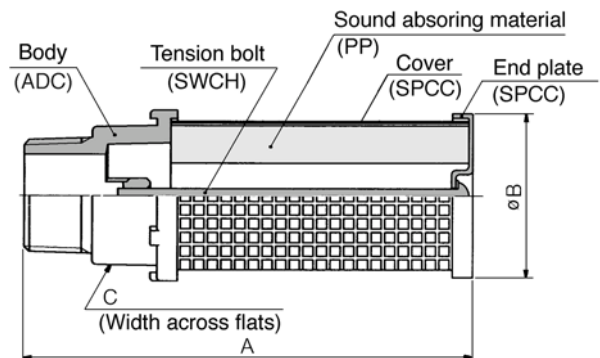
Model	Port size	Effective area (mm ²)	Weight (g)	Dimensions (mm)		
				A	B	C
ANA1-01	1/8	10	4	37	16	—
ANA1-02	1/4	15	14	64	22	18
ANA1-03	3/8	35	22	84	25	21
ANA1-04	1/2	60	36	98	30	24
ANA1-06	3/4	90	110	111	46	36
ANA1-10	1	160	180	132	50	41
ANA1-12	1 1/4	280	544	200	74	60
ANA1-14	1 1/2	450	612	230	74	60
ANA1-20	2	610	873	271	86	70

Construction/Parts/Dimensions

ANA1-01 to 06



ANA1-01 to 20

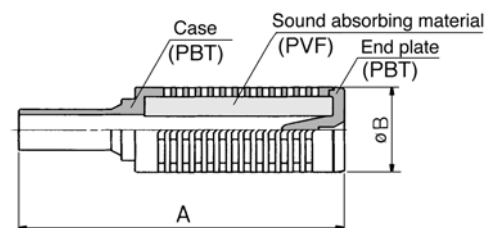


Model (One-touch fitting connection)

Model	One-touch fitting size	Effective area (mm ²)	Weight (g)	Dimensions (mm)	
				A	B
ANA1-C08	ø8	11	5	58	16
ANA1-C10	ø10	15	13	76	22
ANA1-C12	ø12	33	19	95	25

Construction/Dimensions

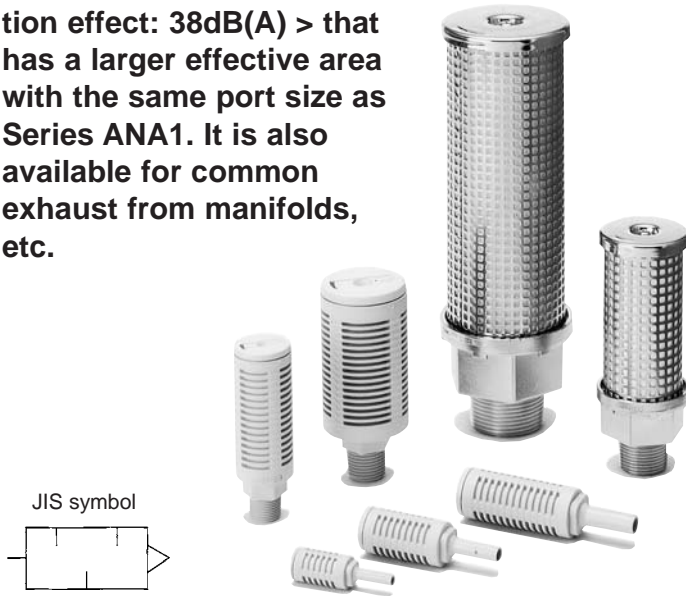
ANA1-C08 to C12



40dB(A): High Noise Reduction Silencer

Series ANB1

Series ANB1 <noise reduction effect: 38dB(A) > that has a larger effective area with the same port size as Series ANA1. It is also available for common exhaust from manifolds, etc.



How to Order

AN B1 - 03

Port size

Symbol	Port size	Connection
01	1/8	Screw-in*
02	1/4	
03	3/8	
04	1/2	
06	3/4	
10	1	
12	1 1/4	
14	1 1/2	
C06	(ø6 One-touch fittings size)	One-touch
C08	(ø8 One-touch fittings size)	
C10	(ø10 One-touch fittings size)	

* Only R (PT) is available.

Series

Symbol	Noise reduction level
B1	38dB(A)

Specifications

Fluid	Compressed air
Max. operating pressure	1.0MPa
Noise reduction effect	40dB(A)
Ambient and fluid temperature	5 to 60°C



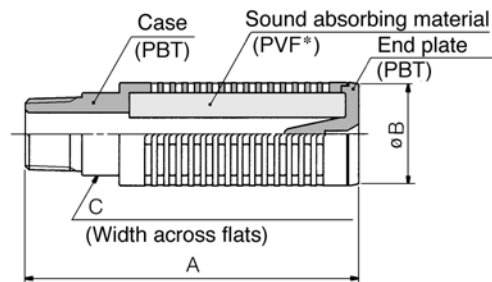
Refer to p.5.2-4 for precautions on these products

Model (Screw-in connection)

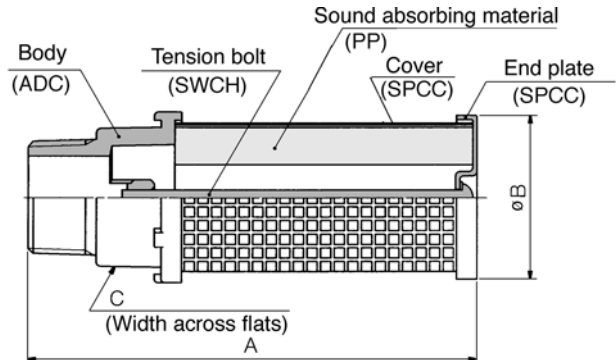
Model	Port size	Effective area (mm ²)	Weight (g)	Dimensions (mm)		
				A	B	C
ANB1-01	1/8	15	10	51	22	—
ANB1-02	1/4	35	22	81	25	18
ANB1-03	3/8	60	35	93	30	21
ANB1-04	1/2	90	94	107	46	24
ANB1-06	3/4	160	175	133	50	41
ANB1-10	1	280	462	190	74	41
ANB1-12	1 1/4	450	612	230	74	60
ANB1-14	1 1/2	610	871	271	86	70

Construction/Parts/Dimensions

ANB1-01 to 04



ANB1-06 to 14

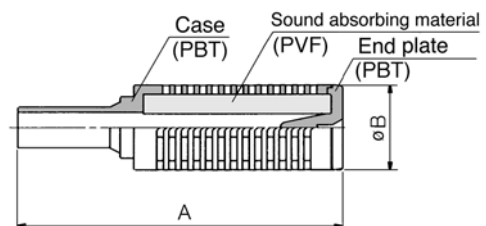


Model (One-touch fitting connection)

Model	One-touch fitting size	Effective area (mm ²)	Weight (g)	Dimensions (mm)	
				A	B
ANB1-C06	ø6	8	5	52	16
ANB1-C08	ø8	13	12	73	22
ANB1-C10	ø10	28	28	94	25

Construction/Dimensions

ANB1-C06 to C10



VEX

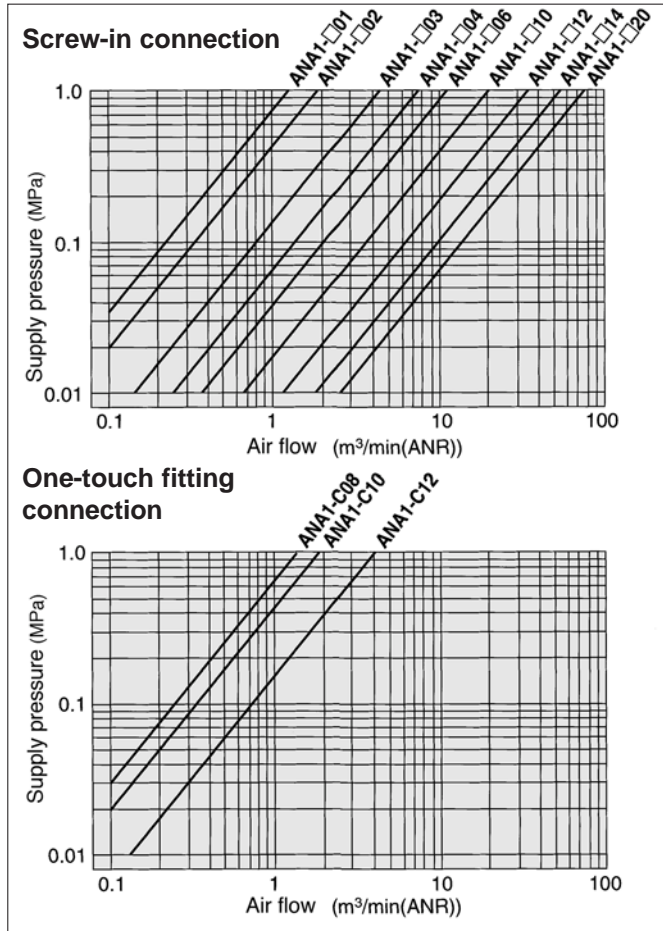
AN

AMC

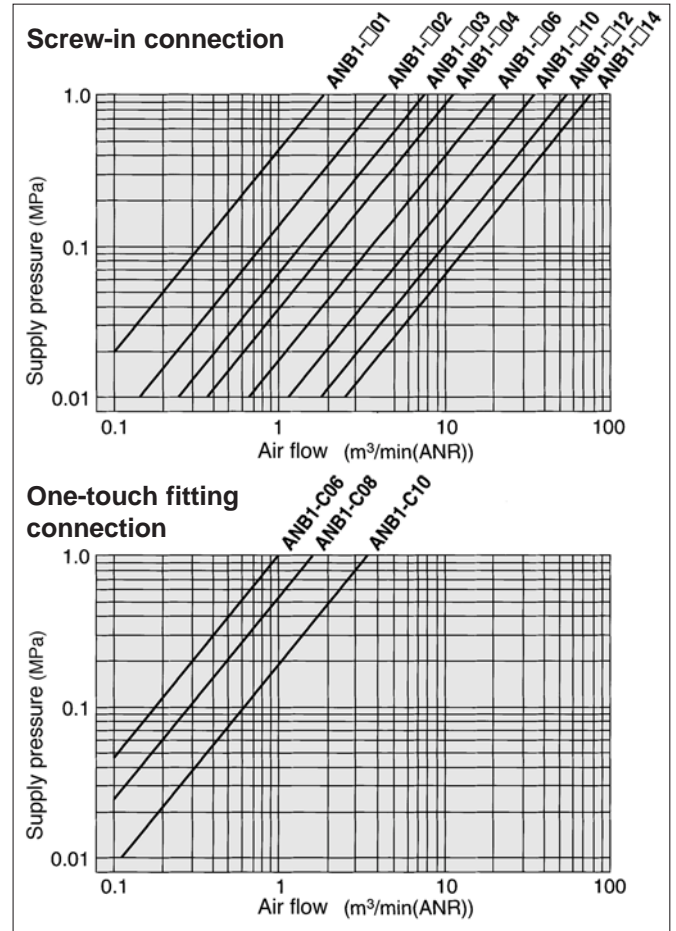
AMP

ANA1/ANB1

Flow Characteristics/ANA1 (Initial conditions)



Flow Characteristics/ANB1 (Initial conditions)



Noise Level (Initial conditions)

