

## YOUR ADVANTAGE

- Quick mounting due to screwless assembly.



Saves time and costs.

Disassembly can be carried out by a small flat screwdriver.

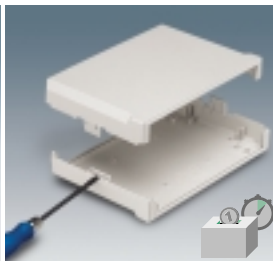
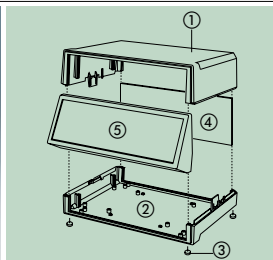
- Secure joining of components by plugging in and snapping together.
- Modern and fashionable design.
- Different heights of cases for individual configurations.
- Sloping control panel available as an accessory for the flat / high combination cases as well as for the high / high combination for MOTEC L.
- Recessed area allows easy assembly of membrane keyboards and is also suitable for mounting LCDs.
- Wide control panel.
- Front and rear panels available as accessory.
- Versions with handle bar for canting the unit (L, M).

## STANDARD COLOURS

Off-white, RAL 9002.  
Fine textured surface.  
Please refer to colour chart on page 228.

## MATERIAL

High-impact Polystyrene (UL 94 HB) or ABS (UL 94 V-0)  
Also available in other materials on request. Please refer to the specifications on pages 229-231.



## MODERN, FUNCTIONAL, AESTHETIC DESIGN.

Specially designed OKW-case system for desktop devices.

Case shells of different heights are combined to give a large range of cases. The cases are available in 3 plan sizes with 3 different heights for each.

## APPLICATIONS

Measuring and control technology, feedback control, peripheral devices and interfaces, switchboxes, modems, medical field and laboratory technology.

- ① Top
- ② Base
- ③ Self-adhesive non slip feet
- ④ Aluminium-Front / rear panel\*
- ⑤ Sloping control panel\*

\* Accessories

## ASSEMBLY / DISASSEMBLY

Clip together mechanism. Disassembly by tool only. (Small flat screw driver)

## EMC

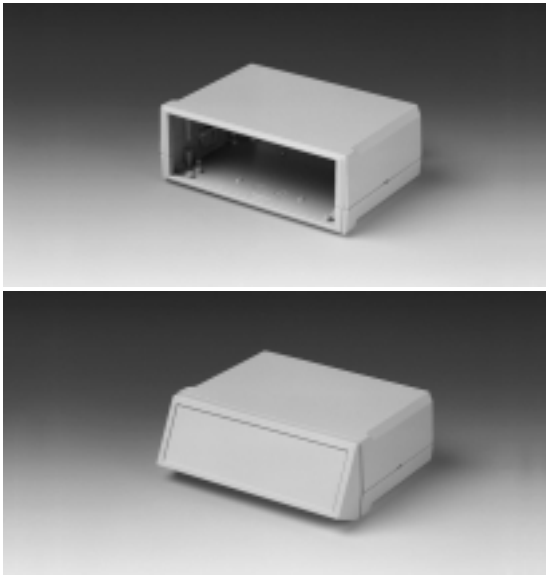
Cases marked with ⚡ are available with aluminium metallization on demand. In order to guarantee secure bonding, an especially conductive front plate has to be used (not part of standard accessory). See pages 226-227.

## SERVICE-CENTER

Machining on modern CNC-controlled machines. Lacquering. Silk screen and tamper printing. See pages 221-227.

## DESIGN

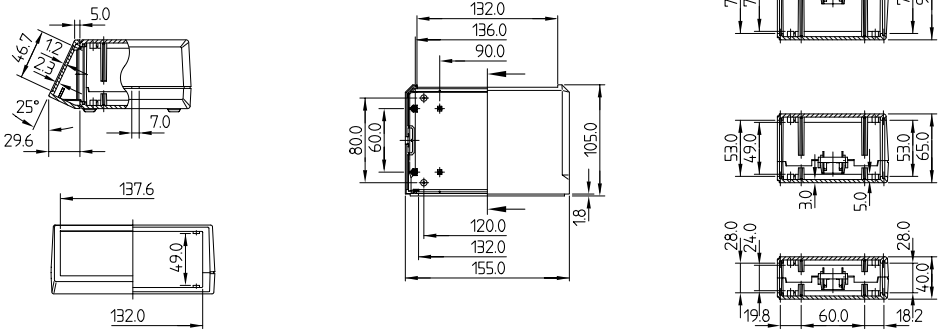
Small-size desktop case. Flat and high case shells are combined. Open front and rear. Vertical guide ridges for aluminium panels are provided at the front and rear. Screw pillars for PCB mounting in both shells. A sloping control panel (accessory) is also available for the flat / high combined case and is fitted into existing guides. Clip together mouldings. Disassembly can be carried out by tool only (small flat screw driver).



## SUPPLY

Top and base.  
4 self-adhesive clear non-slip feet.

Detailed drawing available on demand in dwg, dxf or pdf format.



MOTEC

CASE (Part-No. with $\neq$ see EMC page 140)					Part-No.	
Outside dim. in mm			Colour	Combination	PS (UL 94 HB)	ABS (UL 94 V-0)
L	W	H				
155	105	40	off-white	flat / flat	B 30 15 117 $\neq$	B 30 15 217 $\neq$
155	105	65	off-white	flat / high	B 30 15 127 $\neq$	B 30 15 227 $\neq$
155	105	90	off-white	high / high	B 30 15 137 $\neq$	B 30 15 237 $\neq$
ACCESSORIES						
Article	Colour	Version / Application			PS (UL 94 HB)	ABS (UL 94 V-0)
Sloping control panel	off-white	for flat / high combination			B 31 15 167 $\neq$	B 31 15 267 $\neq$
Front / rear panel	anodized	Al. for flat / flat combination, 136 x 32 x 1.5 mm			B 31 15 100	
Front / rear panel	anodized	Al. for flat / high combination, 136 x 57 x 1.5 mm			B 31 15 110	
Front / rear panel	anodized	Al. for high / high combination, 136 x 82 x 1.5 mm			B 31 15 120	
Set of screws		4 x $\varnothing$ 2.5 x 6 mm, fixing PCBs			A 91 99 008	

## DESIGN

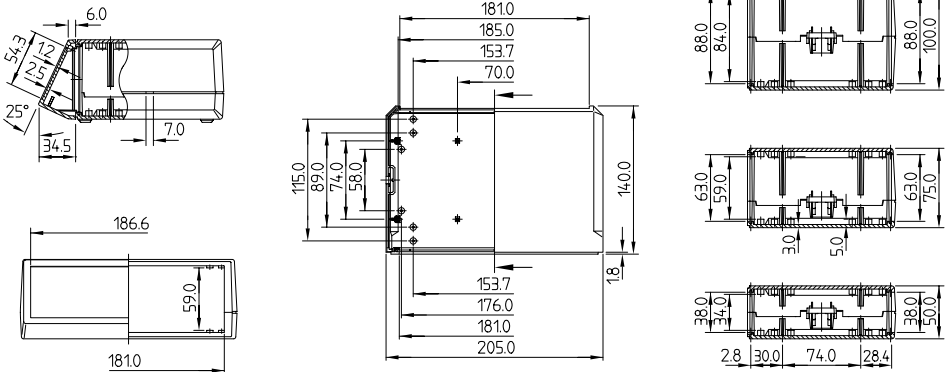
Medium-size desktop case. Flat and high case shells are combined. Open front and rear. Vertical guide ridges for aluminium panels are provided at the front and rear. Screw pillars for PCB mounting in both shells. A sloping control panel (accessory) is also available for the flat / high combined case and is fitted into existing guides. Clip together mouldings. Disassembly can be carried out by tool only ( small flat screw driver).



## SUPPLY

Top and base.  
4 self-adhesive clear non-slip feet.

Detailed drawing available on demand in dwg, dxf or pdf format.



MOTEC

Part-No.		CASE (Part-No. with † see EMC page 140)				
PS (UL 94 HB)	ABS (UL 94 V-0)	Outside dim. in mm		Colour	Combination	
		L	W	H		
B 30 20 117 †	B 30 20 217 †	205	140	50	off-white	flat / flat
B 30 20 127 †	B 30 20 227 †	205	140	75	off-white	flat / high
B 30 20 137 †	B 30 20 237 †	205	140	100	off-white	high / high
ACCESSORIES						
PS (UL 94 HB)	ABS (UL 94 V-0)	Article	Colour	Version / Application		
B 31 20 167 †	B 31 20 267 †	Sloping control panel	off-white	for flat / high combination		
		B 31 20 100	anodized	Al. for flat / flat combination, 185 x 42 x 1.5 mm		
		B 31 20 110	anodized	Al. for flat / high combination, 185 x 67 x 1.5 mm		
		B 31 20 120	anodized	Al. for high / high combination, 185 x 92 x 1.5 mm		
		A 91 99 008		4 x ø 2.5 x 6 mm, fixing PCBs		

## DESIGN

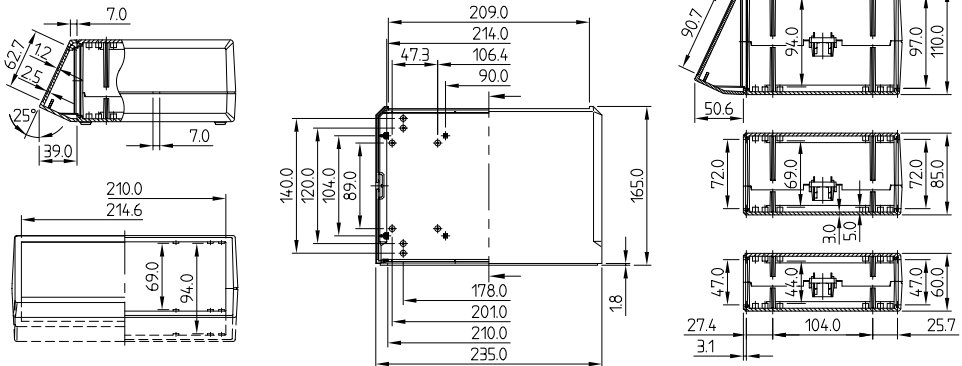
Large size desktop case. Flat and high case shells are combined. Open front and rear. Vertical guide ridges for aluminium panels are provided at the front and rear. Screw pillars for PCB mounting in both shells. A sloping control panel (accessory) is also available for the flat / high and high / high combined case and is fitted into existing guides. Clip together mouldings. Disassembly can be carried out by tool only (small flat screw driver).



## SUPPLY

Top and base.  
4 self-adhesive clear non-slip feet.

Detailed drawing available on demand in dwg, dxf or pdf format.



CASE (Part-No. with ≠ see EMC page 140)					Part-No.		
Outside dim. in mm			Colour	Combination	PS (UL 94 HB)	ABS (UL 94 V-0)	
L	W	H					
235	165	60	off-white	flat / flat	B 30 23 117 ≠	B 30 23 217 ≠	
235	165	85	off-white	flat / high	B 30 23 127 ≠	B 30 23 227 ≠	
235	165	110	off-white	high / high	B 30 23 137 ≠	B 30 23 237 ≠	
ACCESSORIES							
Article	Colour	Version / Application				PS (UL 94 HB)	ABS (UL 94 V-0)
Sloping control panel	off-white	for flat / high combination				B 31 23 167 ≠	B 31 23 267 ≠
Sloping control panel	off-white	for high / high combination				B 31 23 177 ≠	B 31 23 277 ≠
Front / rear panel	anodized	Al. for flat / flat combination, 214 x 52 x 1.5 mm				B 31 23 100	
Front / rear panel	anodized	Al. for flat / high combination, 214 x 77 x 1.5 mm				B 31 23 110	
Front / rear panel	anodized	Al. for high / high combination, 214 x 102 x 1.5 mm				B 31 23 120	
Set of screws		4 x ø 2.5 x 6 mm, fixing PCBs				A 91 99 008	

For flat / high combination with handle bar see page 144.

# MOTEC L AND M WITH HANDLE BAR

## MOTEC L AND M WITH HANDLE BAR

With handle bar in the flat / high case combination.

For carrying and canting the unit. With 30 degrees indexing.

The mounting of the handle bar at the side panels with draft will hardly affect the load capacity and performance.

## STANDARD COLOURS

Off-white, RAL 9002.

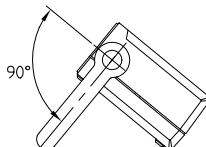
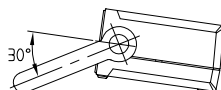
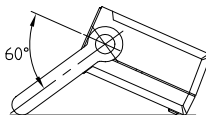
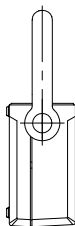
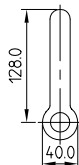
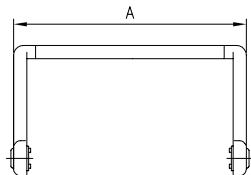
Middle section aluminium profile.

## MATERIAL

Case of high-impact polystyrene (UL 94 HB).  
Side arms and push button of reinforced polyamide.  
Middle section aluminium profile.

## SUPPLY

Case with handle bar.



Part-No. with  $\neq$  see EMC page 140.

For full dimensions refer to pages 142 and 143 flat / high case combinations.

Part-No.	Version with handle bar	Case dimensions in mm			Width of handle bar in mm
		L	W	H	A
B 30 20 147 $\neq$	MOTEC M	205	140	75	237
B 30 23 147 $\neq$	MOTEC L	235	165	85	267
ACCESSORIES					
	Article	For MOTEC with handle bar	Version		
B 31 20 110	Front / rear panel	M	Al anodized, 185 x 77 x 1.5 mm		
B 31 23 110	Front / rear panel	L	Al anodized, 214 x 77 x 1.5 mm		
B 31 20 167 $\neq$	Sloping control panel	M	High-impact polystyrene off-white		
B 31 23 167 $\neq$	Sloping control panel	L	High-impact polystyrene off-white		
A 91 99 008	Set of screws	M & L	4 x $\varnothing$ 2.5 x 6 mm for fixing PCBs		