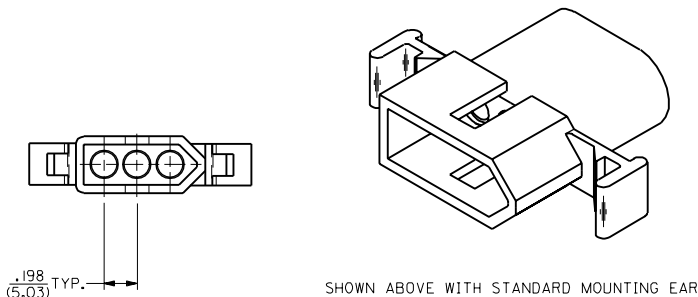
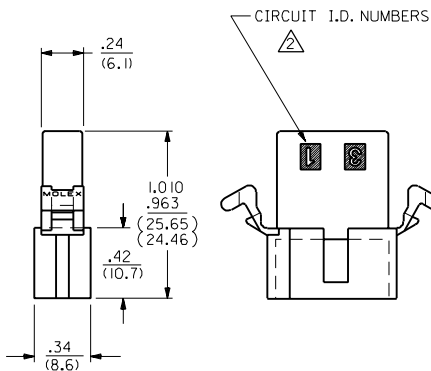
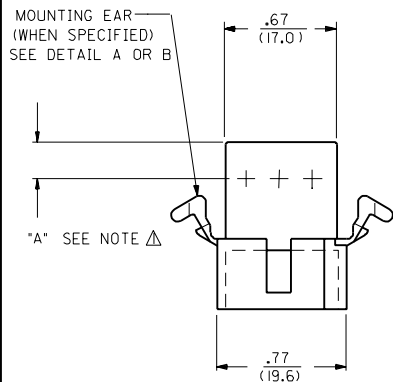
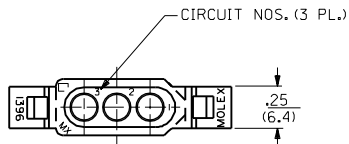
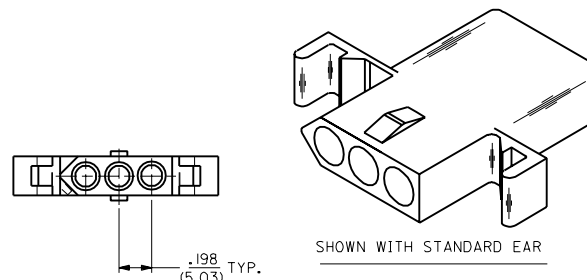
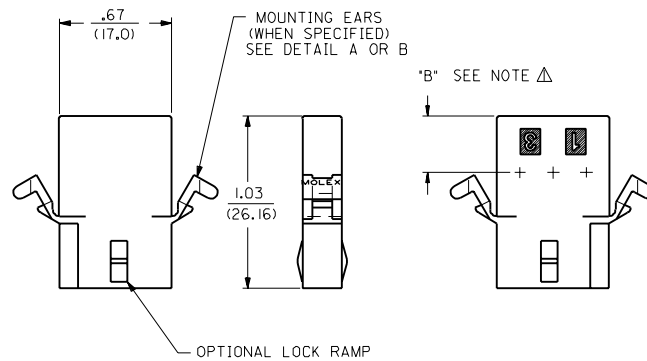
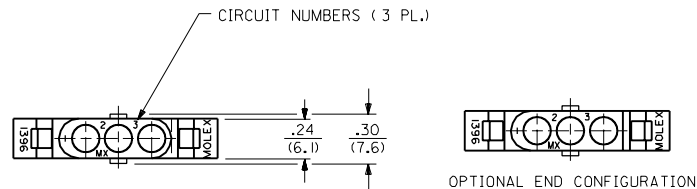


# PLUG



# RECEPTACLE



NOTES:  
 Δ DIMENSION FROM THE BACK OF HOUSING TO THE END OF THE BRUSH ON THE WIRE INSERTED INTO THE HOUSING  
 DIM "A" = .256/6.50 FOR 42477 & 42478 TERMINALS  
 .216/5.49 FOR ALL OTHER .093 TERMINALS  
 DIM "B" = .377/9.58 FOR 42477 & 42478 TERMINALS  
 .337/8.56 FOR ALL OTHER .093 TERMINALS

Y3	REVISED PER UCR2000-0583 3/1/00 DDS		
Y2	REMOVE -R3, -R5 VER. PER ECR #UG 1479 6-10-96 RW		
Y1	X-REMOVE 1396-R4 ECR U3 1583 GC 10/26/93 RW		
Y	ADD CKT. I.D. #'S PER ECR U3 0683 GC 5/4/93 RW		
X	REV MAT'L SPECS. ECR U2-1491 10-08-92 A.GUZIK		
W1	ADD -D VERSIONS. ECR U1 1106 GC 7/25/91 RW		
W	REVISE ON CAD ECR #UB 1381 JJS 4-24-88 RW		
2	Y2		
1	Y3		
MFG. SH.	REV.	LTR.	REVISIONS

DIMENSIONS SHOWN METRIC (INCH)		▽ = 0	▼ = 0	REVISE ONLY ON CAD SYSTEM
UNLESS OTHERWISE SPECIFIED TOLERANCES ANGULAR ± 1/2°		TITLE		
		.093/(2.36) HOUSING, PLUG & RECEPTACLE		
		3 CIRCUIT .198/(5.03) C		
		MOLEX INCORPORATED		
		L15LEJLL 60532 U.S.A. 1 of 2 4/3/88		
PART NO.		DRAWG. NO.		DATE
SEE SHEET 2		SD-1396-•		4/3/88
DRAWN BY	CHKD. BY	FILE NAME	DIV.	SIZE
RAS	RW	S1396.3X1	CP	C
APP'D.	SCALE	THIS DRAWING CONTAINS INFORMATION THAT IS PROPRIETARY TO MOLEX INC. AND SHOULD NOT BE USED WITHOUT WRITTEN PERMISSION.		
	2 : 1			

13 12 11 10 9 8 7 6 5 4 3 2 1

PLUG		RECEPTACLE	
ORDER NO.	ENG. NO.	ORDER NO.	ENG. NO.
03-09-2031	I396-P	03-09-1031	I396-R
03-09-2032	I396-P1	03-09-1032	I396-R1
03-09-7032	I396-P1BK	03-09-1033	I396-R2
03-09-7031	I396-PBK	03-09-6033	I396-R2BK
PRELIMINARY	I396-P-B	03-09-6032	I396-R1BK
		03-09-6031	I396-RBK
		PRELIMINARY	I396-R-B
		PRELIMINARY	I396-R1-B
		03-09-1081	I396-R4

**LEGEND:**

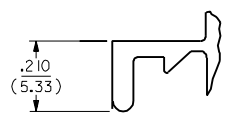
I396-\*\*\*\*\*

P = PLUG  
R = RECEPTACLE

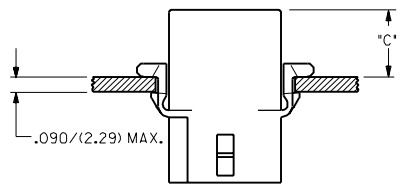
BLANK = WITH STANDARD EARS  
 1 = WITHOUT EARS  
 2 = RECEPTACLE WITHOUT EARS, WITHOUT LOCK RAMP  
 3 = PLUG ONLY, W/ SIDE MOUNT (SEE SD-I396-P3)  
 4 = WITH PREBENT EARS

COLOR: BLANK=NATURAL COLOR  
 AM=AMBER BK=BLACK BU=BLUE  
 BN=BROWN CY=GRAY GN=GREEN  
 OR=ORANGE RD=RED YW=YELLOW

BLANK = NYLON 6/6, 94V-2  
 B = NYLON TYPE 6/6, 94V-2, UV STABILIZED



**DETAIL A**  
STANDARD MOUNTING EAR  
(SCALE 4:1)

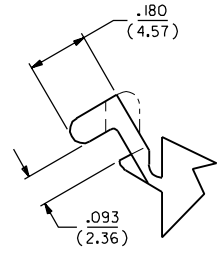
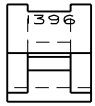


RECOMMENDED PANEL MOUNTING HOLE

HOUSING	DIM. "A"	DIM. "B"	"C" PREBENT EAR	"C" STANDARD EAR
PLUG	.933/(23.70)	.375/(9.53)	.40/(10.2)	.38/(9.7)
RECEPT.	.830/(21.08)	.312/(7.92)	.41/(10.4)	.39/(9.9)

**NOTES:**

- 1. MOLEX PRODUCT SPEC 02-09 APPLIES.
- 2. CIRCUIT I.D. NUMBERS ON SIDE OF HOUSING APPEAR ON PARTS FROM TOOLS BUILT AFTER 5/4/93.



**DETAIL B**  
PREBENT MOUNTING EAR  
(SCALE 4:1)

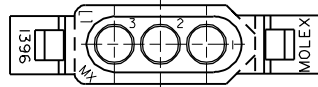
I396

I396

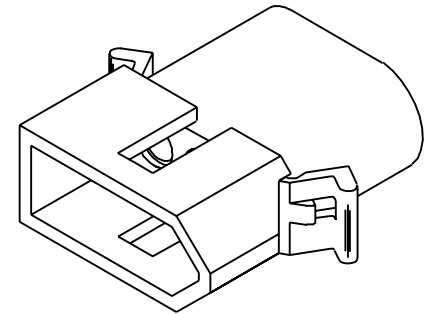
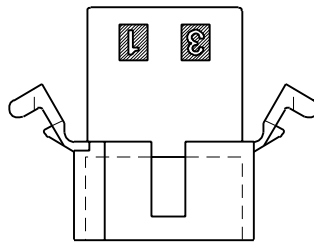
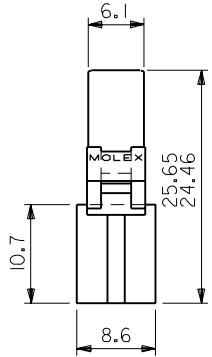
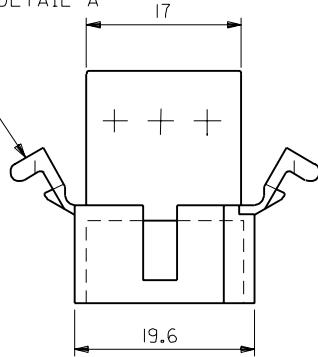
DIMENSIONS SHOWN (METRIC) INCH		▽=0 ▼=0		REVISE ONLY ON CAD SYSTEM	
UNLESS OTHERWISE SPECIFIED TOLERANCES ARE AS SHOWN					
INCH		METRIC			
3 PLACE	± .010	---			
2 PLACE	± .014	± 0.25			
1 PLACE	---	± 0.35			
DRAFT WHERE APPLICABLE MUST REMAIN WITHIN DIMENSIONS					
DRWG. BY: JJS	CHK'D. BY: RW	FILE NAME: S13962X2	SCALE: :	THIS DRAWING CONTAINS INFORMATION THAT IS PROPRIETARY TO MOLEX INC. AND SHOULD NOT BE USED WITHOUT WRITTEN PERMISSION.	
APP'D. BY: RAS	SCALE: :	MOLEX INCORPORATED		DATE: 4/8/88	
LTR. REVISIONS		LTR. REVISIONS		PART NO. SD-1396-*	

13 12 11 10 9 8 7 6 5 4 3 2 1

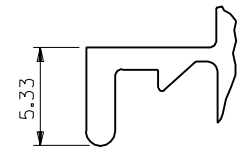
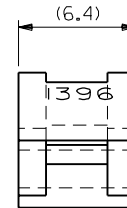
DWG. NO.  
SD-1396-002



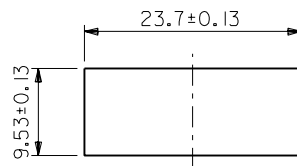
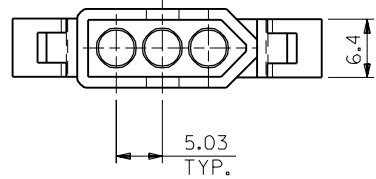
MT'G EARS (表参照)  
参照 DETAIL A



PLUG



DETAIL A  
(SCALE 4:1)



パネル取付穴寸法  
(パネル厚 2.29最大)

1396P1	03-09-2032	無	WITHOUT
1396P	03-09-2031	有	WITH
ENG. NO.	EDP NO.		MT'G EARS

MODEL NO. 03-09-2\*\*\* DIMENSIONS: SHT | REV

SCALE 2:1 DESIGN UNITS  mm  INCH THIRD ANGLE PROJECTION  mm  INCH  mm ONLY REVISE ON CAD ONLY

DRAWN BY & DATE  
K.KOHAMA 00/08/28

TITLE:  
3 CIRCUITS PLUG HSG  
(0.093 DIA TERMINAL)

CHECKED BY & DATE  
T.YAMAGUCHI 00/08/28

MOLEX INCORPORATED

APPROVED BY & DATE  
M.FUKUSHIMA 00/08/28

CAD FILENAME  
1396002.S01

MATERIAL NO. SEE NOTES  
DRAWING NO. SD-1396-002

SHEET NO. 1 OF 1

THIS DRAWING CONTAINS INFORMATION THAT IS PROPRIETARY TO MOLEX INCORPORATED AND SHOULD NOT BE USED WITHOUT WRITTEN PERMISSION. SIZE B

DO NOT SCALE DRAWING

EC NO. DRWN: CH'K: APPR:  
EC NO. DRWN: CH'K: APPR:  
EC NO. DRWN: CH'K: APPR:  
EC NO. DRWN: CH'K: APPR:

RELEASED  
EC NO. JC2001-0078  
DRWN: K.KOHAMA 00/08/28  
CH'K: T.YAMAGUCHI  
APPR: M.FUKUSHIMA

MATERIAL 材料  
NYLON66  
94V-2  
FINISH 仕上り  
WIRE RANGE 適用電線範囲  
INS. RANGE 設置条件

GENERAL TOLERANCES: (UNLESS SPECIFIED) 一般公差  
10 UNDER 未満 ±0.25  
10 OVER 以上 30 UNDER 未満 ±0.25  
30 OVER 以上 ±0.35  
ANGLE 角度 +3°

EN-02J(O97) MXJ-54