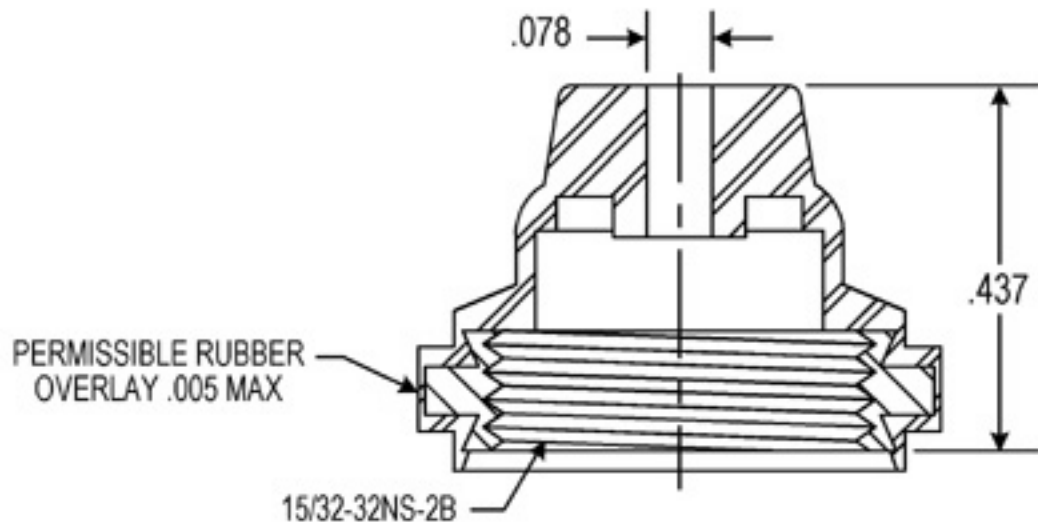
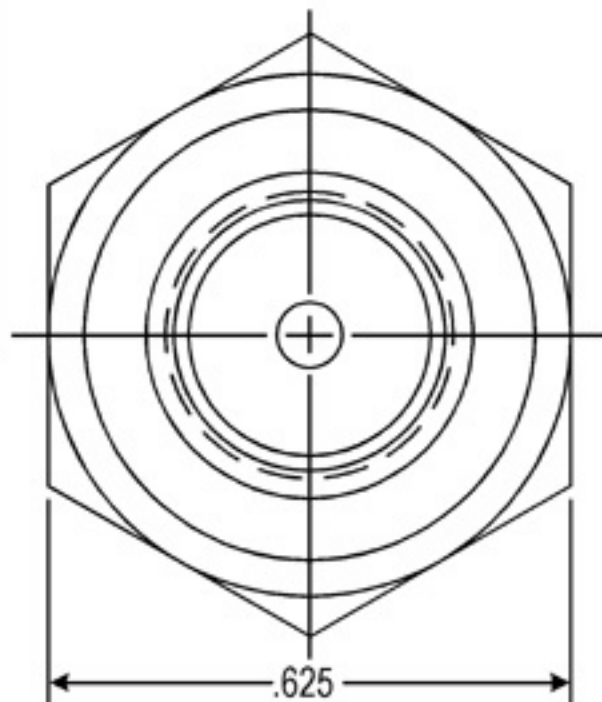


SPECIFICATIONS

Material: HEXSEALS: Silicone rubber conforms to ZZ-R-765 Class III, GR 50 (unless otherwise specified)
Mounting Nut: HEXSEALS: Brass, nickel-plated
Temperature Range: HEXSEALS: -94°F to +400°F
Pressure Range: Exceeds 15 psi internal and 1500 psi external. (N5032B: 10 psi)
Operational Life: 50,000 actuations (minimum).
Shelf Life: Excess of 25 years.
Resistant to: Salt spray, sunlight, ozone, weather, fungus, and most acids and lubricating oils
Military Approvals: Most HEXSEALS are QPL-approved to MIL-B-5423.
Agency Recognition: E-SEALS and HEXSEALS are UL-listed to UL Std. 50 types 1-13, and meet CSA standards.
Installation: If a reducing adaptor is required - see page 14 of HEXSEAL catalog HEX200 for part numbers and drawing.



E	CAD COMPUTER GENERATED	9-23/02
D	REDRAWN	10-11-74
REV.	DESCRIPTION	DATE
	BOOT TOGGLE SWITCH	
	EXPOSED BAT (N-1030B)	
	APM-HEXSEAL CORPORATION	
	SCALE 4:1	
	DWG. NO. (N-1030B)	
		HEXSEAL®

MAXIMUM AND MINIMUM MEASUREMENTS ARE STATED DIRECTLY ON EACH DIMENSION.

MAT'L: SILICONE RUBBER PER ZZ-R-765 CLIII GR50

FINISH: GRAY

THIS DRAWING COVERS PROPRIETARY ITEM AND IS THE PROPERTY OF THE APM-HEXSEAL CORPORATION. THIS DRAWING IS NOT TO BE COPIED OR USED WITHOUT THE WRITTEN APPROVAL OF AN OFFICER OF THE APM-HEXSEAL CORPORATION.