

SPECIFICATIONS

Material: HEXSEALS: Silicone rubber conforms to ZZ-R-765 Class III, GR 60 unless otherwise specified.

Mounting Nut: HEXSEALS: Brass, nickel-plated (unless otherwise noted)

Temperature Range: HEXSEALS: -94°F to +400°F

Pressure Range: Exceeds 15 psi internal and 1500 psi external.

Operational Life: 50,000 actuations (minimum).

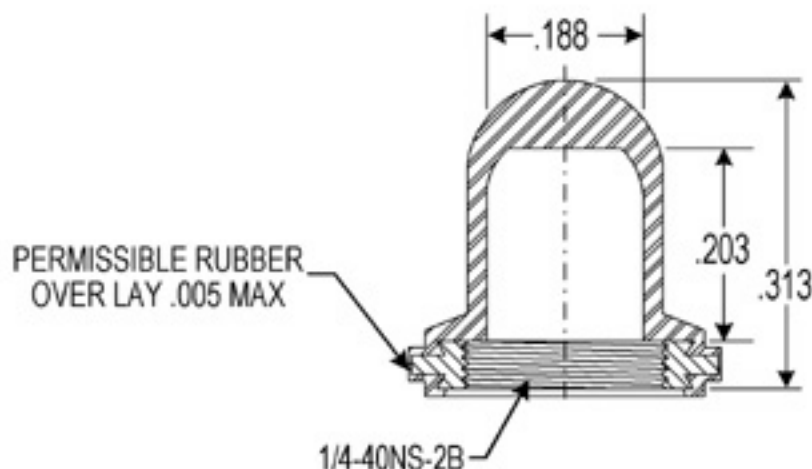
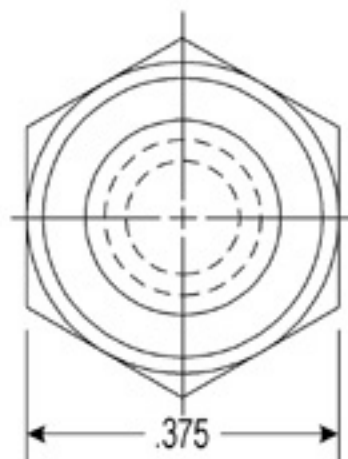
Shelf Life: Excess of 25 years.

Resistant to: Salt spray, sunlight, ozone, weather, fungus, and most acids and lubricating oils

Military Approvals: Most HEXSEALS are QPL-approved to MIL-B-5423.

Agency Recognition: E-SEALS and HEXSEALS are UL-listed to UL Std. 50 types 1-13, and meet CSA standards.

Installation: If a reducing adaptor is required – see page 14 of HEXSEAL catalog HEX200 for part numbers and drawing.



I	CAD COMPUTER GENERATED		9/23/02
H	UPDATED, ADDED ORDER NUMBERS, DWG NO. WAS 12/31/SERIES		W.P. 11-24-76
G	UPDATED		R.C. 8-4-24
F	REDRAWN		TONY C. 12-11-69
REV.	DESCRIPTION		DATE
MAXIMUM AND MINIMUM MEASUREMENTS ARE STATED DIRECTLY ON EACH DIMENSION.		TITLE: BOOT, PUSH BUTTON SWITCH (N5040R)	ENG. M.MORSE 1-21-60
MAT'L: SILICONE RUBBER ZZ-R-765 CLIII GR 60			DWN. S.ANDREWS 1-21-60
FINISH: GRAY		APM-HEXSEAL CORPORATION	CHKD. B.GLICKSMAN 1-21-60
		SCALE 4:1	DWG. NO. (N5040R) HEXSEAL®

THIS DRAWING COVERS PROPRIETARY ITEM AND IS THE PROPERTY OF THE APM-HEXSEAL CORPORATION. THIS DRAWING IS NOT TO BE COPIED OR USED WITHOUT THE WRITTEN APPROVAL OF AN OFFICER OF THE APM-HEXSEAL CORPORATION.