

GP Batteries

Data Sheet

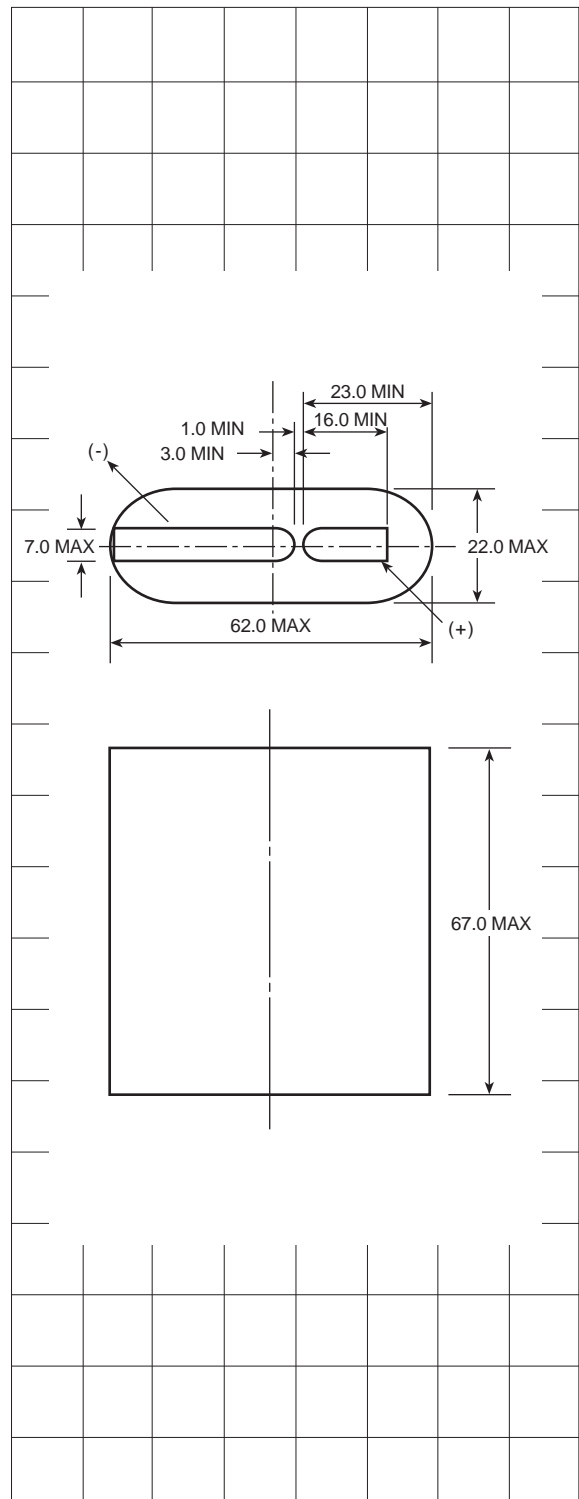
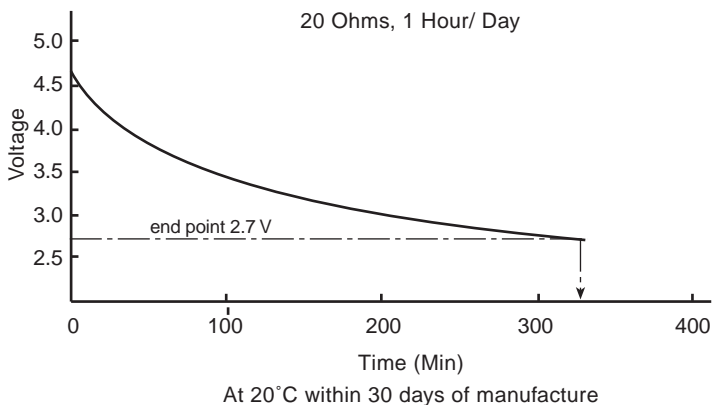
Model No.: GP312S

NO MERCURY ADDED

Description : Heavy Duty, 3R12
 Chemical System : Carbon Zinc
 Nominal Voltage : 4.5 Volts
 Nominal Dimensions : 22.0 mm x 62.0 mm x 67.0 mm
 Terminals : Brass positive(+) and brass negative(-)
 Jacket : Plastic jacket, ultrasonic welded
 Applications : Head lamp, bicycle lamp & pocket lamp.
 Shelf Life : 24 months
 Average Weight : 110gm
 Date Code : Unless otherwise specified, every battery will carry an expiry date code for 24 months. (e.g. a battery manufactured on January 2000 will carry an expiry code of 01-02.) 01 stands for January, 02 stands for 2002

Estimated Service:

Discharge Resistance	Discharge Condition	End Point Voltage	Service Life
220 Ohms	4 Hrs/ Day	2.7V	99 Hrs
20 Ohms	1 Hr/ Day	2.7V	324 Mins



Cross References:

GP	JIS	IEC	Eveready	Other
312G	3R12	3R12	1289/AD28	210



Manufacturer reserves the right to alter or amend the design, model and specification without prior notice.

0501011106