

4

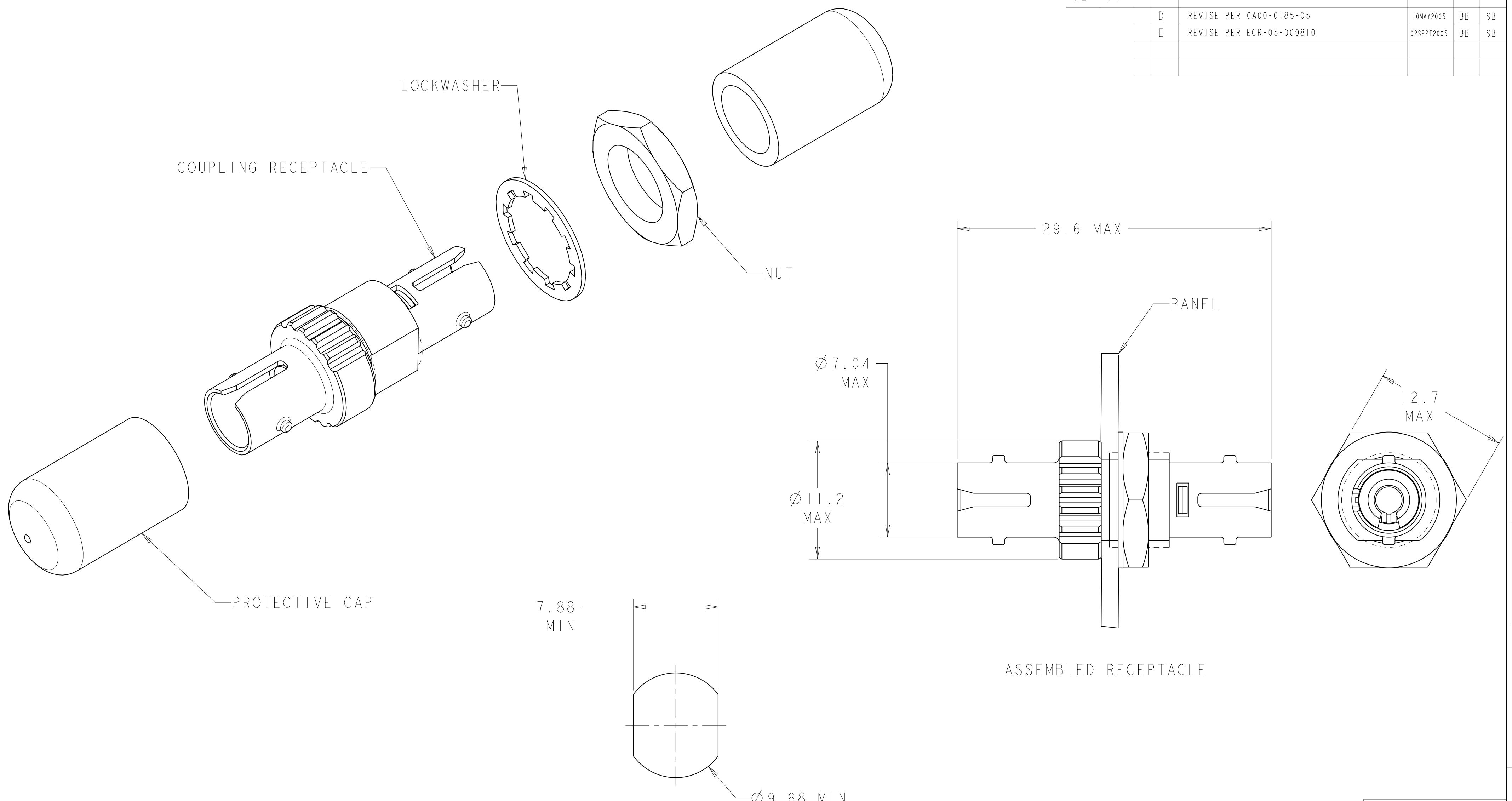
3

2

1

THIS DRAWING IS UNPUBLISHED. RELEASED FOR PUBLICATION 20  
 © COPYRIGHT 20 BY TYCO ELECTRONICS CORPORATION. ALL RIGHTS RESERVED.

LOC	DIST	REVISIONS					
CE	00	P	LTR	DESCRIPTION	DATE	DWN	APVD
		D		REVISE PER 0A00-0185-05	10MAY2005	BB	SB
		E		REVISE PER ECR-05-009810	02SEPT2005	BB	SB



**MATERIAL:**  
 PROTECTIVE CAP: VINYL  
 LOCKWASHER: STAINLESS STEEL  
 NUT: NICKEL PLATED BRASS  
 COUPLING RECEPTACLE  
 HOUSING: ZINC  
 RETAINER: PBT, COLOR: WHITE, UL94 V-0 RATED AT QUALIFYING THICKNESS.  
 SLEEVE: PPS-GF40, COLOR: BLACK, UL94 V-0 RATED AT QUALIFYING THICKNESS.

**BULK PACKAGE.**

SUGGESTED PANEL CUTOUT

ASSEMBLED RECEPTACLE

501381-2
501381-1
PART NUMBER

<small>THIS DRAWING IS A CONTROLLED DOCUMENT FOR TYCO ELECTRONICS CORPORATION          IT IS SUBJECT TO CHANGE AND THE CONTROLLING ENGINEERING ORGANIZATION          SHOULD BE CONTACTED FOR THE LATEST REVISION.</small>		DWN B. BRIGGS	10MAY2005	Tyco Electronics Harrisburg, PA 17105-3608
DIMENSIONS: mm		CHK S. BUCHTER	0MAY2005	
TOLERANCES UNLESS OTHERWISE SPECIFIED: 0 PLC ± 1 PLC ± 2 PLC ±0.13 3 PLC ± 4 PLC ± ANGLES ±		APVD S. BUCHTER	0MAY2005	NAME COUPLING RECEPTACLE KIT, 2.5mm BAYONET
MATERIAL 		PRODUCT SPEC	-	SIZE A2
FINISH 		APPLICATION SPEC	-	CAGE CODE 00779
WEIGHT 		WEIGHT	-	DRAWING NO C=501381
CUSTOMER DRAWING		RESTRICTED TO	-	SCALE 4:1
		SCALE	4:1	SHEET 1 OF 1
		REV	E	