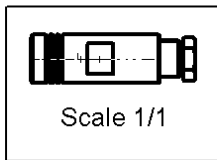
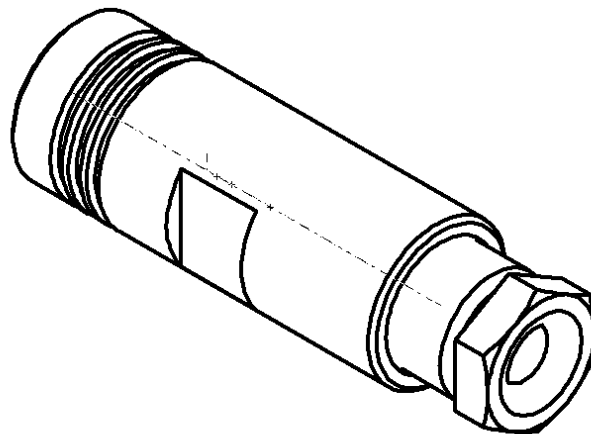
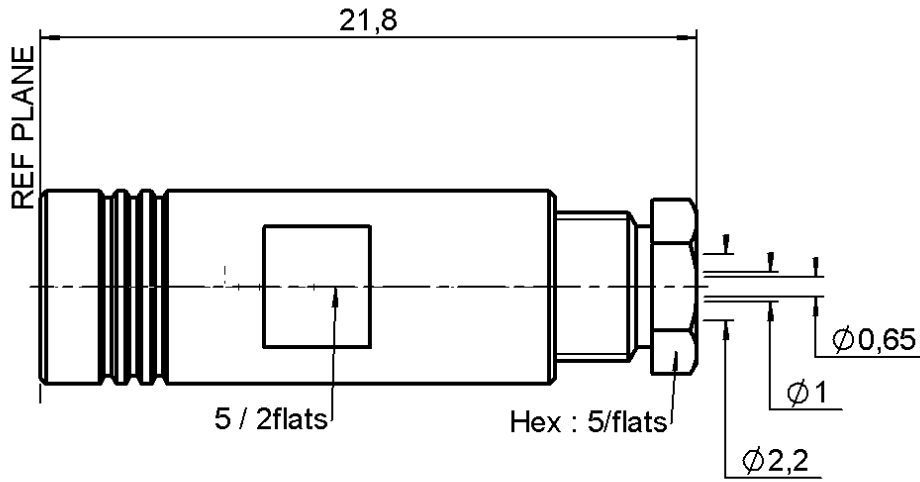


STRAIGHT PLUG CLAMP TYPE

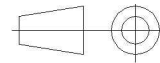
R114.003.000

CABLE 2/50 S

Series : SMB



All dimensions are in mm.



COMPONENTS	MATERIALS	PLATINGS (µm)
BODY	BRASS	GOLD 0.2 OVER NICKEL 2
CENTER CONTACT	BERYLLIUM COPPER	GOLD 1.3 OVER NICKEL 2
OUTER CONTACT	BERYLLIUM COPPER	GOLD 0.5 OVER NICKEL 2
INSULATOR	PTFE	
GASKET	CHLOROPRENE	
OTHERS PARTS	BRASS	GOLD 0.2 OVER NICKEL 2
-	-	-
-	-	-

Issue : 0422 K

In the effort to improve our products, we reserve the right to make changes judged to be necessary.



STRAIGHT PLUG CLAMP TYPE

R114.003.000

CABLE 2/50 S

Series : SMB

PACKAGING

Standard	Unit	Other
100	'W' option	Contact us

SPECIFICATION

- -QAE 06-02AQAE 06-02A

CABLE ASSEMBLY

Stripping	a	b	c	d	e	f
mm	0.50	0.00	4.50	4.50	1.20	0.00

ELECTRICAL CHARACTERISTICS

Impedance		50	Ω
Frequency		0-4	GHz
VSWR	1.30 +	0.040	x F(GHz) Maxi
Insertion loss		0.25	\sqrt{F} (GHz) dB Maxi
RF leakage	- (57	- F(GHz)) dB mini
Voltage rating		250	Veff Maxi
Dielectric withstanding voltage		750	Veff mini
Insulation resistance		1000	M Ω mini

Assembly instruction :

Recommended cable(s)
 RG 178
 RG 196
 RG 178 LC
 KX 21

MECHANICAL CHARACTERISTICS

Center contact retention			
Axial force – Mating end		10	N mini
Axial force – Opposite end		10	N mini
Torque		NA	N.cm mini

Cable retention

- pull off	58	N mini
- torque	.5	N.cm

TOOLING

Part Number	Description	Hexagon
.	.	.

Recommended torque			
Mating		NA	N.cm
Panel nut		NA	N.cm
Clamp nut		40	N.cm
A/F clamp nut		5.000	mm

Mating life		500	Cycles mini
Weight		3.000	g

OTHERS CHARACTERISTICS

ENVIRONMENTAL

Operating temperature		-55°/+100	$^{\circ}$ C
Hermetic seal		NA	Atm.cm3/s
Panel leakage		NA	

Issue : 0422 K

In the effort to improve our products, we reserve the right to make changes judged to be necessary.



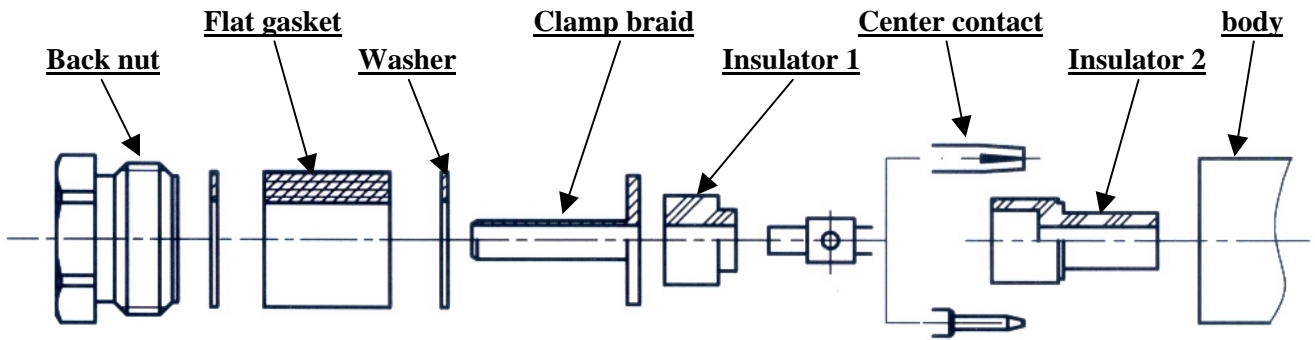
RADIALL ®

STRAIGHT PLUG CLAMP TYPE

R114.003.000

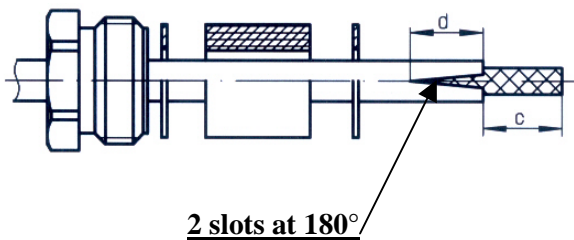
CABLE 2/50 S

Series : SMB



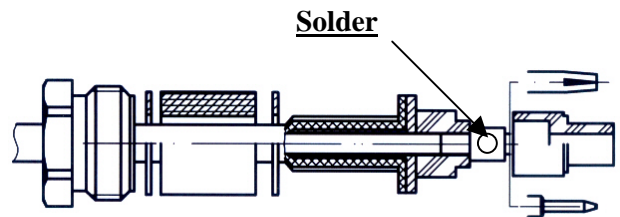
1

Slide the back nut, the first washer, the flat gasket, the second washer onto the cable.
Strip the cable.
Cut 2 slots in the jacket if necessary.



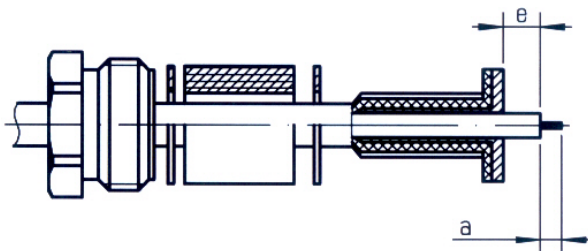
3

Slide the first insulator.
Slide the center contact and solder.
Slide the second insulator



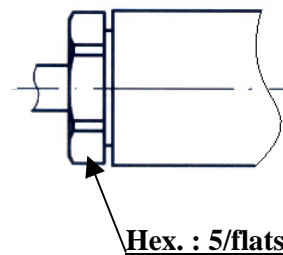
2

Slide the clamp braid sleeve.
Cut the braid flush with the clamp braid sleeve.
Strip off the diélectric.



4

Screw sub-assembly into the connector body with the adapted wrench.
Recommended coupling torque (see connector TDS).



Issue : 0422 K

In the effort to improve our products, we reserve the right to make changes judged to be necessary.

