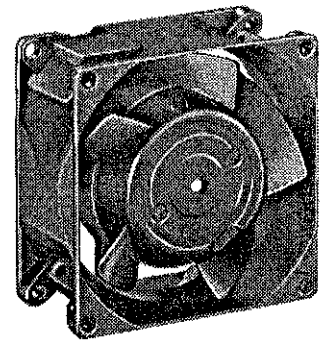


8560 N AC Axial Fan

Specially dual voltages compact axial fan. Aerodynamically shaped, all metal construction. Driven by shaded pole motor. External rotor dynamically balanced in two plates. 5 fan blades made of sheet steel directly welded to the rotor.



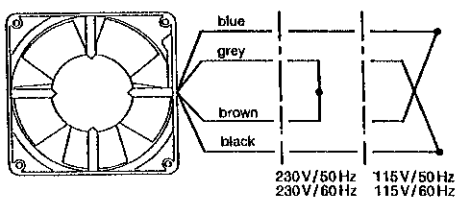
Features

- Overload protection (impedance protected).
- For maintenance-free continuous operation.
- Any mounting position.
- Type of protection IP 20 to DIN 40 050.

General Data

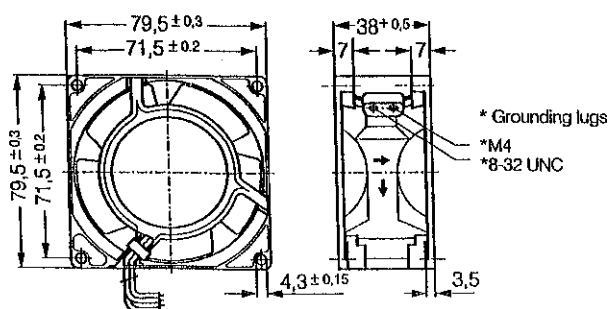
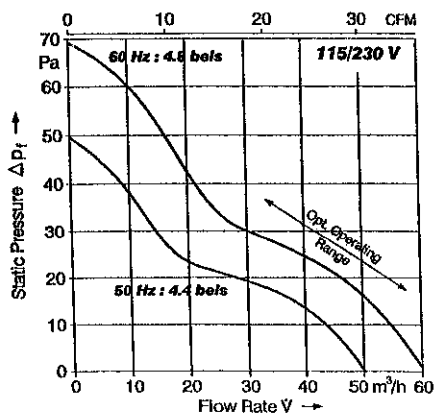
Nominal voltage	V AC	115		230	
Frequency	Hz	50	60	50	60
Power consumption	W	12	11	12	11
Nominal speed	min ⁻¹	2800	3300	2800	3300
Max. flow rate	m ³ /h	47	58	47	58
Max. flow rate	CFM	27,5	34	27,5	34
Noise free air	dB(A)	31	35	31	35
Noise in opt. operating range	bels	4,5	5,0	4,5	5,0
Perm. Ambient temperature	°C	-40...+90	-40...+95	-40...+90	-40...+95
Service life at t _{max}	h	15000	15000	15000	15000
Service life (40°C)	h	40000	42500	40000	42500

Connection Scheme for dual voltage fans



Fan housing / impeller	metal	
Bearing system	Sleeve bearings	
Mass	kg	0,49

All data are average figures at nominal voltage Subject to technical change



Electrical connection via 4 leads AWG 22, TR 64, 310 mm long.